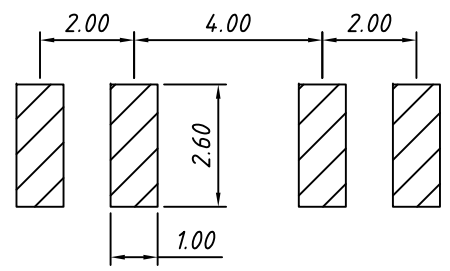
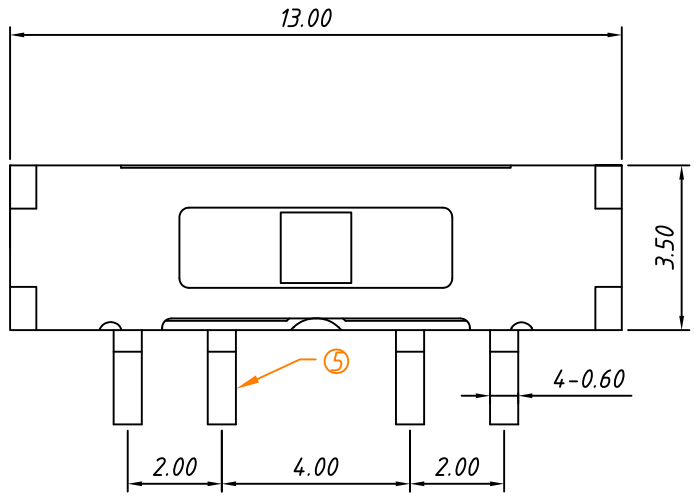
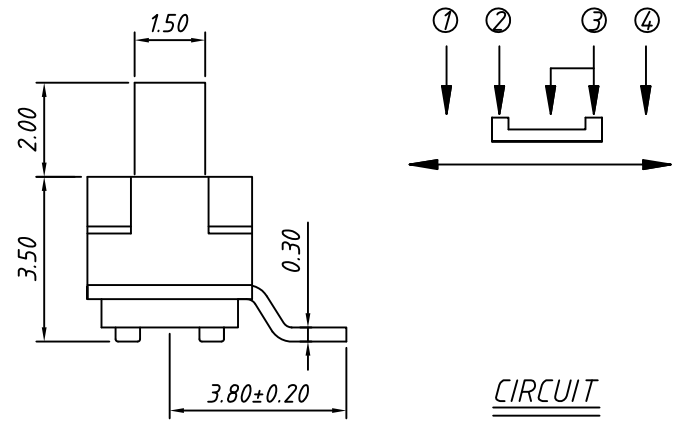
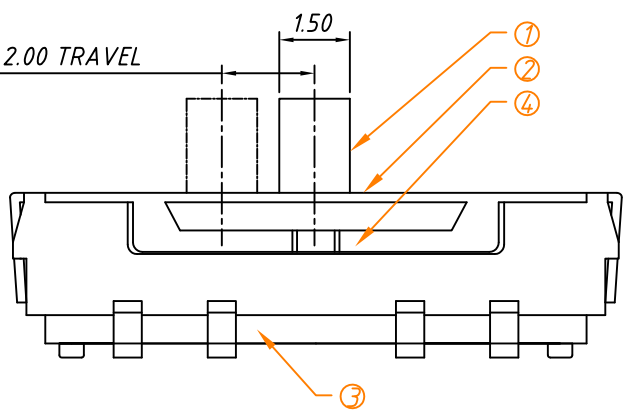


1
RoHS Compliance



PCB LAYOUT



CIRCUIT

ELECTRICAL
 Rating: 0.3A 30V DC
 Function: 1P3T
 Timing: Non-shorting
 Contact Resistance: 80mΩ Max.
 Insulation Resistance: 100MΩ Min. at 500V DC
 Dielectric Strength: AC 500V for 1 min
 Operating Temper: -20°C ~ +80°C
 Operating Force: 200 ± 50gf
 Life Test: 10000 Cycles

Order Information:
 L-KLS7-MSS-1336S -X B
 RoHS _____
 1P3T _____
 STEM Color: _____
 B-Black
 PACKING: B-BAG _____

5	TERMINAL A/B/C	C2680	Ag PLATED	8
4	CONTACT	C5210	Ag PLATED	2
3	BOTTOM	PA46	Black	1
2	COVER	SUS	Natural	1
1	STEM	PA46	Black	1
NO.	PARTS	MATERIAL	FINISHING & COLOR	Q'TY

GENERAL TOLERANCE	PROJECTION		Description:
X. ±0.20	UNITS	mm	Mini Slide Switch,
	SCALE	1:1	13.0x3.5x3.5mm, 1P3T SMD Vertical
	Draw by:	Daniel	KLS P/N: L-KLS7-MSS-1336S
ANGLE TOLERANCE	Check by:	Daniel	NingBo KLS ELECTRONIC CO.,L TD.
±3°	Date	2020-08-30	
	SHEET	1 OF 1	