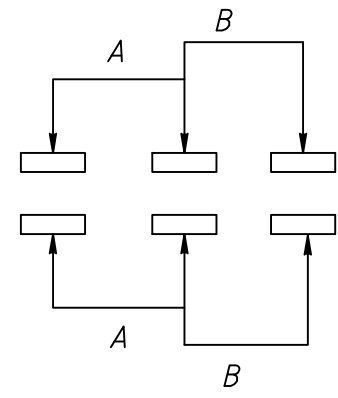
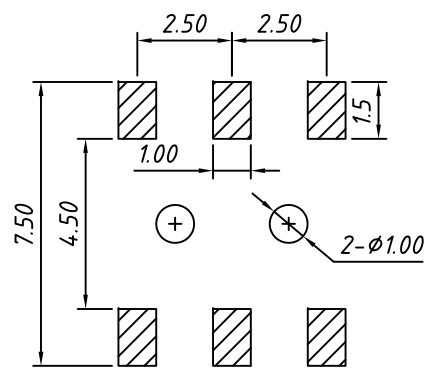
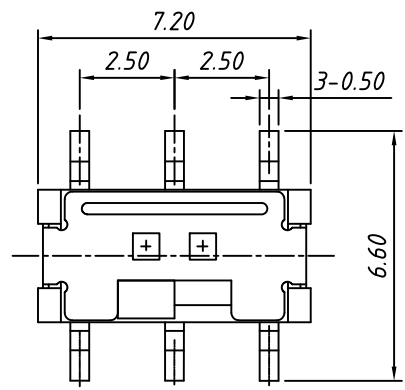
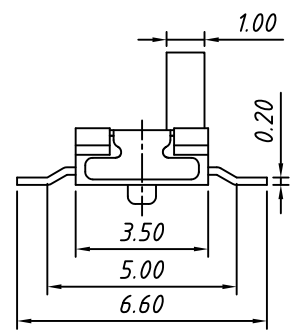
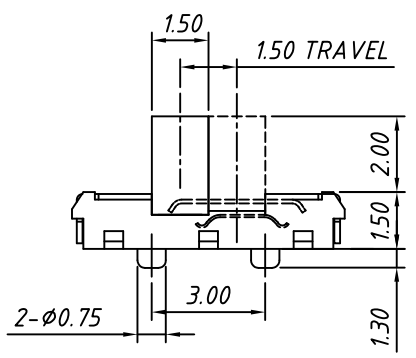


1 RoHS Compliance



PCB LAYOUT

CIRCUIT



ELECTRICAL
 Rating: 0.3A 30V DC
 Function: 2P2T
 Timing: Non-shorting
 Contact Resistance: 70mΩ Max.
 Insulation Resistance: 100MΩ Min. at 500V DC
 Dielectric Strength: AC 500V for 1 min
 Operating Temper: -20°C ~ +75°C
 Operating Force: 170 ± 50gf
 Life Test: 10000 Cycles
 PACKING: 1000PCS/Reel

Order Information:
 L-KLS7-MSS-2247N
 RoHS
 DPDT

6	STRETCH PIECE	SUS	NATURAL	1
5	TERMINAL	C2680	Ag PLATED	6
4	CONTACT	C5210	Ag PLATED	1
3	BOTTOM	LCP	Black	1
2	COVER	SUS	NATURAL	1
1	STEM	PA6T	Black	1
NO.	PARTS	MATERIAL	FINISHING & COLOR	Q'TY

GENERAL TOLERANCE	PROJECTION		Description: Mini Slide Switch,
X. ±0.20	UNITS	mm	7.2x3.5x1.5mm, DPDT SMD Vertical
	SCALE	1:1	
	Draw by:	Daniel	KLS P/N: L-KLS7-MSS-2247N
ANGLE TOLERANCE	Check by:	Daniel	NingBo KLS ELECTRONIC CO.,L TD.
±3°	Date	2020-08-30	
	SHEET	1 OF 1	