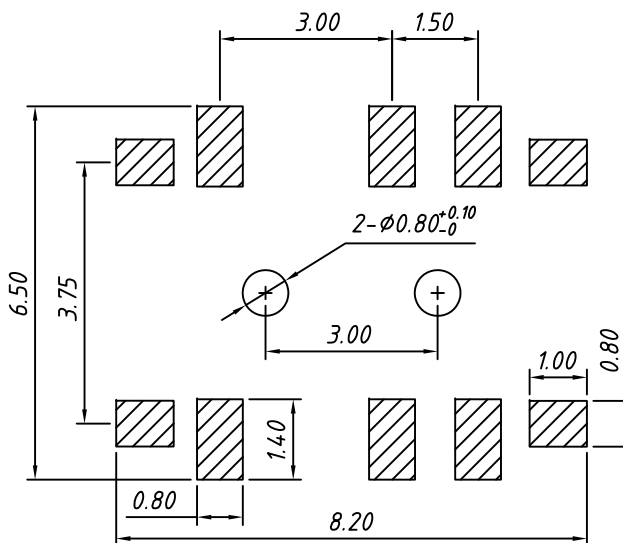
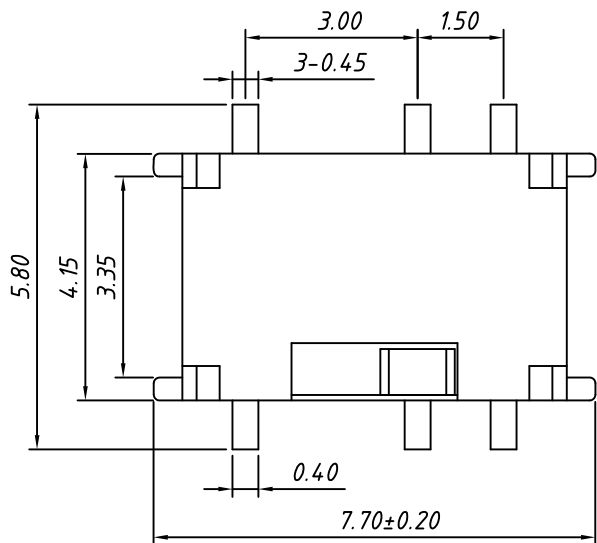


RoHS Compliance

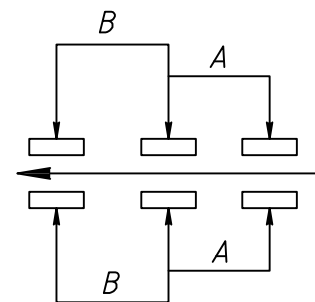
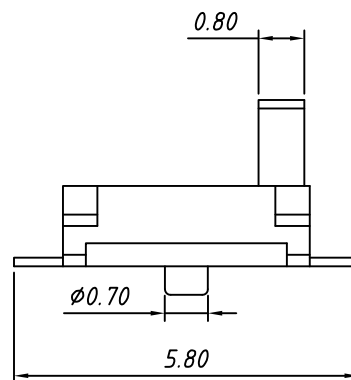
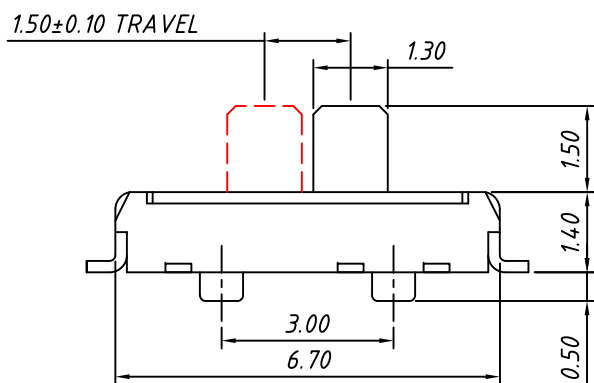


PCB LAYOUT

**ELECTRICAL**  
 Rating: 0.3A 30V DC  
 Function: 2P2T  
 Timing: Non-shorting  
 Contact Resistance: 70mΩ Max.  
 Insulation Resistance: 100MΩ Min. at 500V DC  
 Dielectric Strength: AC 500V for 1 min  
 Operating Temper: -20°C ~ +75°C  
 Operating Force: 170 ± 50gf  
 Life Test: 10000 Cycles  
 PACKING: 1000PCS/Reel

Order Information:  
 L-KLS7-MSS-2248

RoHS  
 DPDT



CIRCUIT

6	STRETCH PIECE	SUS	NATURAL	1
5	TERMINAL	C2680	Ag PLATED	6
4	CONTACT	C5210	Ag PLATED	1
3	BOTTOM	PA46	Black	1
2	COVER	SUS	NATURAL	1
1	STEM	PA46	Black	1
NO.	PARTS	MATERIAL	FINISHING & COLOR	Q'TY

GENERAL TOLERANCE	PROJECTION		Description:
X. ±0.20	UNITS	mm	Mini Slide Switch,
	SCALE	1:1	6.7x4.1x1.4mm, DPDT SMD Vertical
	Draw by:	Daniel	KLS P/N: L-KLS7-MSS-2248
ANGLE TOLERANCE	Check by:	Daniel	
±3°	Date	2020-08-30	
	SHEET	1 OF 1	



NingBo KLS ELECTRONIC CO., L TD.