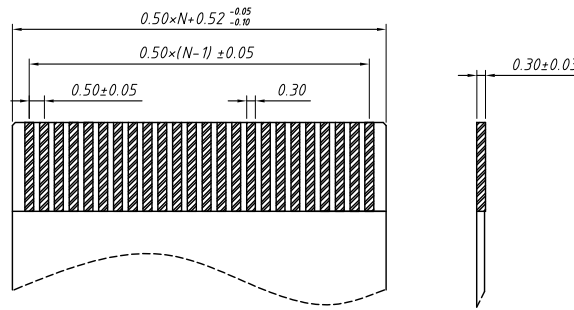
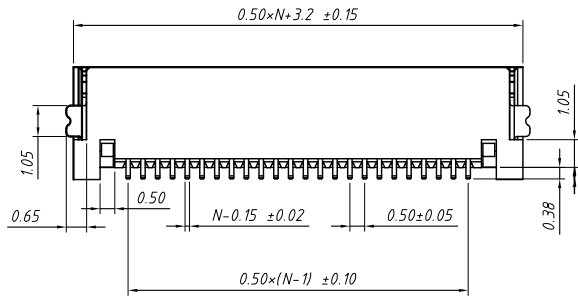


Material
 Housing:LCP UL94V-0
 Terminal:Phosphor Bronze,Gold/Tin
 Soldering:Phosphor Bronze,Gold/Tin

Electrical
 Voltage rating: 50 V
 Insulation resistance: 500 MΩ.Min.
 Contact resistance: 30 mΩ.Max.

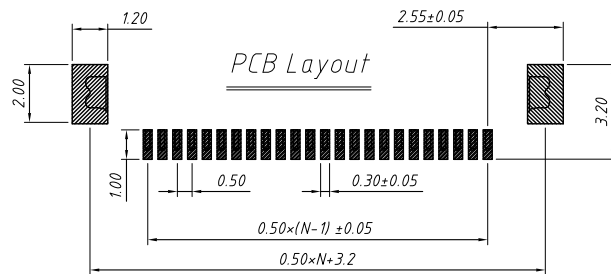
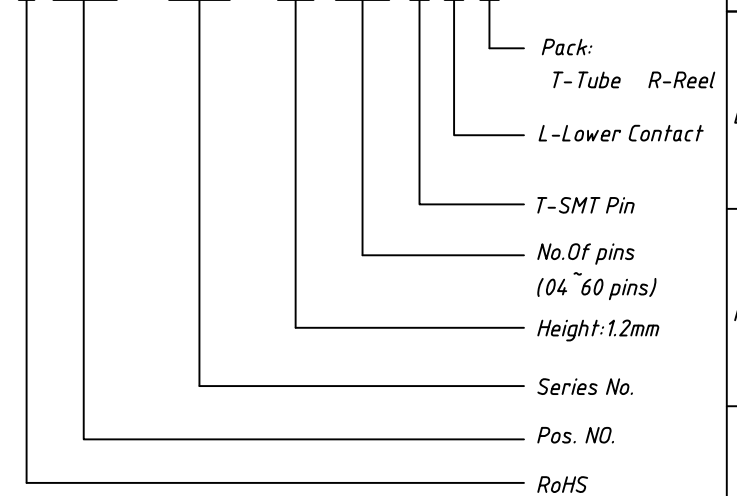
Mechanical
 Temp. Range: -25 °C ~ + 85 °C



Recommended FPC Dimension

Order Information

L-KLS1- 242X - 1.2- XX -T-L-R



GENERAL TOLERANCE	ANGLE TOLERANCE	PROJECTION	Description:
X. ±0.15	X. ±5°	UNITS	CONN FFC 0.50mm,SMD, Horizontal,Lower Contact , with ZIF
.X ±0.03	.X ±3°	SHEET SIZE	
.XX ±0.05	.XX ±2°	KLS P/N:	

Draw by: Date	2018-03-10
Check by:: Date	2018-03-10
SCALE	SHEET OF



NingBo KLS ELECTRONIC CO.,LTD.