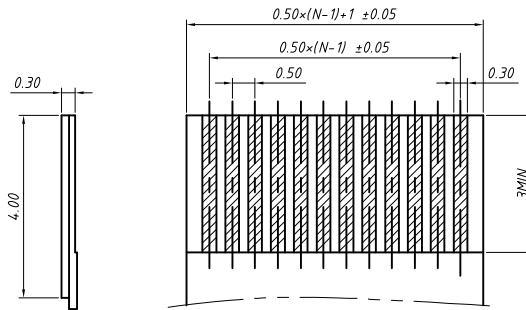
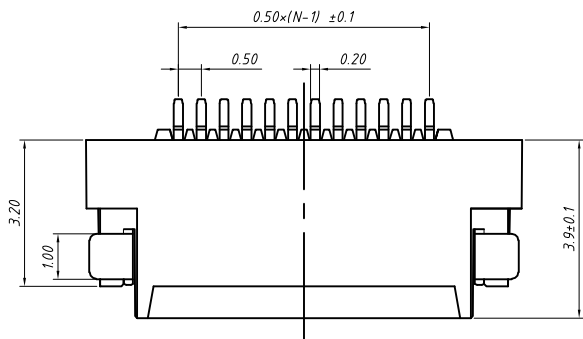


**Material**  
 Housing: NYLON 46 UL 94V-0  
 Contacts: Brass, Tin over Nickel.  
 LEG: Brass, Tin over Nickel.

**Electrical**  
 Voltage Rating(Max.): 50V  
 Current Rating(Max.): 0.5A

**Mechanical**  
 Temp. Range: -40 °C ~ +80 °C

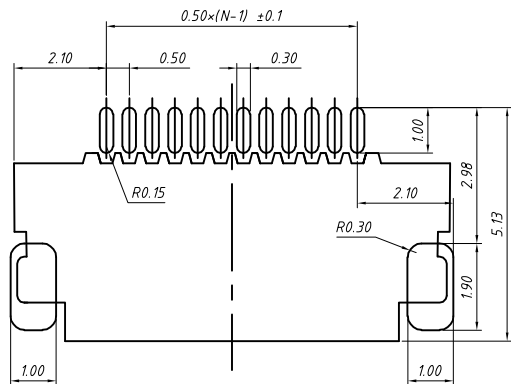


Applicable FPC

**Order Information**

L-KLS1- 3242B - 1.5- XX - T-R

- Pack: T-Tube, R-Reel, T-SMT Pin
- No. Of pins (04 ~ 60 pins)
- Height: 1.5mm
- Series No.
- Pos. NO.
- RoHS



PCB Layout

GENERAL TOLERANCE	ANGLE TOLERANCE	PROJECTION	Description:
X ±0.15	X ±5°	UNITS	CONN FFC 0.50mm, SMD, Horizontal, with ZIF
.X ±0.03	.X ±3°	SHEET SIZE	
.XX ±0.05	.XX ±2°	KLS P/N:	

Draw by: Date	2018-03-10
Check by: Date	2018-03-10
SCALE	SHEET OF

**KLS** NingBo KLS ELECTRONIC CO.,LTD.