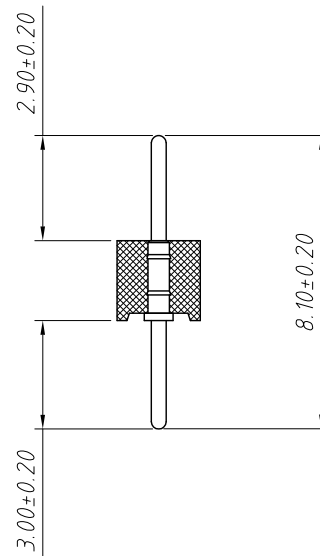


Recommended P.C.B Layout (Top Side)
(PCB BOARD TOLERANCE ± 0.05)



Material:

Housing: 30% Glass filled PPS UL94V-0

Contacts: Brass

Electrical Characteristics:

Current Rating: 1.0 AMP

Voltage Rating: 60V AC/DC

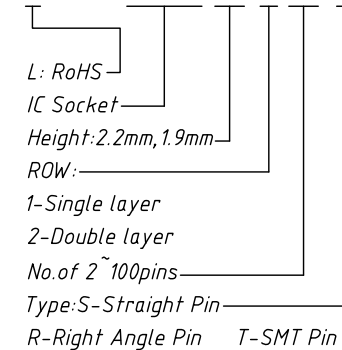
Insulator Resistance: 1000M Ω min. at 100V AC

Contact Resistance: 20m Ω max.

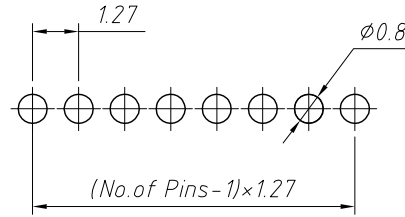
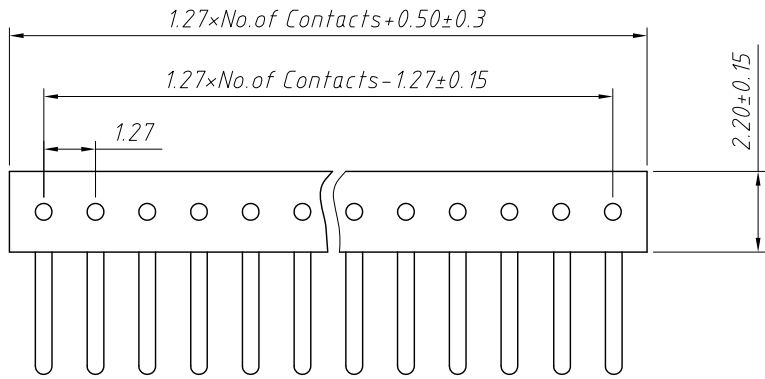
Operating Temperature: $-40^{\circ}\text{C} \sim +105^{\circ}\text{C}$

Order Information:

L-KLS1-209XC-2.2-1-XX-S



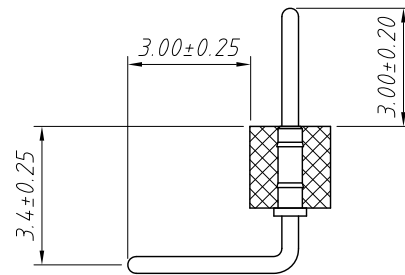
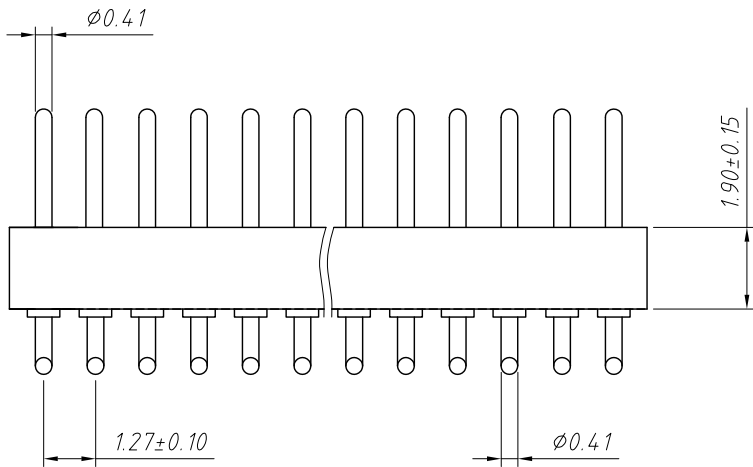
GENERAL TOLERANCE	PROJECTION		Description:
X. ± 0.50	UNITS	mm	1.27x1.27mm
.X ± 0.25	SCALE	1:1	Round Pin Header SIP Socket Connector
.XX ± 0.10	Draw by:	Jenny	KLS P/N: L-KLS1-209XC-2.2-1-XX-S
ANGLE TOLERANCE	Check by:		NingBo KLS ELECTRONIC CO.,L TD.
X. $\pm 5^{\circ}$	Date	2018-03-01	
.X $\pm 3^{\circ}$	SHEET	1 OF 1	
.XX $\pm 2^{\circ}$			



Recommended P.C.B Layout (Top Side)
(PCB BOARD TOLERANCE ± 0.05)

Material:
Housing: 30% Glass filled PPS UL94V-0
Contacts: Brass

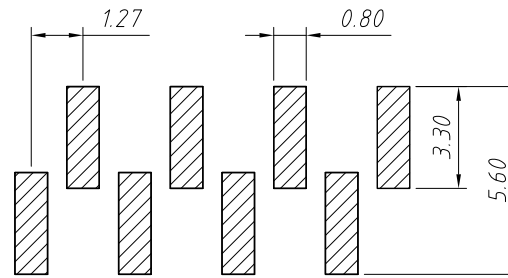
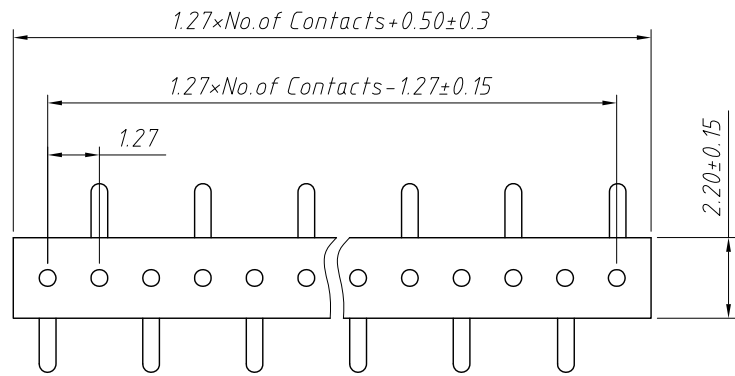
Electrical Characteristics:
Current Rating: 1.0 AMP
Voltage Rating: 60V AC/DC
Insulator Resistance: 1000M Ω min. at 100V AC
Contact Resistance: 20m Ω max.
Operating Temperature: -40°C ~ +105°C



Order Information:
L-KLS1-209XC-1.9-1-XX-R

L: RoHS
IC Socket
Height: 2.2mm, 1.9mm
ROW:
1-Single layer
2-Double layer
No. of 2 ~ 100 pins
Type: S-Straight Pin
R-Right Angle Pin T-SMT Pin

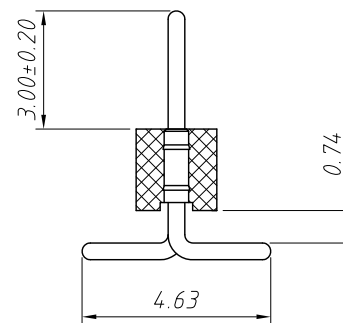
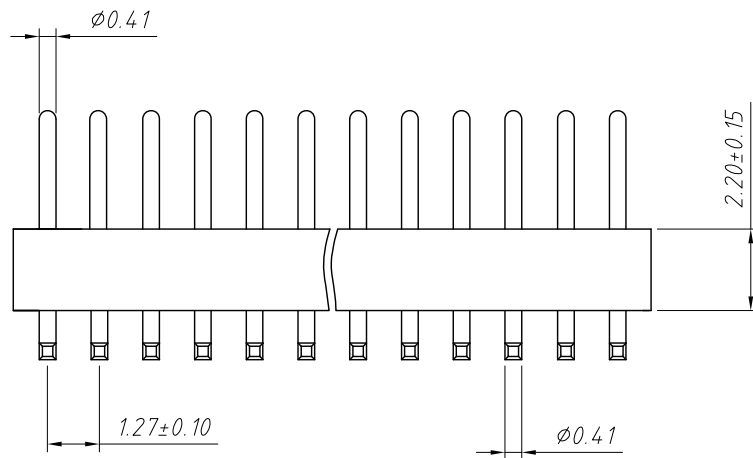
GENERAL TOLERANCE	PROJECTION		Description:
X. ±0.50	UNITS	mm	1.27x1.27mm
.X ±0.25	SCALE	1:1	Round Pin Header SIP Socket Connector
.XX ±0.10	Draw by:	Jenny	KLS P/N: L-KLS1-209XC-1.9-1-XX-R
ANGLE TOLERANCE	Check by:		NingBo KLS ELECTRONIC CO.,L TD.
X. ±5°	Date	2018-03-01	
.X ±3°	SHEET	1 OF 1	
.XX ±2°			



Recommended P.C.B Layout (Top Side)
(PCB BOARD TOLERANCE ± 0.05)

Material:
Housing: 30% Glass filled PPS UL 94V-0
Contacts: Brass

Electrical Characteristics:
Current Rating: 1.0 AMP
Voltage Rating: 60V AC/DC
Insulator Resistance: 1000MΩ min. at 100V AC
Contact Resistance: 20mΩ max.
Operating Temperature: -40°C ~ +105°C

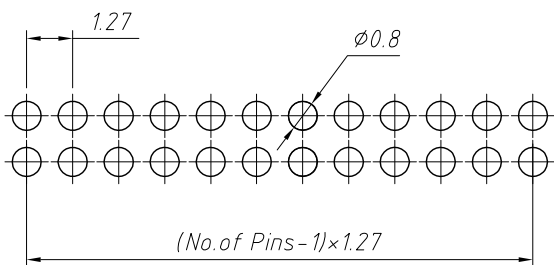
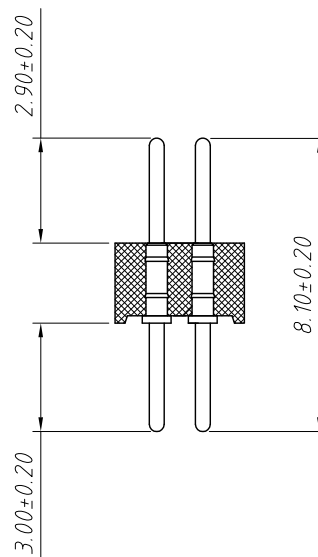
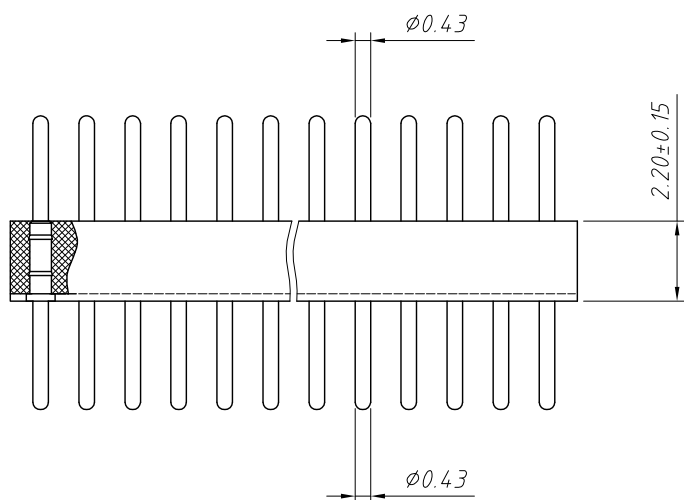
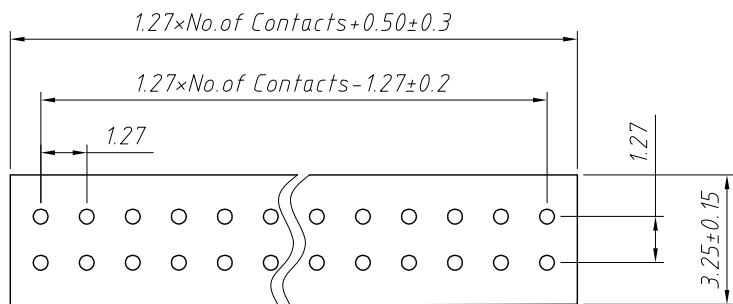


Order Information:

L-KLS1-209XC-1.9-1-XX-T2-T

L: RoHS
IC Socket
Height: 2.2mm, 1.9mm
ROW:
1-Single layer
2-Double layer
No. of 2 ~ 100 pins
Type: S-Straight Pin
R-Right Angle Pin T2-SMT Pin
Packing: T=Tube R=Reel

GENERAL TOLERANCE	PROJECTION		Description:
X. ±0.50	UNITS	mm	1.27x1.27mm
.X ±0.25	SCALE	1:1	Round Pin Header SIP Socket Connector
.XX ±0.10	Draw by:	Jenny	KLS P/N: L-KLS1-209XC-1.9-1-XX-T2-T
ANGLE TOLERANCE	Check by:		NingBo KLS ELECTRONIC CO.,L TD.
X. ±5°	Date	2018-03-01	
.X ±3°	SHEET	1 OF 1	
.XX ±2°			



Recommended P.C.B Layout (Top Side)
(PCB BOARD TOLERANCE ±0.05)

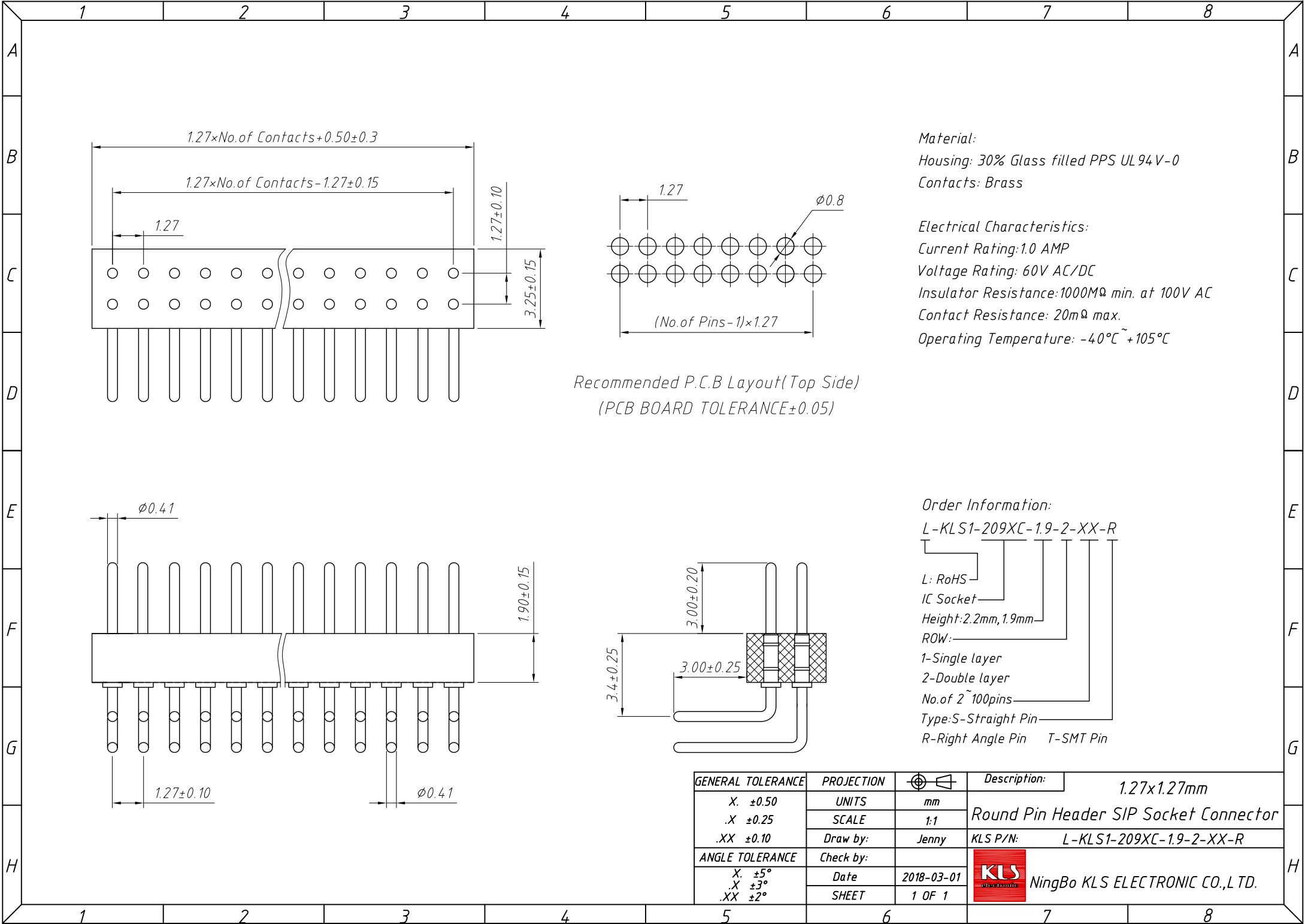
Material:
Housing: 30% Glass filled PPS UL94V-0
Contacts: Brass

Electrical Characteristics:
Current Rating: 1.0 AMP
Voltage Rating: 60V AC/DC
Insulator Resistance: 1000M Ω min. at 100V AC
Contact Resistance: 20m Ω max.
Operating Temperature: -40°C ~ +105°C

Order Information:
L-KLS1-209XC-2.2-2-XX-S

L: RoHS
IC Socket
Height: 2.2mm, 1.9mm
ROW:
1-Single layer
2-Double layer
No. of 2 ~ 100pins
Type: S-Straight Pin
R-Right Angle Pin T-SMT Pin

GENERAL TOLERANCE	PROJECTION		Description:
X. ±0.50	UNITS	mm	1.27x1.27mm
.X ±0.25	SCALE	1:1	Round Pin Header SIP Socket Connector
.XX ±0.10	Draw by:	Jenny	KLS P/N: L-KLS1-209XC-2.2-2-XX-S
ANGLE TOLERANCE	Check by:		
X. ±5°	Date	2018-03-01	NingBo KLS ELECTRONIC CO.,L TD.
.X ±3°	SHEET	1 OF 1	
.XX ±2°			



Material:
Housing: 30% Glass filled PPS UL94V-0
Contacts: Brass

Electrical Characteristics:
Current Rating: 1.0 AMP
Voltage Rating: 60V AC/DC
Insulator Resistance: 1000M Ω min. at 100V AC
Contact Resistance: 20m Ω max.
Operating Temperature: -40°C ~ +105°C

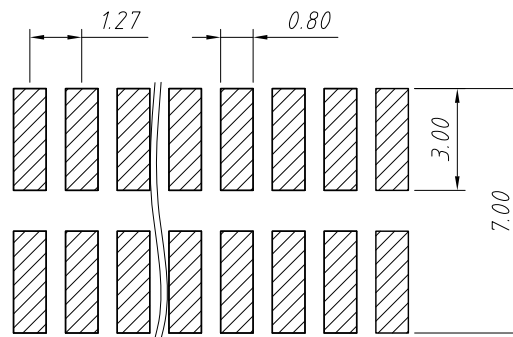
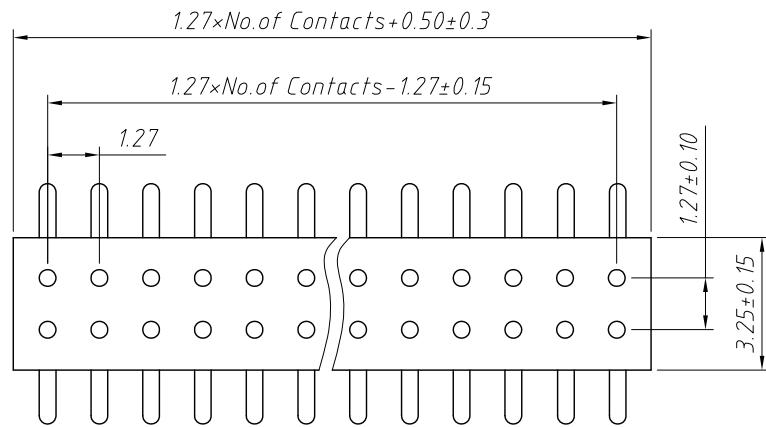
Recommended P.C.B Layout (Top Side)
(PCB BOARD TOLERANCE ± 0.05)

Order Information:
L-KLS1-209XC-1.9-2-XX-R

L: RoHS
IC Socket
Height: 2.2mm, 1.9mm
ROW:
1-Single layer
2-Double layer
No. of 2 ~ 100 pins
Type: S-Straight Pin
R-Right Angle Pin T-SMT Pin

GENERAL TOLERANCE	PROJECTION		Description:
X. ± 0.50	UNITS	mm	1.27x1.27mm
.X ± 0.25	SCALE	1:1	Round Pin Header SIP Socket Connector
.XX ± 0.10	Draw by:	Jenny	KLS P/N: L-KLS1-209XC-1.9-2-XX-R
ANGLE TOLERANCE	Check by:		
X. $\pm 5^\circ$	Date	2018-03-01	
.X $\pm 3^\circ$	SHEET	1 OF 1	
.XX $\pm 2^\circ$			

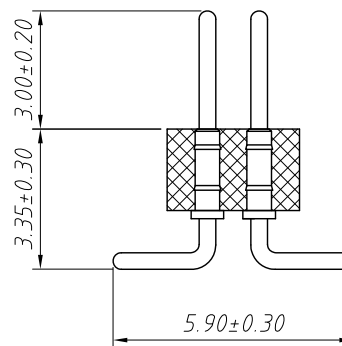
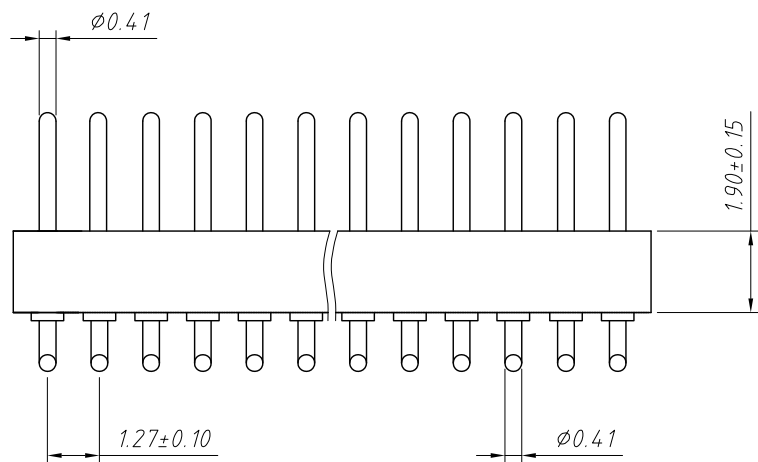
NingBo KLS ELECTRONIC CO.,L TD.



Recommended P.C.B Layout (Top Side)
(PCB BOARD TOLERANCE±0.05)

Material:
Housing: 30% Glass filled PPS UL94V-0
Contacts: Brass

Electrical Characteristics:
Current Rating: 1.0 AMP
Voltage Rating: 60V AC/DC
Insulator Resistance: 1000MΩ min. at 100V AC
Contact Resistance: 20mΩ max.
Operating Temperature: -40°C ~ +105°C



Order Information:
L-KLS1-209XC-1.9-2-XX-T-T

L: RoHS
IC Socket
Height: 2.2mm, 1.9mm
ROW:
1-Single layer
2-Double layer
No. of 2~100pins
Type: S-Straight Pin R-Right Angle Pin T-SMT Pin
Packing: T=Tube R=Reel

GENERAL TOLERANCE	PROJECTION		Description:
X. ±0.50	UNITS	mm	1.27x1.27mm
.X ±0.25	SCALE	1:1	Round Pin Header SIP Socket Connector
.XX ±0.10	Draw by:	Jenny	KLS P/N: L-KLS1-209XC-1.9-2-XX-T-T
ANGLE TOLERANCE	Check by:		
X. ±5°	Date	2018-03-01	NingBo KLS ELECTRONIC CO.,L TD.
.X ±3°	SHEET	1 OF 1	
.XX ±2°			