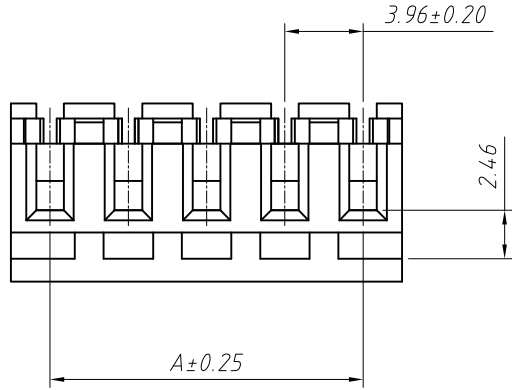


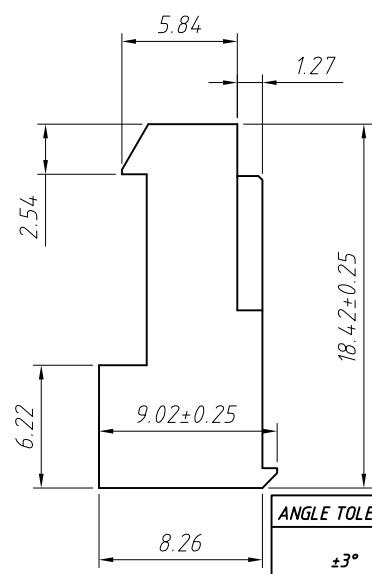
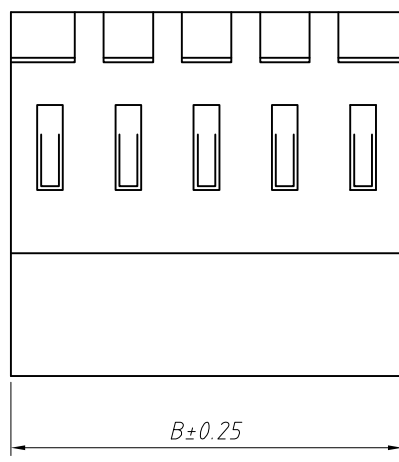
1
RoHS Compliance



Pin	Dimension mm		Pin	Dimension mm	
	A	B		A	B
02	3.96	7.92	14	51.48	55.44
03	7.92	11.88	15	55.44	59.40
04	11.88	15.84	16	59.40	63.36
05	15.84	19.80	17	63.36	67.32
06	19.80	23.76	18	67.32	71.28
07	23.76	27.72	19	71.28	75.24
08	27.72	31.68	20	75.24	79.20
09	31.68	35.64	21	79.20	83.16
10	35.64	39.60	22	83.16	87.12
11	39.60	43.56	23	87.12	91.08
12	43.56	47.52	24	91.08	95.04
13	47.52	51.48			

Material:
Housing: PA66 UL94V-2
Contacts: Phosphor bronze
Plating: Tin 50u" over 100u" nickel

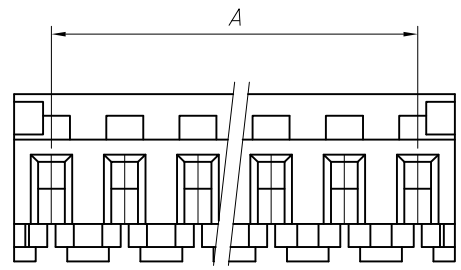
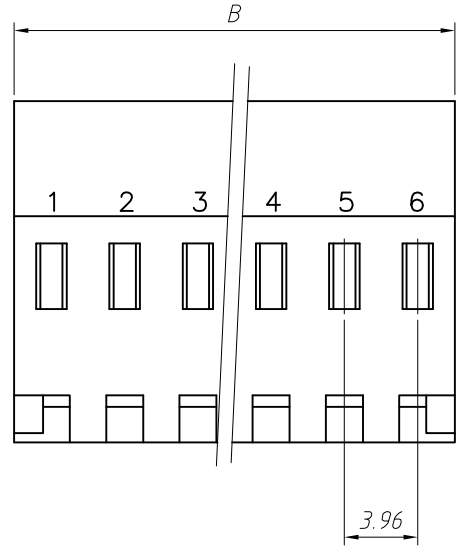
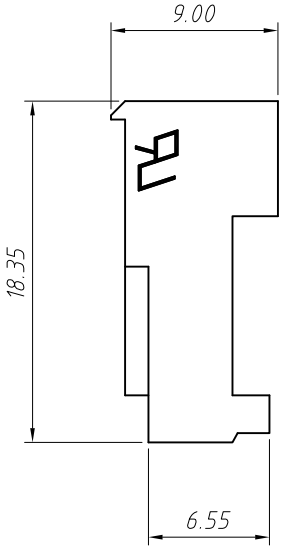
Electrical Specification:
Rated Voltage: 250V AC/DC
Rated Current: 7A AC/DC
Contact Resistance: 10mΩ max
Insulation Resistance: 1000MΩ min
Withstand voltage: 1500V AC/MIN
Temperature range for usage: -40°C ~ +105°C



Order Information:
L-KLS1-MA-3.96-XX-R
L: RoHS
IDC connectors
3.96mm Pitch
XX-No. of: 02 ~ 24 pin
Color:
O=Orange=18AWG Y=Yellow=20awg
W=White=24AWG R=Red=22AWG
BL=Blue=26AWG BK=Black=18 ~ 26AWG

ANGLE TOLERANCE	PROJECTION	Description:
±3°		3.96mm AMP Type IDC Connector
GENERAL TOLERANCE	UNITS	mm
x.x ±0.30	SHEET SIZE	A4
x.xx ±0.20	Draw:	Daniel 2018-07-10
x.xxx ±0.10	Check:	Daniel 2018-07-10
KLS P/N:		L-KLS1-MA-3.96-XX-R
KLS ELECTRONIC CO., L.TD.		

1
RoHS Compliance



Pin	Dimension mm		Pin	Dimension mm	
	A	B		A	B
02	3.96	7.92	14	51.48	55.44
03	7.92	11.88	15	55.44	59.40
04	11.88	15.84	16	59.40	63.36
05	15.84	19.80	17	63.36	67.32
06	19.80	23.76	18	67.32	71.28
07	23.76	27.72	19	71.28	75.24
08	27.72	31.68	20	75.24	79.20
09	31.68	35.64	21	79.20	83.16
10	35.64	39.60	22	83.16	87.12
11	39.60	43.56	23	87.12	91.08
12	43.56	47.52	24	91.08	95.04
13	47.52	51.48			

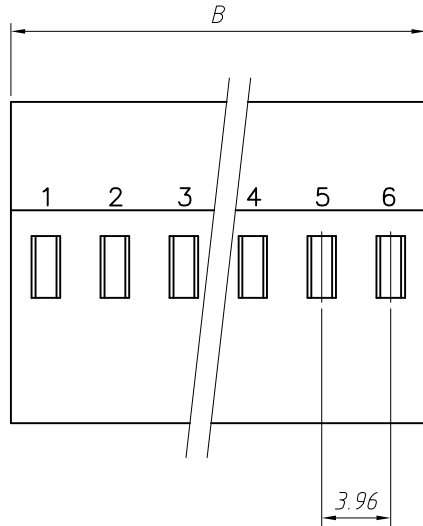
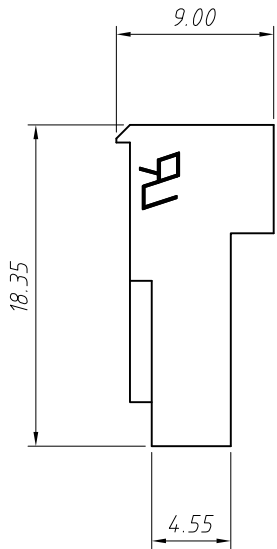
Material:
 Housing: Nylon66 UL94V-2
 Contacts: Copper Alloy
 Plating: Tin-plated or Gold plated over nickel
 Wire Size: AWG#18 ~ 24

Electrical Specification:
 Rated Voltage: 250V AC/DC
 Rated Current: 7A AC/DC
 Contact Resistance: 10mΩ max
 Insulation Resistance: 1000MΩ min
 Withstand voltage: 1500V AC/MIN
 Temperature range for usage: -40°C ~ +105°C

Order Information:
 L-KLS1-MB-3.96-XX-R
 L: RoHS
 IDC connectors
 3.96mm Pitch
 XX-No. of: 02 ~ 24pin
 Color: R=Red=22AWG
 O=Orange=18AWG Y=Yellow=20awg
 W=White=24AWG N=Natural=18AWG

ANGLE TOLERANCE	PROJECTION	Description:
±3°		3.96mm AMP Type IDC Connector
GENERAL TOLERANCE	UNITS	KLS P/N:
x.x ±0.30	mm	L-KLS1-MB-3.96-XX-R
x.xx ±0.20	SHEET SIZE	
x.xxx ±0.10	A4	
	Draw: Daniel 2018-07-10	
	Check: Daniel 2018-07-10	NingBo KLS ELECTRONIC CO.,L TD.

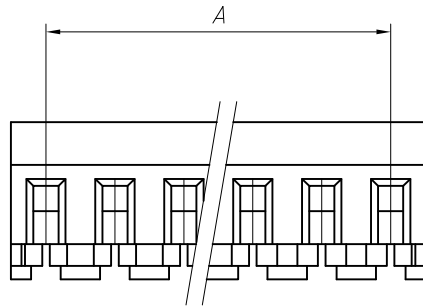
1
RoHS Compliance



Material:
 Housing: Nylon66 UL94V-2
 Contacts: Copper Alloy
 Plating: Tin-plated or Gold plated over nickel
 Wire Size: AWG#18~24

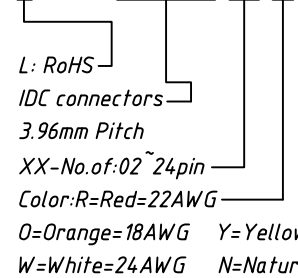
Electrical Specification:
 Rated Voltage: 250V AC/DC
 Rated Current: 7A AC/DC
 Contact Resistance: 10mΩ max
 Insulation Resistance: 1000MΩ min
 Withstand voltage: 1500V AC/MIN
 Temperature range for usage: -40°C ~ +105°C

Pin	Dimension mm		Pin	Dimension mm	
	A	B		A	B
02	3.96	7.92	14	51.48	55.44
03	7.92	11.88	15	55.44	59.40
04	11.88	15.84	16	59.40	63.36
05	15.84	19.80	17	63.36	67.32
06	19.80	23.76	18	67.32	71.28
07	23.76	27.72	19	71.28	75.24
08	27.72	31.68	20	75.24	79.20
09	31.68	35.64	21	79.20	83.16
10	35.64	39.60	22	83.16	87.12
11	39.60	43.56	23	87.12	91.08
12	43.56	47.52	24	91.08	95.04
13	47.52	51.48			



Order Information:

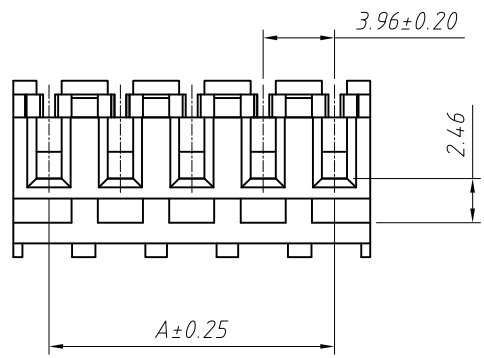
L-KLS1-MC-3.96-XX-R



ANGLE TOLERANCE	PROJECTION	Description:	
±3°		3.96mm AMP Type IDC Connector	
GENERAL TOLERANCE	UNITS	mm	KLS P/N:
x.x ±0.30	SHEET SIZE	A4	L-KLS1-MC-3.96-XX-R
x.xx ±0.20	Draw:	Daniel	2018-07-10
x.xxx ±0.10	Check:	Daniel	2018-07-10

NingBo KLS ELECTRONIC CO.,L TD.

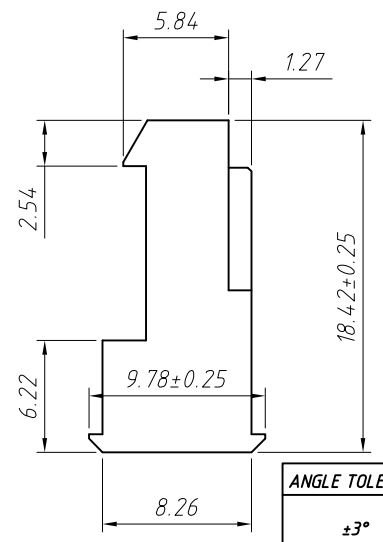
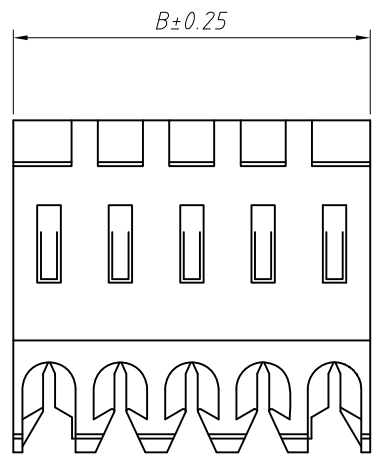
1
RoHS Compliance



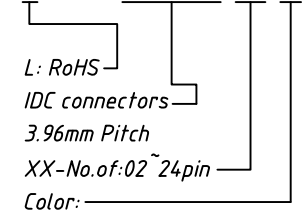
Pin	Dimension mm		Pin	Dimension mm	
	A	B		A	B
02	3.96	7.92	14	51.48	55.44
03	7.92	11.88	15	55.44	59.40
04	11.88	15.84	16	59.40	63.36
05	15.84	19.80	17	63.36	67.32
06	19.80	23.76	18	67.32	71.28
07	23.76	27.72	19	71.28	75.24
08	27.72	31.68	20	75.24	79.20
09	31.68	35.64	21	79.20	83.16
10	35.64	39.60	22	83.16	87.12
11	39.60	43.56	23	87.12	91.08
12	43.56	47.52	24	91.08	95.04
13	47.52	51.48			

Material:
Housing: PA66 UL94V-2
Contacts: Phosphor bronze
Plating: Tin 50u" over 100u" nickel

Electrical Specification:
Rated Voltage: 250V AC/DC
Rated Current: 7A AC/DC
Contact Resistance: 10mΩ max
Insulation Resistance: 1000MΩ min
Withstand voltage: 1500V AC/MIN
Temperature range for usage: -40°C ~ +105°C



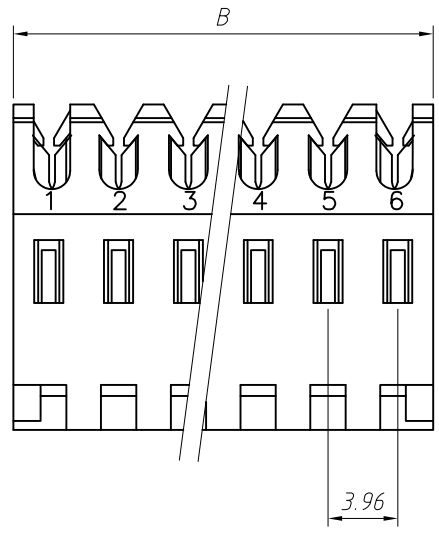
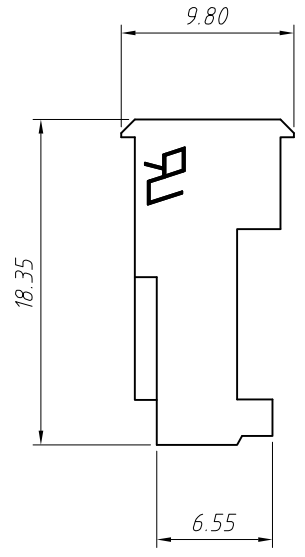
Order Information:
L-KLS1-MT-3.96-XX-R



Color:
R=Red=22AWG W=White=24AWG
O=Orange=18AWG Y=Yellow=20awg
BL=Blue=26AWG BK=Black=18 ~ 26AWG

ANGLE TOLERANCE	PROJECTION	Description:
±3°		3.96mm AMP Type IDC Connector
GENERAL TOLERANCE	UNITS	KLS P/N:
x.x ±0.30	mm	L-KLS1-MT-3.96-XX-R
x.xx ±0.20	SHEET SIZE	NingBo KLS ELECTRONIC CO.,L TD.
x.xxx ±0.10	Draw:	
	Check:	

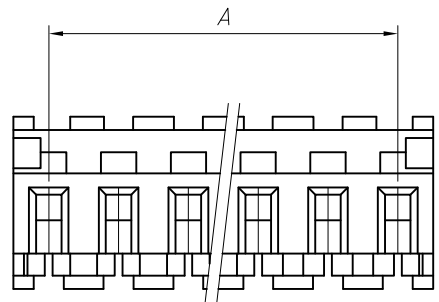
1
RoHS Compliance



Material:
 Housing: Nylon66 UL94V-2
 Contacts: Copper Alloy
 Plating: Tin-plated or Gold plated over nickel
 Wire Size: AWG#18 ~ 24

Electrical Specification:
 Rated Voltage: 250V AC/DC
 Rated Current: 7A AC/DC
 Contact Resistance: 10mΩ max
 Insulation Resistance: 1000MΩ min
 Withstand voltage: 1500V AC/MIN
 Temperature range for usage: -40°C ~ +105°C

Pin	Dimension mm		Pin	Dimension mm	
	A	B		A	B
02	3.96	7.92	14	51.48	55.44
03	7.92	11.88	15	55.44	59.40
04	11.88	15.84	16	59.40	63.36
05	15.84	19.80	17	63.36	67.32
06	19.80	23.76	18	67.32	71.28
07	23.76	27.72	19	71.28	75.24
08	27.72	31.68	20	75.24	79.20
09	31.68	35.64	21	79.20	83.16
10	35.64	39.60	22	83.16	87.12
11	39.60	43.56	23	87.12	91.08
12	43.56	47.52	24	91.08	95.04
13	47.52	51.48			

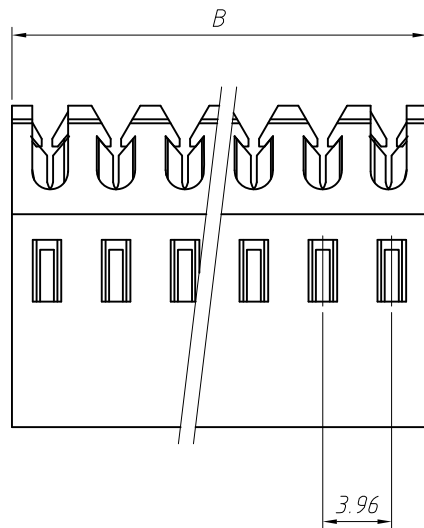
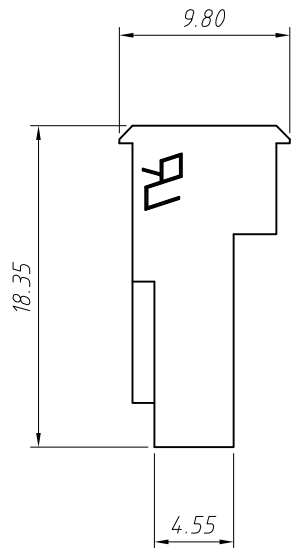


Order Information:
 L-KLS1-MR-3.96-XX-R
 L: RoHS
 IDC connectors
 3.96mm Pitch
 XX-No.of: 02 ~ 24pin
 Color: R=Red=22AWG
 O=Orange=18AWG Y=Yellow=20awg
 W=White=24AWG N=Natural=18AWG

ANGLE TOLERANCE	PROJECTION	Description:
±3°		3.96mm AMP Type IDC Connector
GENERAL TOLERANCE	UNITS	KLS P/N:
x.x ±0.30	mm	L-KLS1-MR-3.96-XX-R
x.xx ±0.20	SHEET SIZE	
x.xxx ±0.10	A4	
	Draw:	Daniel 2018-07-10
	Check:	Daniel 2018-07-10

NingBo KLS ELECTRONIC CO.,LTD.

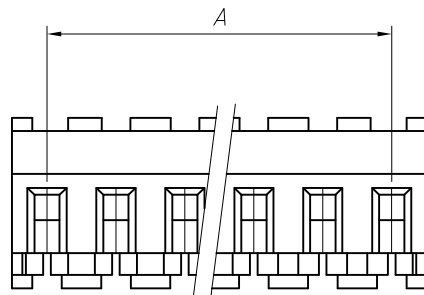
1
RoHS Compliance



Material:
 Housing: Nylon66 UL94V-2
 Contacts: Copper Alloy
 Plating: Tin-plated or Gold plated over nickel
 Wire Size: AWG#18~24

Electrical Specification:
 Rated Voltage: 250V AC/DC
 Rated Current: 7A AC/DC
 Contact Resistance: 10mΩ max
 Insulation Resistance: 1000MΩ min
 Withstand voltage: 1500V AC/MIN
 Temperature range for usage: -4.0°C ~ +105°C

Pin	Dimension mm		Pin	Dimension mm	
	A	B		A	B
02	3.96	7.92	14	51.48	55.44
03	7.92	11.88	15	55.44	59.40
04	11.88	15.84	16	59.40	63.36
05	15.84	19.80	17	63.36	67.32
06	19.80	23.76	18	67.32	71.28
07	23.76	27.72	19	71.28	75.24
08	27.72	31.68	20	75.24	79.20
09	31.68	35.64	21	79.20	83.16
10	35.64	39.60	22	83.16	87.12
11	39.60	43.56	23	87.12	91.08
12	43.56	47.52	24	91.08	95.04
13	47.52	51.48			



Order Information:

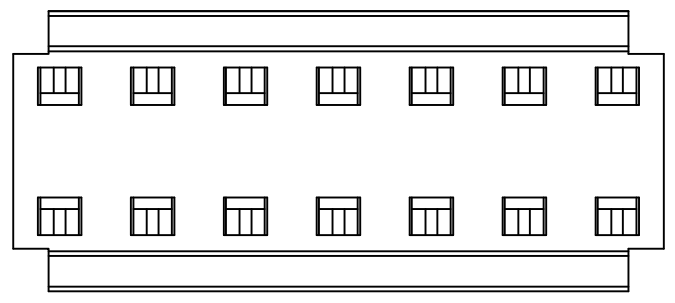
L-KLS1-MU-3.96-XX-R

L: RoHS
 IDC connectors
 3.96mm Pitch
 XX-No.of: 02~24pin
 Color: R=Red=22AWG
 O=Orange=18AWG Y=Yellow=20awg
 W=White=24AWG N=Natural=18AWG

ANGLE TOLERANCE	PROJECTION		Description:	
±3°			3.96mm AMP Type IDC Connector	
GENERAL TOLERANCE	UNITS	mm	KLS P/N:	L-KLS1-MU-3.96-XX-R
x.x ±0.30	SHEET SIZE	A4		
x.xx ±0.20	Draw:	Daniel	2018-07-10	
x.xxx ±0.10	Check:	Daniel	2018-07-10	

NingBo KLS ELECTRONIC CO.,L TD.

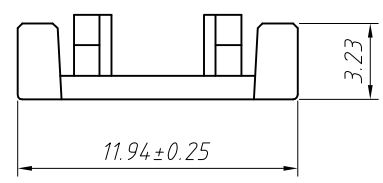
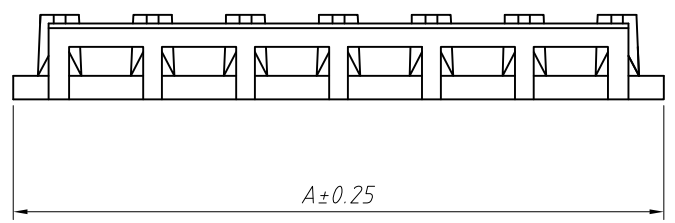
1
RoHS Compliance



Pin	Dimension mm	Pin	Dimension mm
	A		A
02	7.92	14	55.44
03	11.88	15	59.40
04	15.84	16	53.36
05	19.80	17	67.32
06	23.76	18	71.28
07	27.72	19	75.24
08	31.68	20	79.20
09	35.64	21	83.16
10	39.60	22	87.12
11	43.56	23	91.08
12	47.52	24	95.04
13	51.48		

Material:
Housing:Nylon66,UL94V-0
Color:White

Electrical Specification:
Rated Voltage:250V AC/DC
Rated Current:7A
Contact Resistance:10mΩ max
Insulation Resistance:1000MΩ min
Withstand voltage:1500V AC/MIN
Temperature range for usage:-40°C ~ +105°C

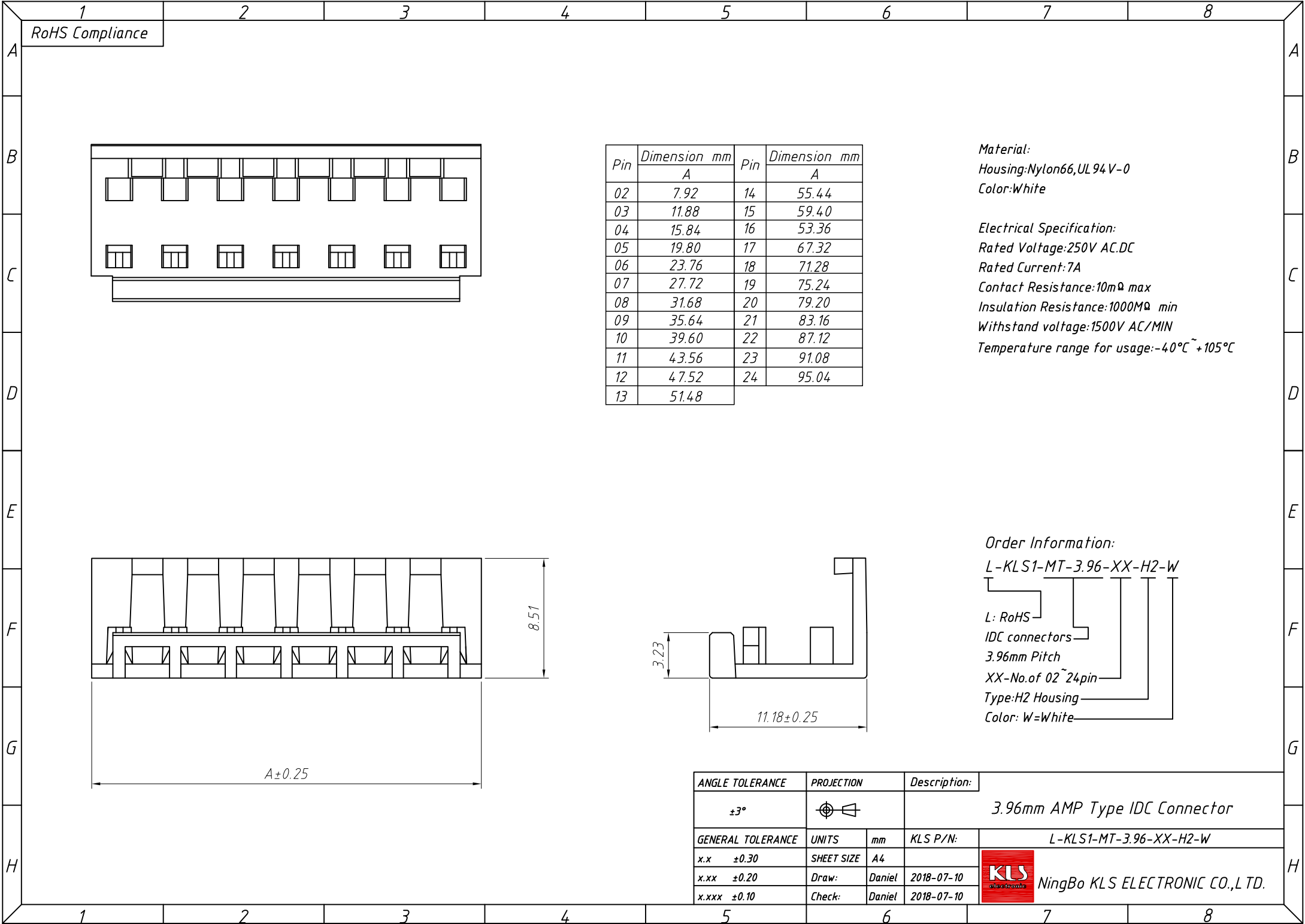


Order Information:
L-KLS1-MT-3.96-XX-H1-W
L: RoHS
IDC connectors
3.96mm Pitch
XX-No. of 02 ~ 24pin
Type:H1 Housing
Color: W=White

ANGLE TOLERANCE	PROJECTION	Description:	
±3°		3.96mm AMP Type IDC Connector	
GENERAL TOLERANCE	UNITS	mm	KLS P/N:
x.x ±0.30	SHEET SIZE	A4	L-KLS1-MT-3.96-XX-H1-W
x.xx ±0.20	Draw:	Daniel	2018-07-10
x.xxx ±0.10	Check:	Daniel	2018-07-10

NingBo KLS ELECTRONIC CO.,L TD.

1
RoHS Compliance

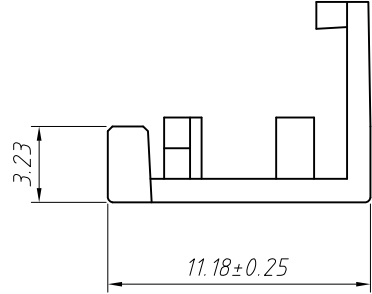
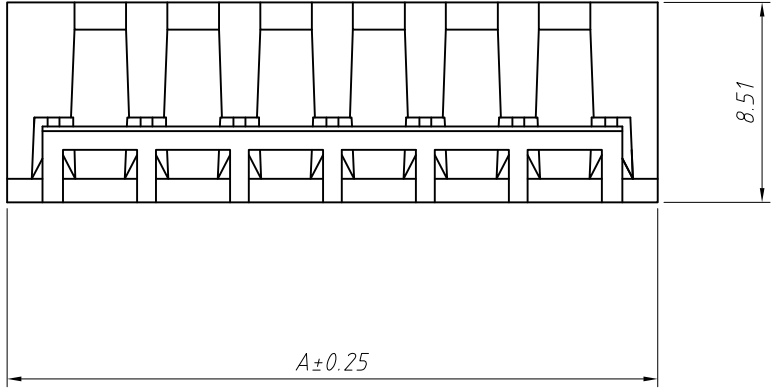
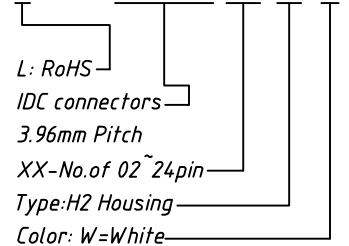


Pin	Dimension mm	Pin	Dimension mm
	A		A
02	7.92	14	55.44
03	11.88	15	59.40
04	15.84	16	53.36
05	19.80	17	67.32
06	23.76	18	71.28
07	27.72	19	75.24
08	31.68	20	79.20
09	35.64	21	83.16
10	39.60	22	87.12
11	43.56	23	91.08
12	47.52	24	95.04
13	51.48		

Material:
Housing:Nylon66,UL94V-0
Color:White

Electrical Specification:
Rated Voltage:250V AC/DC
Rated Current:7A
Contact Resistance:10mΩ max
Insulation Resistance:1000MΩ min
Withstand voltage:1500V AC/MIN
Temperature range for usage:-40°C ~ +105°C

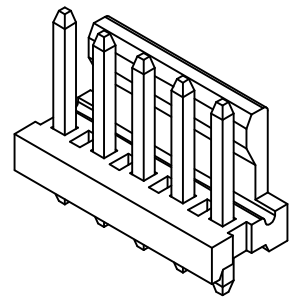
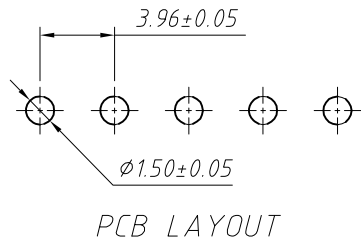
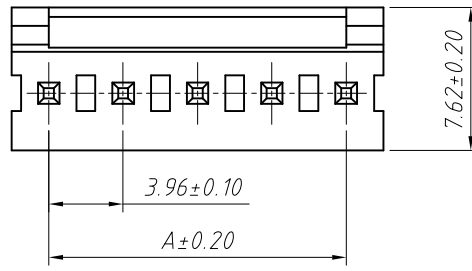
Order Information:
L-KLS1-MT-3.96-XX-H2-W



ANGLE TOLERANCE	PROJECTION	Description:	
±3°		3.96mm AMP Type IDC Connector	
GENERAL TOLERANCE	UNITS	mm	KLS P/N:
x.x ±0.30	SHEET SIZE	A4	L-KLS1-MT-3.96-XX-H2-W
x.xx ±0.20	Draw:	Daniel	2018-07-10
x.xxx ±0.10	Check:	Daniel	2018-07-10

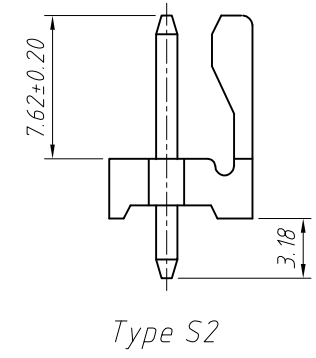
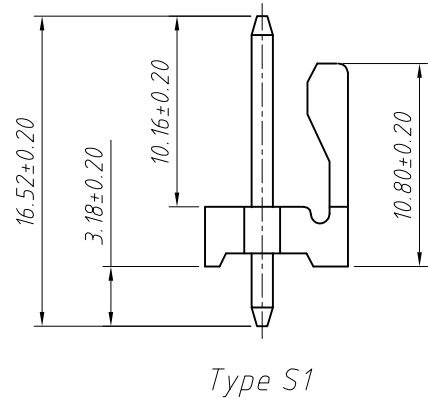
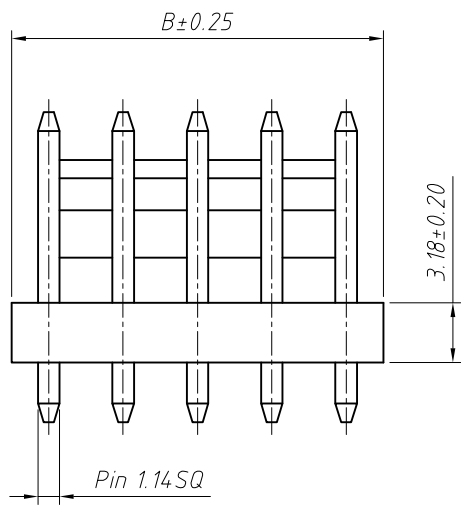
NingBo KLS ELECTRONIC CO.,L TD.

1
RoHS Compliance



Material:
Housing: Nylon66 UL 94V-0, Color: Natural
Contacts: Brass, Tin over Nickel

Electrical Specification:
Rated Voltage: 250V AC/DC
Rated Current: 7A
Contact Resistance: 10mΩ max
Insulation Resistance: 1000MΩ min
Withstand voltage: 1500V AC/MIN
Temperature range for usage: -40°C ~ +105°C



Pin	Dimension mm		Pin	Dimension mm	
	A	B		A	B
02	3.96	7.92	14	51.48	55.44
03	7.92	11.88	15	55.44	59.40
04	11.88	15.84	16	59.40	53.36
05	15.84	19.80	17	53.36	67.32
06	19.80	23.76	18	67.32	71.28
07	23.76	27.72	19	71.28	75.24
08	27.72	31.68	20	75.24	79.20
09	31.68	35.64	21	79.20	83.16
10	35.64	39.60	22	83.16	87.12
11	39.60	43.56	23	87.12	91.08
12	43.56	47.52	24	91.08	95.04
13	47.52	51.48			

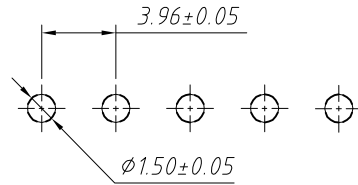
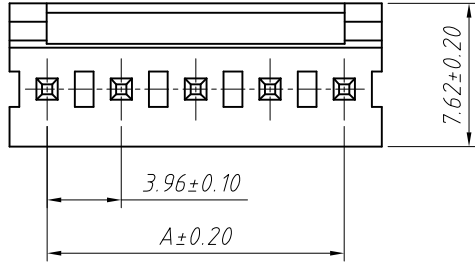
Order Information:
L-KLS1-MT-3.96-XX-S1

L: RoHS
IDC connectors
3.96mm Pitch
XX-No. of: 02 ~ 24pin
S1=16.50mm S2=14.00mm

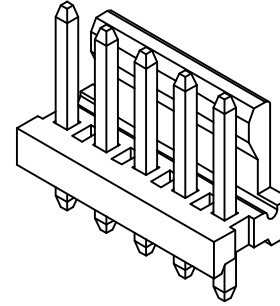
ANGLE TOLERANCE	PROJECTION	Description:	
±3°		3.96mm AMP Type IDC Connector	
GENERAL TOLERANCE	UNITS	mm	KLS P/N:
x.x ±0.30	SHEET SIZE	A4	L-KLS1-MT-3.96-XX-S1/S2
x.xx ±0.20	Draw:	Daniel	2018-07-10
x.xxx ±0.10	Check:	Daniel	2018-07-10



1 RoHS Compliance



PCB LAYOUT



Material:

Housing:Nylon66 UL 94V-0,Color:Natural

Contacts:Brass,Tin over Nickel

Electrical Specification:

Rated Voltage:250V AC/DC

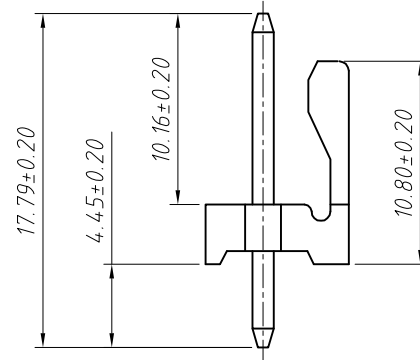
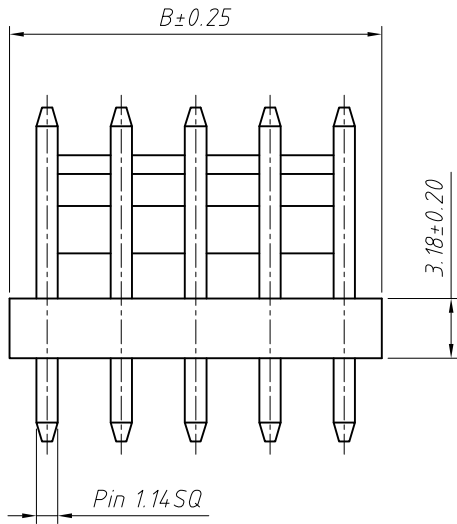
Rated Current:7A

Contact Resistance:10mΩ max

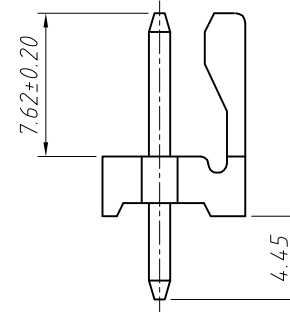
Insulation Resistance:1000MΩ min

Withstand voltage:1500V AC/MIN

Temperature range for usage:-40°C ~ +105°C



Type S3



Type S4

Pin	Dimension mm		Pin	Dimension mm	
	A	B		A	B
02	3.96	7.92	14	51.48	55.44
03	7.92	11.88	15	55.44	59.40
04	11.88	15.84	16	59.40	53.36
05	15.84	19.80	17	53.36	67.32
06	19.80	23.76	18	67.32	71.28
07	23.76	27.72	19	71.28	75.24
08	27.72	31.68	20	75.24	79.20
09	31.68	35.64	21	79.20	83.16
10	35.64	39.60	22	83.16	87.12
11	39.60	43.56	23	87.12	91.08
12	43.56	47.52	24	91.08	95.04
13	47.52	51.48			

Order Information:

L-KLS1-MT-3.96-XX-S3

L: RoHS

IDC connectors

3.96mm Pitch

XX-No.of:02~24pin

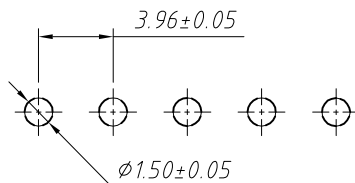
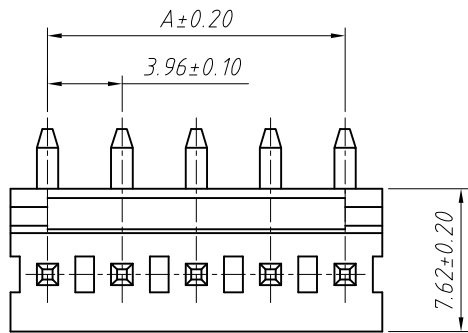
S3=17.80mm S4=15.25mm

ANGLE TOLERANCE		PROJECTION		Description:	
±3°				3.96mm AMP Type IDC Connector	
GENERAL TOLERANCE		UNITS	mm	KLS P/N:	
x.x ±0.30		SHEET SIZE		L-KLS1-MT-3.96-XX-S3/S4	
x.xx ±0.20		Draw:	Daniel	2018-07-10	
x.xxx ±0.10		Check:	Daniel	2018-07-10	

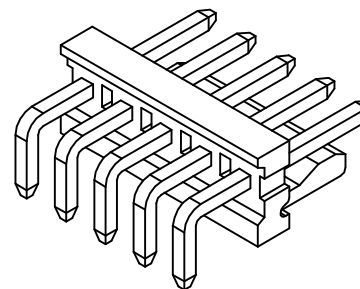


NingBo KLS ELECTRONIC CO.,L TD.

1
RoHS Compliance

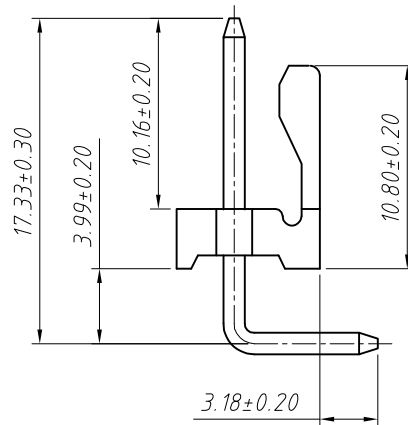
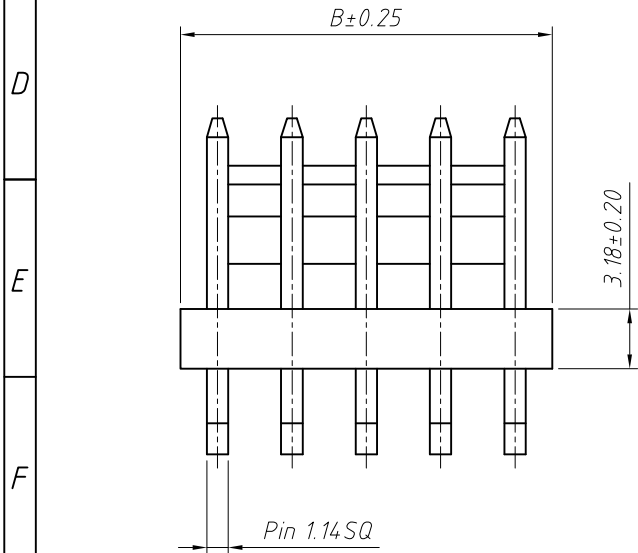


PCB LAYOUT

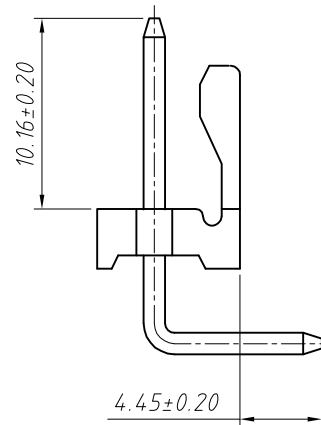


Material:
Housing:Nylon66 UL94V-0,Color:Natural
Contacts:Brass,Tin over Nickel

Electrical Specification:
Rated Voltage:250V AC/DC
Rated Current:7A
Contact Resistance:10mΩ max
Insulation Resistance:1000MΩ min
Withstand voltage:1500V AC/MIN
Temperature range for usage:-40°C ~ +105°C



Type R1



Type R2

Pin	Dimension mm		Pin	Dimension mm	
	A	B		A	B
02	3.96	7.92	14	51.48	55.44
03	7.92	11.88	15	55.44	59.40
04	11.88	15.84	16	59.40	53.36
05	15.84	19.80	17	53.36	67.32
06	19.80	23.76	18	67.32	71.28
07	23.76	27.72	19	71.28	75.24
08	27.72	31.68	20	75.24	79.20
09	31.68	35.64	21	79.20	83.16
10	35.64	39.60	22	83.16	87.12
11	39.60	43.56	23	87.12	91.08
12	43.56	47.52	24	91.08	95.04
13	47.52	51.48			

Order Information:

L-KLS1-MT-3.96-XX-R1

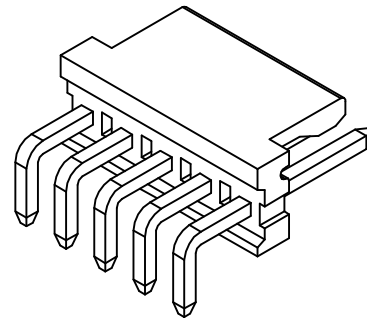
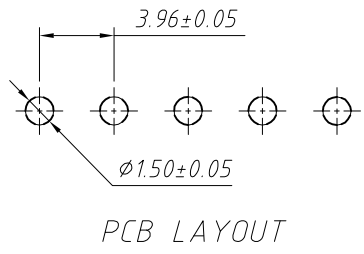
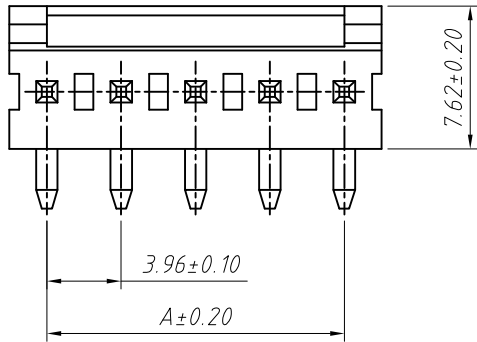
L: RoHS
IDC connectors
3.96mm Pitch
XX-No.of:02~24pin
R1 Type , R2 Type

ANGLE TOLERANCE	PROJECTION	Description:	
±3°		3.96mm AMP Type IDC Connector	
GENERAL TOLERANCE	UNITS	mm	KLS P/N:
x.x ±0.30	SHEET SIZE	A4	L-KLS1-MT-3.96-XX-R1/R2
x.xx ±0.20	Draw:	Daniel	2018-07-10
x.xxx ±0.10	Check:	Daniel	2018-07-10



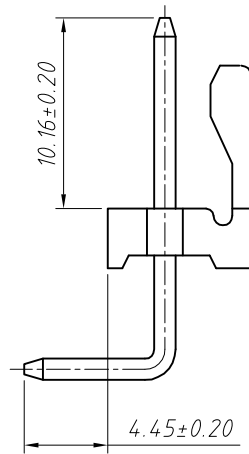
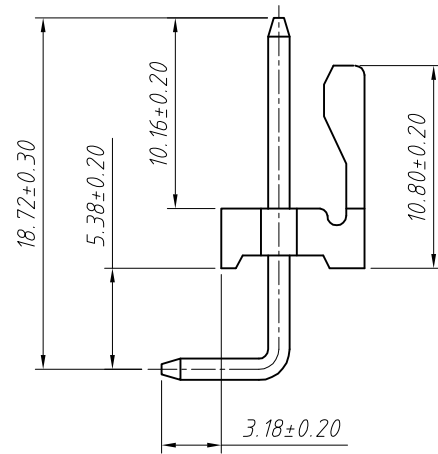
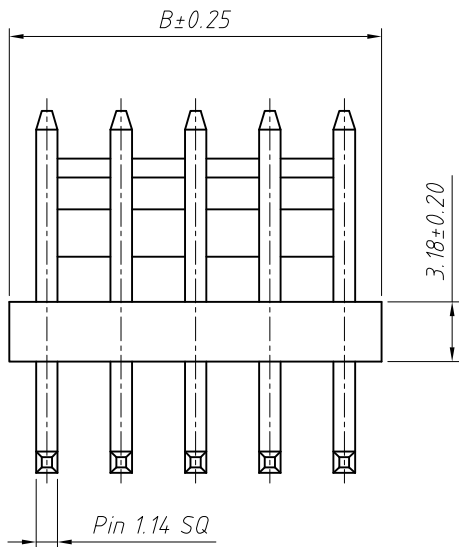
NingBo KLS ELECTRONIC CO.,L TD.

1
RoHS Compliance



Material:
Housing:Nylon66 UL94V-0,Color:Natural
Contacts:Brass,Tin over Nickel

Electrical Specification:
Rated Voltage:250V AC/DC
Rated Current:7A
Contact Resistance:10mΩ max
Insulation Resistance:1000MΩ min
Withstand voltage:1500V AC/MIN
Temperature range for usage:-40°C ~ +105°C



Type R3

Type R4

Pin	Dimension mm		Pin	Dimension mm	
	A	B		A	B
02	3.96	7.92	14	51.48	55.44
03	7.92	11.88	15	55.44	59.40
04	11.88	15.84	16	59.40	53.36
05	15.84	19.80	17	53.36	67.32
06	19.80	23.76	18	67.32	71.28
07	23.76	27.72	19	71.28	75.24
08	27.72	31.68	20	75.24	79.20
09	31.68	35.64	21	79.20	83.16
10	35.64	39.60	22	83.16	87.12
11	39.60	43.56	23	87.12	91.08
12	43.56	47.52	24	91.08	95.04
13	47.52	51.48			

Order Information:
L-KLS1-MT-3.96-XX-R3

L: RoHS
IDC connectors
3.96mm Pitch
XX-No.of:02~24pin
R3 Type , R4 Type

ANGLE TOLERANCE	PROJECTION	Description:	
±3°		3.96mm AMP Type IDC Connector	
GENERAL TOLERANCE	UNITS	mm	KLS P/N:
x.x ±0.30	SHEET SIZE	A4	L-KLS1-MT-3.96-XX-R3/R4
x.xx ±0.20	Draw:	Daniel	2018-07-10
x.xxx ±0.10	Check:	Daniel	2018-07-10

