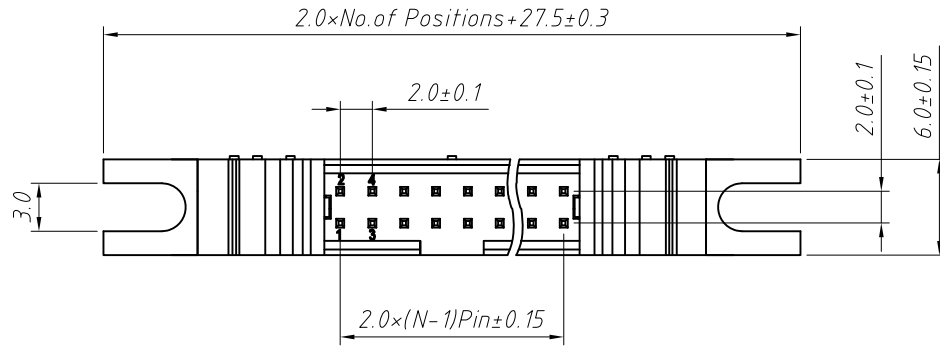


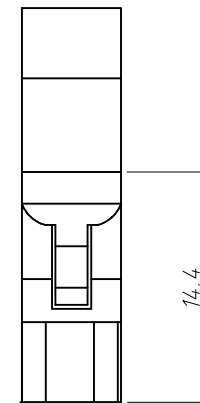
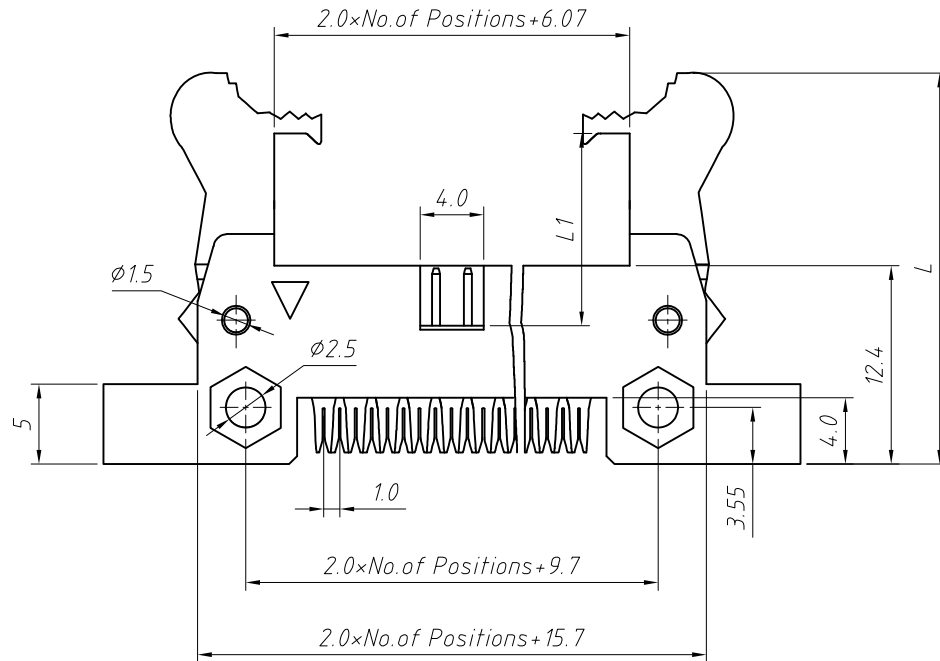
RoHS Compliance



NAME	DIM L	DIM L1
Long latch	24.00	11.50
Short latch	21.20	8.70

Material:
Housing: PBT UL94V-0
Contacts: Brass
Plating: Au or Sn Over Ni

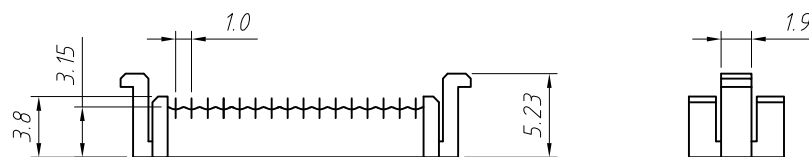
Electrical Characteristics:
Current Rating: 1.5 AMP
Withstand Voltage: 500V AC/Minute
Insulator Resistance: 1000M Ohm min
Contact Resistance: 20m Ohm max.
Operating Temperature: -40°C ~ +105°C
Max.Processing Temp: 180°C for 30-60 seconds
(200°C for 10 seconds)



Order Information:

L-KLS1-201BY-XX-G-E-L

L: RoHS
IDC connectors
2.0mm Pitch
XX-No.of 08 ~ 64pin
Color: B-Black G-Gray
Type: _____
E-With ears N-Without ears
Latch Type _____
L-Long latch S-Short latch

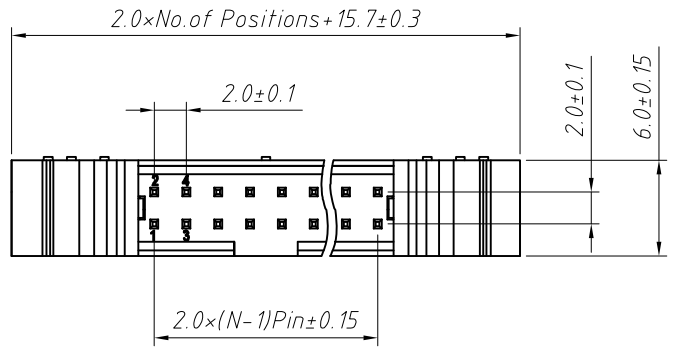


ANGLE TOLERANCE	PROJECTION	Description:
±3°		2.0mm Pitch IDC Ejector header connectors
GENERAL TOLERANCE	UNITS	mm
x.x ±0.30	SHEET SIZE	A4
x.xx ±0.20	Draw:	Daniel 2018-07-10
x.xxx ±0.10	Check:	Daniel 2018-07-10



NingBo KLS ELECTRONIC CO.,LTD.

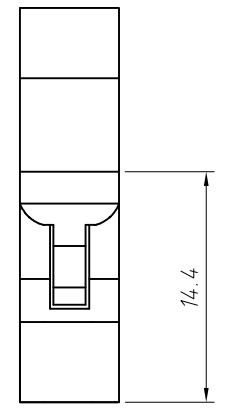
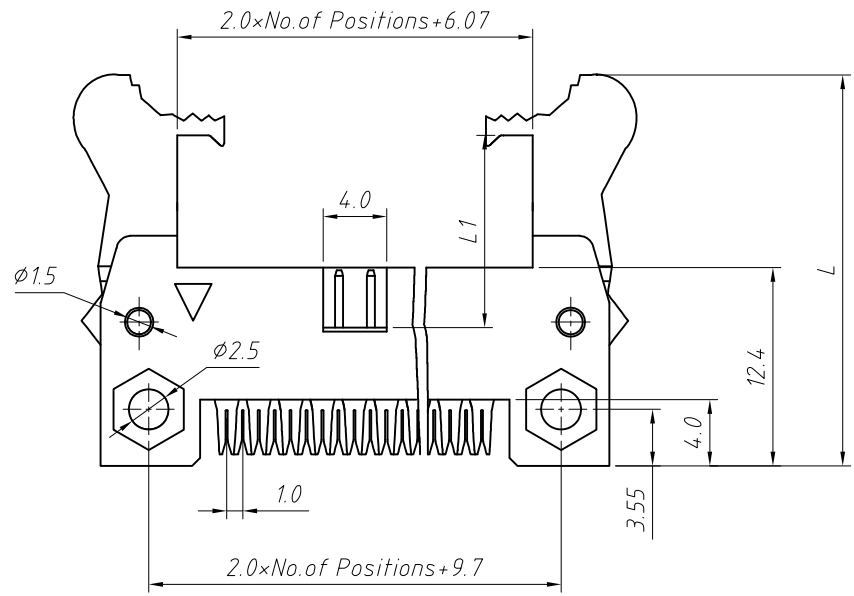
1
RoHS Compliance



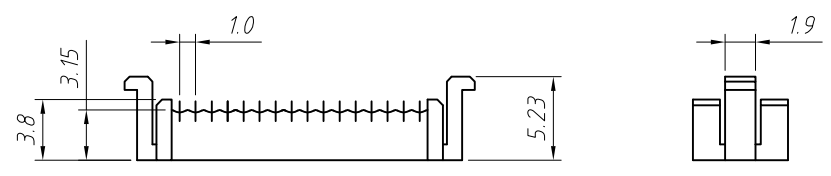
NAME	DIM L	DIM L1
Long latch	24.00	11.50
Short latch	21.20	8.70

Material:
Housing: PBT UL94V-0
Contacts: Brass
Plating: Au or Sn Over Ni

Electrical Characteristics:
Current Rating: 1.5 AMP
Withstand Voltage: 500V AC/Minute
Insulator Resistance: 1000M Ohm min
Contact Resistance: 20m Ohm max.
Operating Temperature: -40°C ~ +105°C
Max.Processing Temp: 180°C for 30-60 seconds
(200°C for 10 seconds)



Order Information:
L-KLS1-201BY-XX-G-N-L
L: RoHS
IDC connectors
2.0mm Pitch
XX-No. of 08 ~ 64pin
Color: B-Black G-Gray
Type: _____
E-With ears N-Without ears
Latch Type _____
L-Long latch S-Short latch



ANGLE TOLERANCE	PROJECTION	Description:
±3°		2.0mm Pitch IDC Ejector header connectors
GENERAL TOLERANCE	UNITS	mm
x.x ±0.30	SHEET SIZE	A4
x.xx ±0.20	Draw:	Daniel 2018-07-10
x.xxx ±0.10	Check:	Daniel 2018-07-10

NingBo KLS ELECTRONIC CO.,LTD.