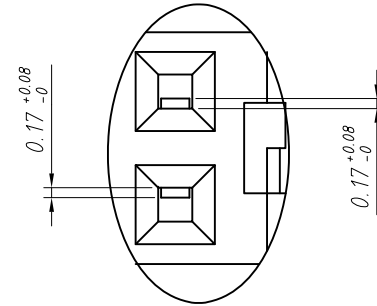
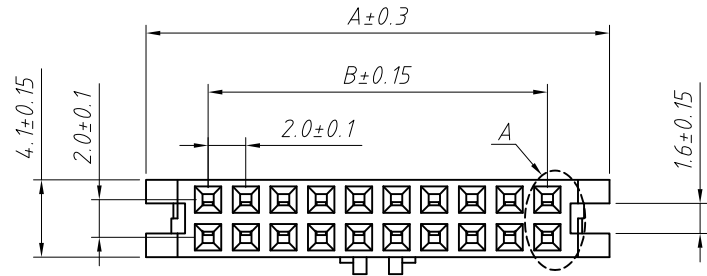


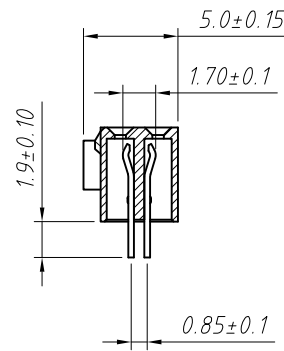
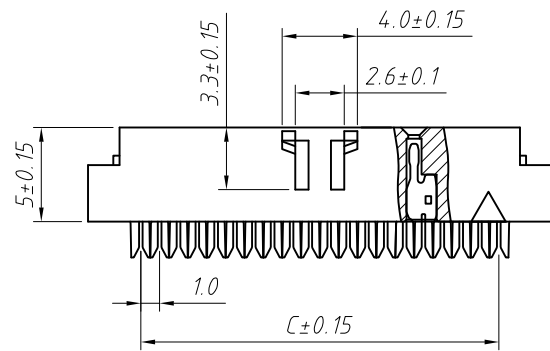
RoHS Compliance



DETAIL A
Scale: 3:1

Material:
Housing: 30% Glass filled PBT UL94V-0
Contacts: Phosphor Bronze
Plating: Au or Sn over 50u" nickel

Electrical Characteristics:
Current Rating: 1.0 AMP
Insulator Resistance: 1000M Ohm min.
Withstand Voltage: 1000V AC / Minute
Contact Resistance: 20m Ohm max.
Operating Temperature: -40°C ~ +105°C
Max.Processing Temp: 180°C for 30-60 seconds
(200°C for 10 seconds)

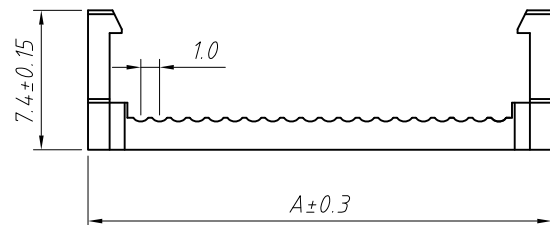


Order Information:

L-KLS1-204BD-XX-B

L: RoHS
IDC connectors
2.00mm Pitch
XX-No. of 06 ~ 64pin
Color: _____
B=Black G=Gray L=Blue

| Pin | Dimension mm | | |
|-----|--------------|-------|-------|
| | A | B | C |
| 06 | 10.60 | 4.00 | 5.00 |
| 08 | 12.60 | 6.00 | 7.00 |
| 10 | 14.60 | 8.00 | 9.00 |
| 12 | 16.60 | 10.00 | 11.00 |
| 14 | 18.60 | 12.00 | 13.00 |
| 16 | 20.60 | 14.00 | 15.00 |
| 20 | 24.60 | 18.00 | 19.00 |
| 26 | 30.60 | 24.00 | 25.00 |
| 30 | 34.60 | 28.00 | 29.00 |
| 34 | 33.60 | 32.00 | 33.00 |
| 40 | 44.60 | 38.00 | 39.00 |
| 44 | 48.60 | 42.00 | 43.00 |
| 50 | 54.60 | 48.00 | 49.00 |
| 64 | 68.60 | 62.00 | 63.00 |



| ANGLE TOLERANCE | PROJECTION | Description: |
|-------------------|------------|--------------------------------------|
| ±3° | | Pitch 2.0mm IDC Socket Connector AMP |
| GENERAL TOLERANCE | UNITS | mm |
| x.x ±0.30 | SHEET SIZE | A4 |
| x.xx ±0.20 | Draw: | Daniel 2018-07-10 |
| x.xxx ±0.10 | Check: | Daniel 2018-07-10 |



NingBo KLS ELECTRONIC CO.,LTD.