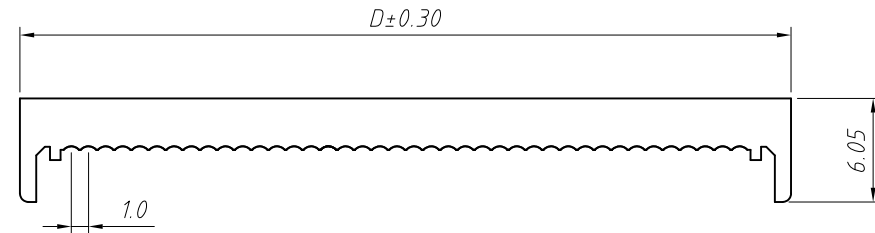


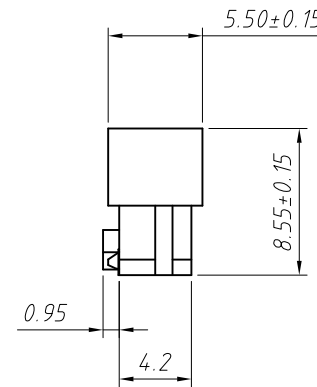
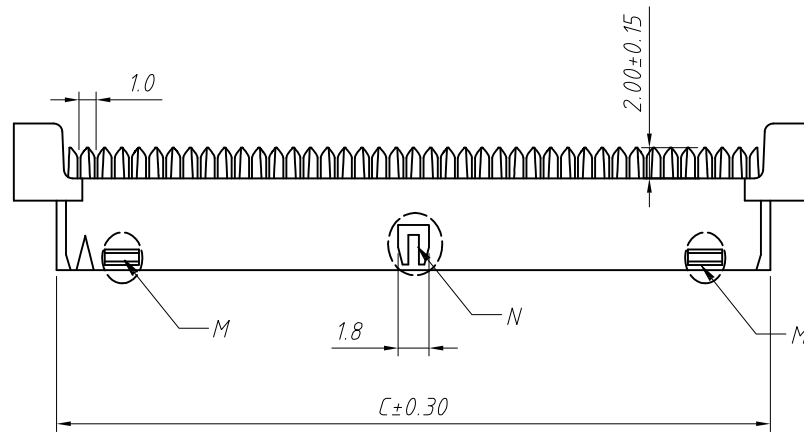
1 RoHS Compliance



Material:
 Housing: PBT, UL 94V-0
 Contacts: Brass
 Plating: Au or Sn over 50u" nickel

Electrical Characteristics:
 Current Rating: 1.0 AMP
 Withstand Voltage: 1000V AC
 Insulator Resistance: 1000M Ohm min
 Contact Resistance: 20m Ohm max.
 Operating Temperature: $-40^{\circ}\text{C} \sim +105^{\circ}\text{C}$
 Max. Processing Temp: 180°C for 30-60 seconds
 (200°C for 10 seconds)

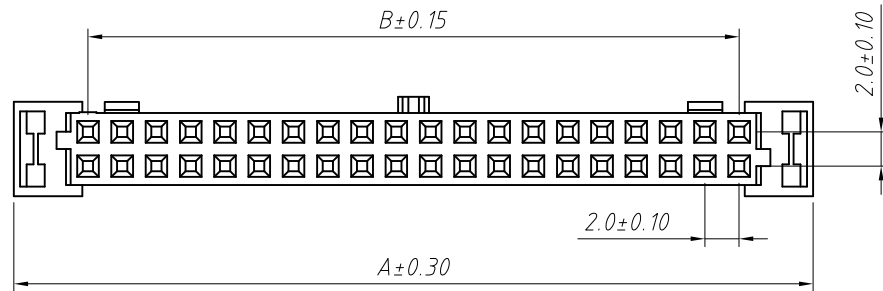
Note:
 10P ~ 12P With Slot N, Without Slot M
 14P ~ 50P With Slot M and N
 10P ~ 50P With Slot N, Without Slot M



Order Information:
 L-KLS1-204BE-XX-B

 L: RoHS
 IDC connectors
 2.00mm Pitch
 XX-No. of 06 ~ 100pin
 Color: B=Black G=Gray L=Blue

Pin	Dimension mm			
	A	B	C	D
10	16.65	8.00	11.65	15.00
12	18.65	10.00	13.65	17.00
14	20.65	12.00	15.65	19.00
16	22.65	14.00	17.65	21.00
20	26.65	18.00	21.65	25.00
22	28.65	20.00	23.65	27.00
24	30.65	22.00	25.65	29.00
26	32.65	24.00	27.65	31.00
30	36.65	28.00	31.65	35.00
32	38.65	30.00	33.65	37.00
34	40.65	32.00	35.65	39.00
36	42.65	34.00	37.65	41.00
40	46.65	38.00	41.65	45.00
44	50.65	42.00	45.65	49.00
50	56.65	48.00	51.65	55.00



ANGLE TOLERANCE	PROJECTION	Description:
$\pm 3^{\circ}$		Pitch 2.0mm IDC Socket Connector
GENERAL TOLERANCE	UNITS	mm
x.x ± 0.30	SHEET SIZE	A4
x.xx ± 0.20	Draw:	Daniel 2018-07-10
x.xxx ± 0.10	Check:	Daniel 2018-07-10



NingBo KLS ELECTRONIC CO.,LTD.