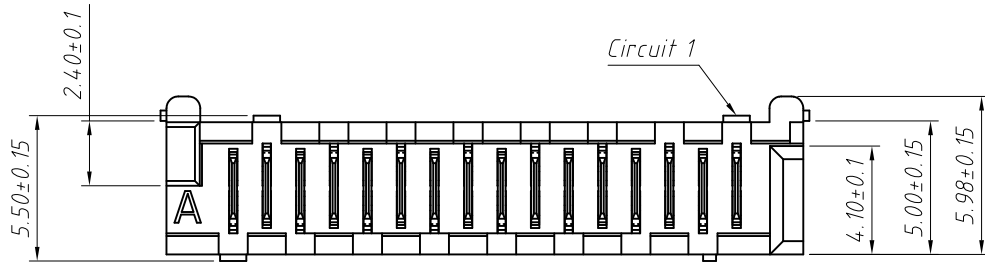


1 RoHS Compliance



Order Information:

L-KLS1-MICS-XX

L: RoHS

IDC connectors

1.27mm Pitch

XX-No. of 04 ~ 26pin

Material:

Housing: PA6T UL 94V-0, Black

Contacts: Brass

Plating: Sn over 50u" nickel

Electrical Characteristics:

Current Rating: 1.2 AMP

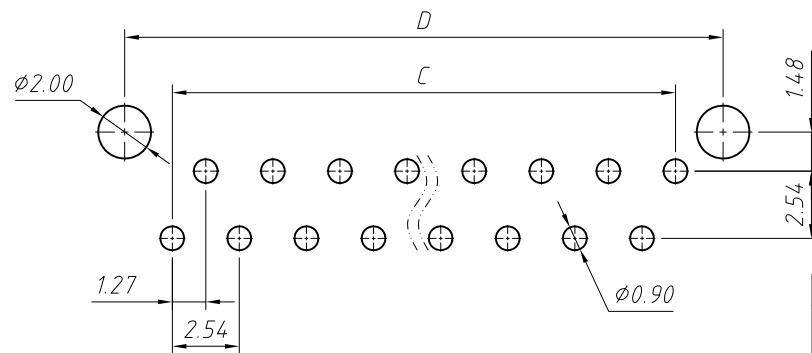
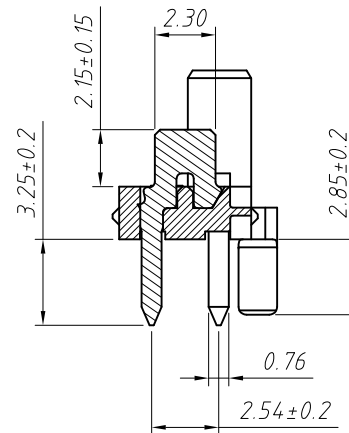
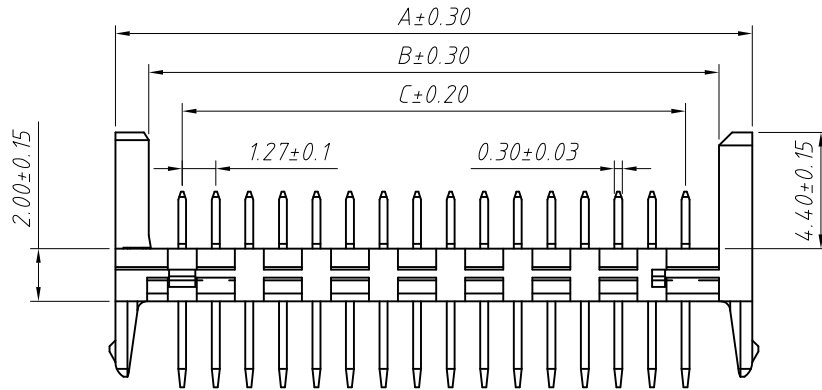
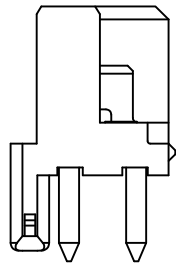
Voltage Rating: 250V AC

Insulator Resistance: 1000M Ohm min.

Withstand Voltage: 500V AC / Minute

Contact Resistance: 20m Ohm max.

Operating Temperature: -40°C ~ +105°C



Recommended P.C.B Layout (Top Side)
(PCB BOARD TOLERANCE ±0.05)

| Pin | Dimension mm | | | |
|-----|--------------|-------|-------|-------|
| | A | B | C | D |
| 04 | 8.86 | 6.35 | 3.81 | 7.41 |
| 06 | 11.40 | 8.89 | 6.35 | 9.95 |
| 08 | 13.94 | 11.43 | 8.89 | 12.49 |
| 10 | 16.48 | 13.94 | 11.43 | 15.03 |
| 12 | 19.02 | 16.51 | 13.97 | 17.57 |
| 14 | 21.56 | 19.05 | 16.51 | 20.11 |
| 16 | 24.10 | 21.59 | 19.05 | 22.65 |
| 18 | 26.64 | 24.13 | 21.59 | 25.19 |
| 20 | 29.18 | 26.67 | 24.13 | 27.73 |
| 22 | 31.72 | 29.21 | 26.67 | 30.27 |
| 24 | 34.26 | 31.75 | 29.21 | 32.81 |
| 26 | 36.80 | 34.29 | 31.75 | 35.35 |

| | | | |
|-------------------|------------|--------------------------------------------------------------|----------------|
| ANGLE TOLERANCE | PROJECTION | Description: | |
| ±3° | | 1.27mm Pitch MOLEX 90325 Picoflex Ribbon Cable Connectors | |
| GENERAL TOLERANCE | UNITS | mm | KLS P/N: |
| x.x ±0.30 | SHEET SIZE | A4 | L-KLS1-MICS-XX |
| x.xx ±0.20 | Draw: | Daniel | 2018-07-10 |
| x.xxx ±0.10 | Check: | Daniel | 2018-07-10 |



NingBo KLS ELECTRONIC CO., L TD.