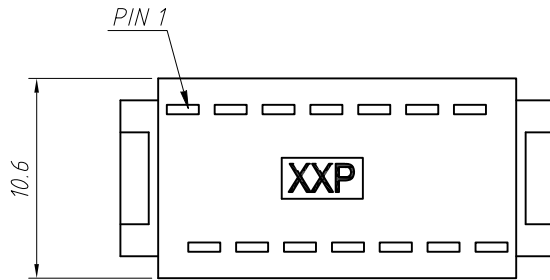
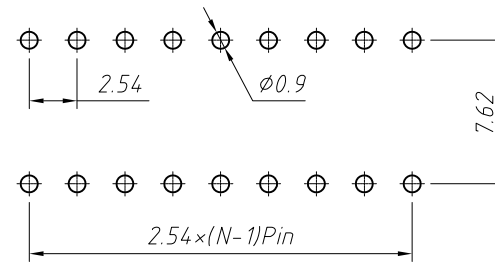


1 RoHS Compliance

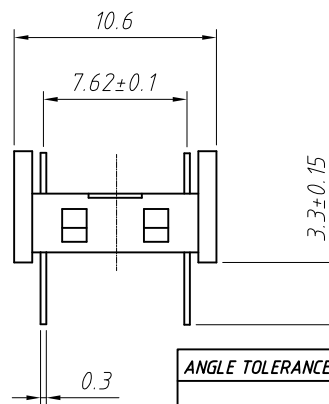
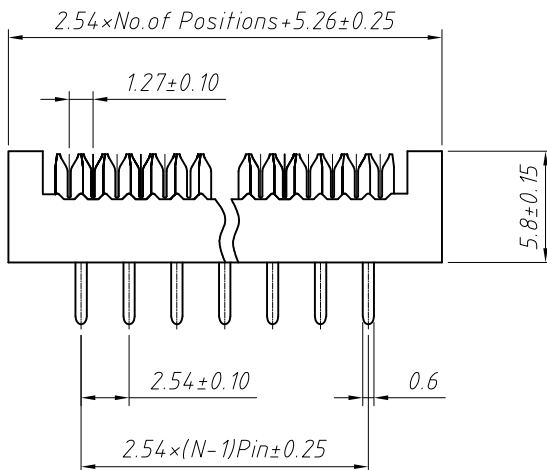
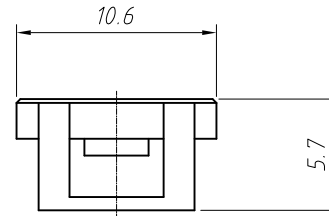
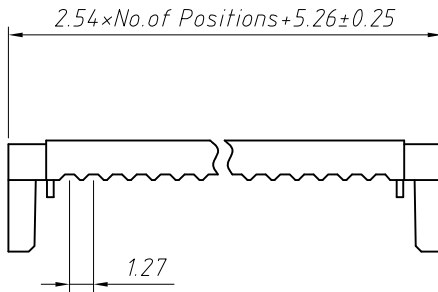


Recommended P.C.B Layout (Top Side)
(PCB BOARD TOLERANCE ±0.05)



Material:
Housing: PBT, UL94V-0
Contacts: Brass
Plating: Au or Sn Over Ni

Electrical Characteristics:
Current Rating: 3.0 AMP
Withstand Voltage: 500V AC
Insulator Resistance: 1000M Ohm min
Contact Resistance: 20m Ohm max.
Operating Temperature: $-40^{\circ}\text{C} \sim +105^{\circ}\text{C}$
Max. Processing Temp: 180°C for 30-60 seconds
(200°C for 10 seconds)



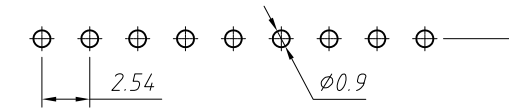
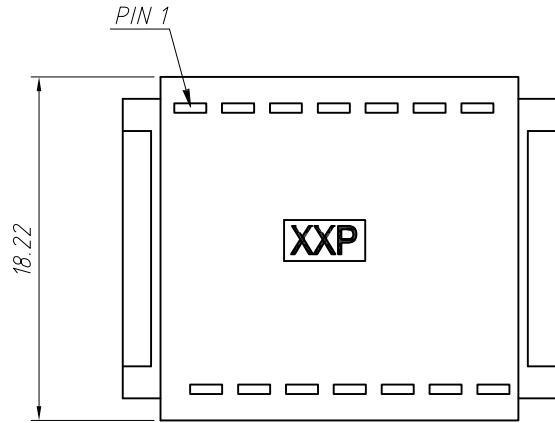
Order Information:
L-KLS1-205X-XX-B
L: RoHS
IDC connectors
2.54x7.62 Dip Plug
XX-No. of 08 ~ 40pin
Color: B-Black G-Gray

ANGLE TOLERANCE	PROJECTION	Description:
$\pm 3^{\circ}$		2.54x7.62mm Pitch Dip Plug IDC Connector
GENERAL TOLERANCE	UNITS	mm
x.x ± 0.30	SHEET SIZE	A4
x.xx ± 0.20	Draw:	Daniel 2018-07-10
x.xxx ± 0.10	Check:	Daniel 2018-07-10

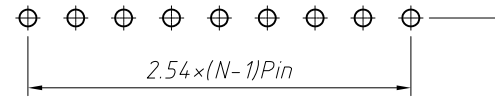
L-KLS1-205X-XX-B

NingBo KLS ELECTRONIC CO.,LTD.

1 RoHS Compliance

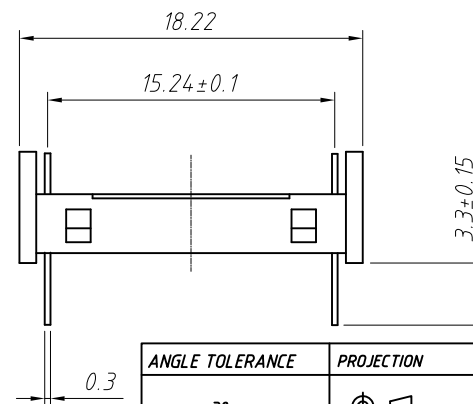
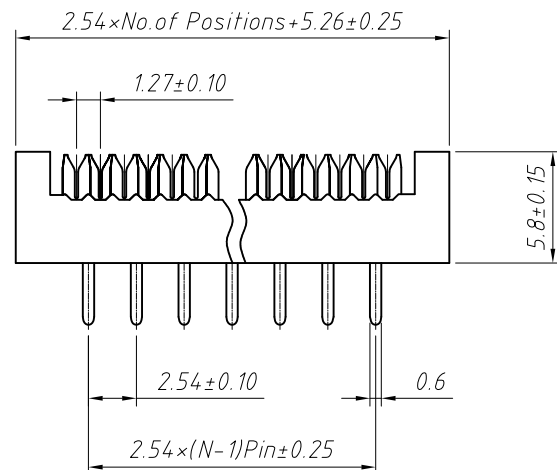
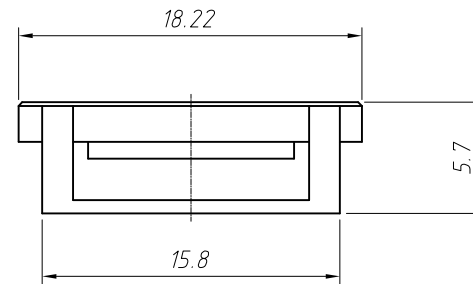
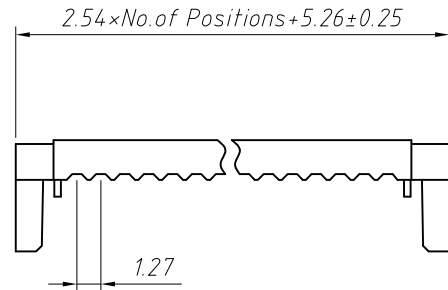


Recommended P.C.B Layout (Top Side)
(PCB BOARD TOLERANCE ±0.05)



Material:
Housing: PBT, UL 94V-0
Contacts: Brass
Plating: Au or Sn Over Ni

Electrical Characteristics:
Current Rating: 3.0 AMP
Withstand Voltage: 500V AC
Insulator Resistance: 1000M Ohm min
Contact Resistance: 20m Ohm max.
Operating Temperature: -40°C ~ +105°C
Max. Processing Temp: 180°C for 30-60 seconds
(200°C for 10 seconds)



Order Information:
L-KLS1-205X-XXD-B
L: RoHS
IDC connectors
2.54x15.24 Dip Plug
XX-No. of 08 ~ 40pin
Color: B-Black G-Gray

ANGLE TOLERANCE	PROJECTION	Description:
±3°		2.54x15.24mm Pitch Dip Plug IDC Connector
GENERAL TOLERANCE	UNITS	mm
x.x ±0.30	SHEET SIZE	A4
x.xx ±0.20	Draw:	Daniel 2018-07-10
x.xxx ±0.10	Check:	Daniel 2018-07-10



NingBo KLS ELECTRONIC CO.,LTD.