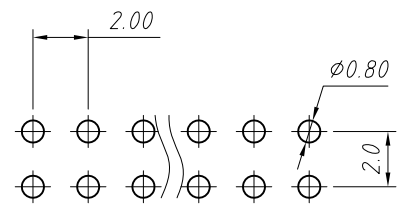
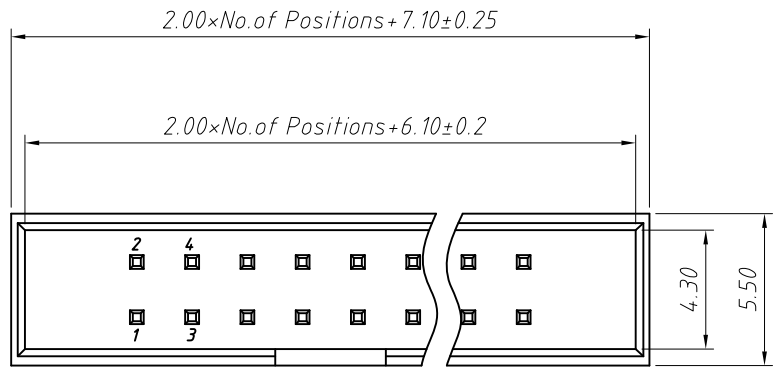


1
RoHS Compliance

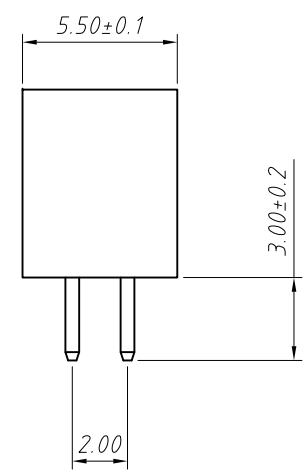
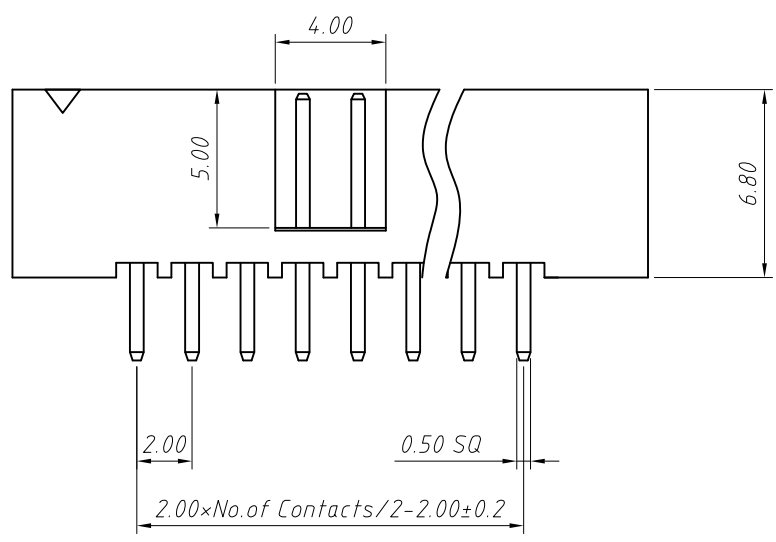


Recommended P.C.B Layout (Top Side)
(PCB BOARD TOLERANCE±0.05)

Material:
Housing:PA6T,UL94V-0
Contact:Brass
Plating:Gold 1u" over 50u" nickel

Electrical Characteristics:
Rated Current: 1.5AMP
Contact Resistance: 20mΩ Max
Withstand Voltage: 400V AC/DC
Insulator Resistance: 800MΩ Min

Mechanical
Operating Temperature: -40°C~+105°C



Order Information:
L-KLS1-202BW-XX-S-B-□

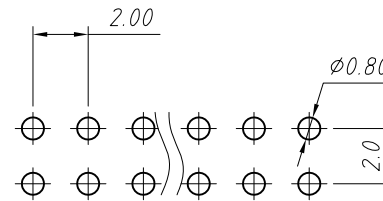
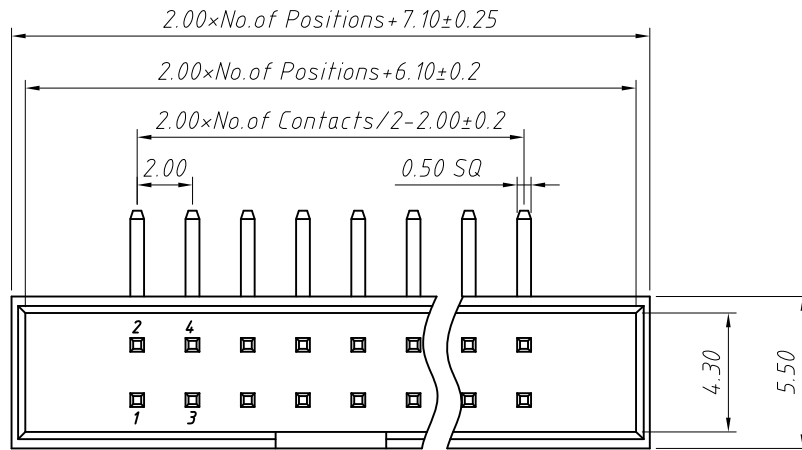
L: RoHS
Box Header Series
202BW:2.00mm Pitch
XX-No. of 06~64 pin
Type:S-Straight pin
R-Right Angle Pin T-SMT Pin
Color:B-Black G-Gray L-Blue
Material:NONE=PA6T
A=PBT C=LCP

ANGLE TOLERANCE	PROJECTION	Description:
±3°		2.0mm Pitch Box Header Connector Height 6.8mm
GENERAL TOLERANCE	UNITS	mm
x.x ±0.30	SHEET SIZE	A4
x.xx ±0.20	Draw:	Daniel 2018-07-10
x.xxx ±0.10	Check:	Daniel 2018-07-10

KLS P/N: L-KLS1-202BW-XX-S-B-□

NingBo KLS ELECTRONIC CO.,LTD.

1 RoHS Compliance

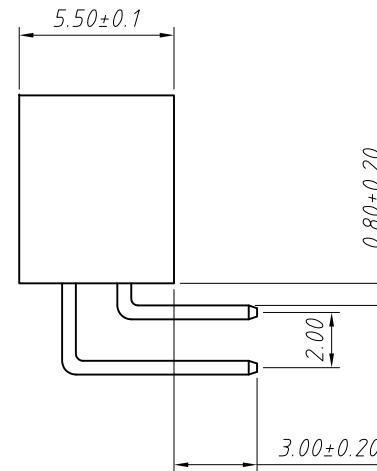
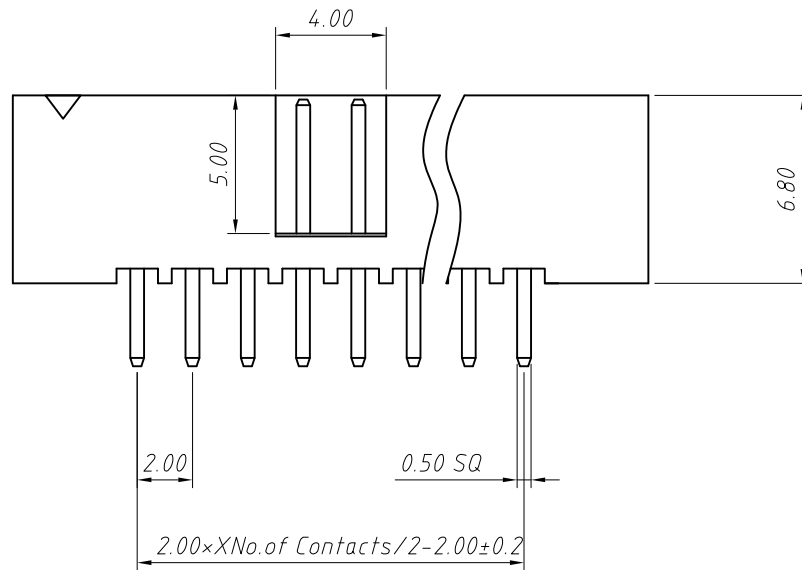


Recommended P.C.B Layout (Top Side)
(PCB BOARD TOLERANCE ± 0.05)

Material:
Housing: PA6T, UL 94V-0
Contact: Brass
Plating: Gold 1u" over 50u" nickel

Electrical Characteristics:
Rated Current: 1.5AMP
Contact Resistance: $20m\Omega$ Max
Withstand Voltage: 400V AC/DC
Insulator Resistance: $800M\Omega$ Min

Mechanical
Operating Temperature: $-40^{\circ}\text{C} \sim +105^{\circ}\text{C}$



Order Information:

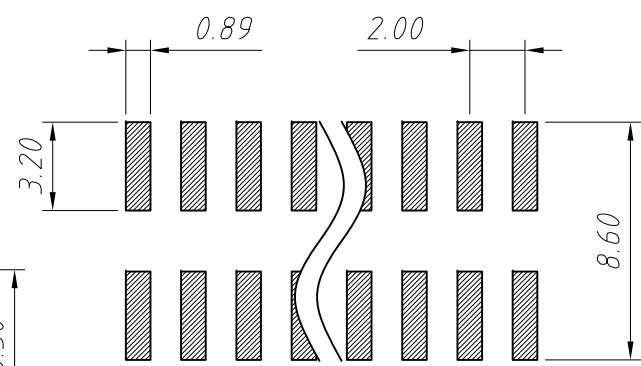
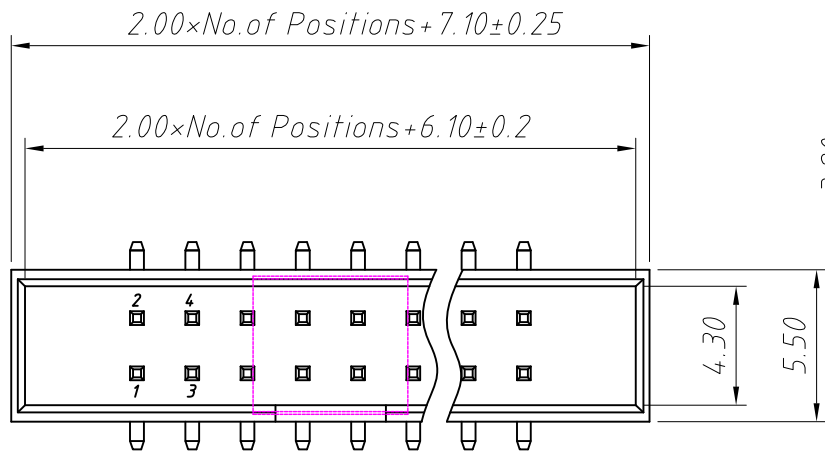
L-KLS1-202BW-XX-R-B-□

L: RoHS
Box Header Series
202BW: 2.00mm Pitch
XX-No. of 06 ~ 64 pin
Type: S-Straight pin
R-Right Angle Pin T-SMT Pin
Color: B-Black G-Gray L-Blue
Material: NONE=PA6T
A=PBT C=LCP

ANGLE TOLERANCE	PROJECTION	Description:
$\pm 3^{\circ}$		2.0mm Pitch Box Header Connector Height 6.8mm
GENERAL TOLERANCE	UNITS	mm
x.x ± 0.30	SHEET SIZE	A4
x.xx ± 0.20	Draw:	Daniel 2018-07-10
x.xxx ± 0.10	Check:	Daniel 2018-07-10
		KLS P/N: L-KLS1-202BW-XX-R-B-□



NingBo KLS ELECTRONIC CO.,LTD.

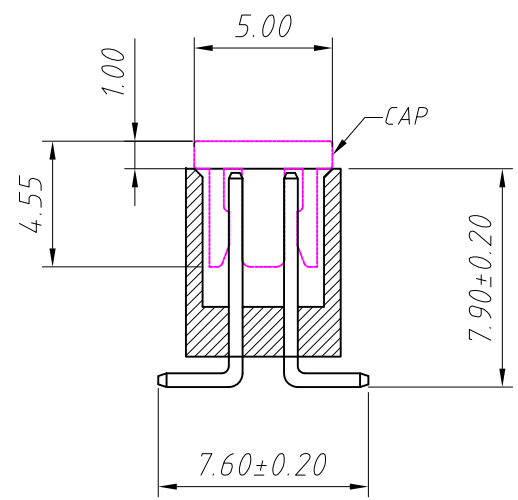
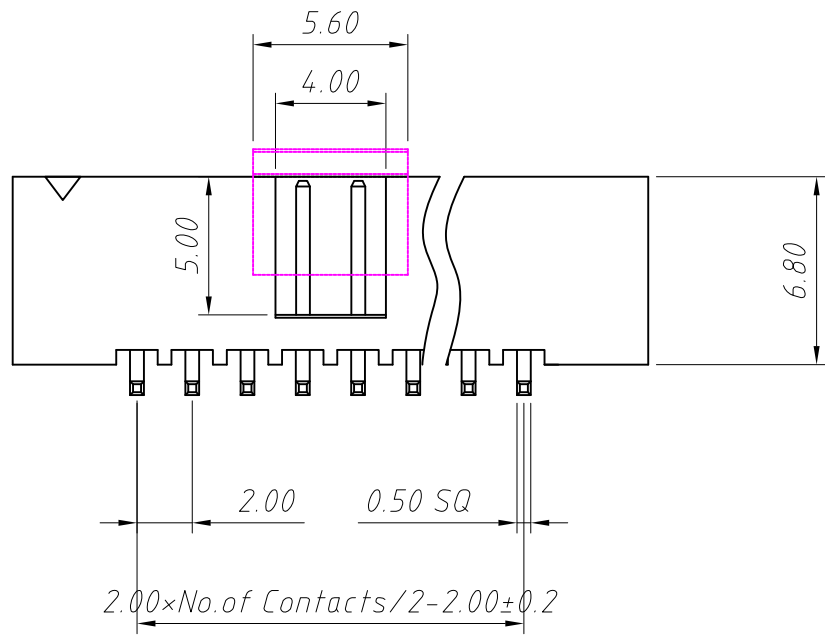


Recommended PCB Layout (Top Side)
PCB Board Tolerance ±0.05

Material:
Housing: PA6T, UL 94V-0
Contact: Brass
Plating: Gold 1u" over 50u" nickel

Electrical Characteristics:
Rated Current: 1.5AMP
Contact Resistance: 20mΩ Max
Withstand Voltage: 400V AC/DC
Insulator Resistance: 800MΩ Min

Mechanical
Operating Temperature: -40°C ~ +105°C
Max. Processing Temp: 230°C for 30-60 seconds (260°C for 10 seconds)



Order Information:
L-KLS1-202BW-XX-T-B-□-T
L: RoHS
Box Header Series
202BW: 2.00mm Pitch
XX-No. of 06 ~ 64 pin
Type: S-Straight Pin
R-Right Angle Pin T-SMT Pin
Color: B-Black G-Gray L-Blue
Material: NONE=PA6T
A=PBT C=LCP
Packing:
T=Tube P=Tube+Cap R=Reel+Cap

GENERAL TOLERANCE	PROJECTION		Description:
X: ±0.50	UNITS	mm	2.0mm Pitch Box Header Connector Height 6.8mm
.X: ±0.25	SCALE	1:1	
.XX: ±0.10	Draw by:	Jenny	
ANGLE TOLERANCE	Check by:		KLS P/N: L-KLS1-202BW-XX-T-B-□-T
X: ±5°	Date	2018-03-01	 NingBo KLS ELECTRONIC CO., L TD.
.X: ±3°	SHEET	1 OF 1	
.XX: ±2°			