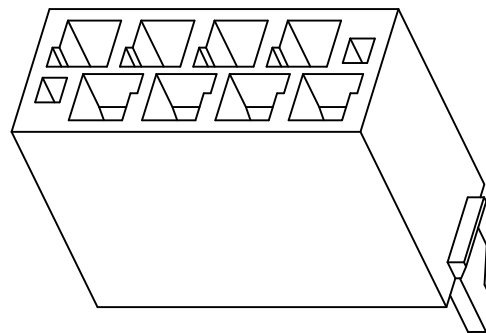
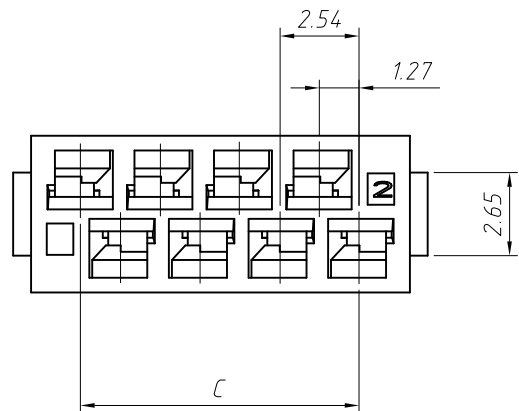
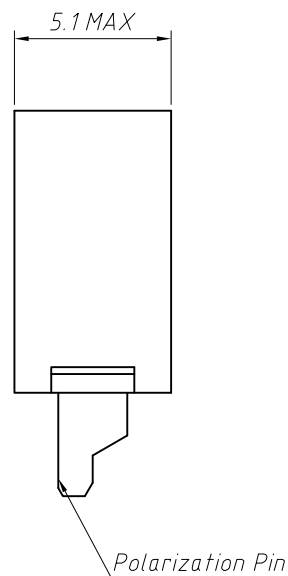
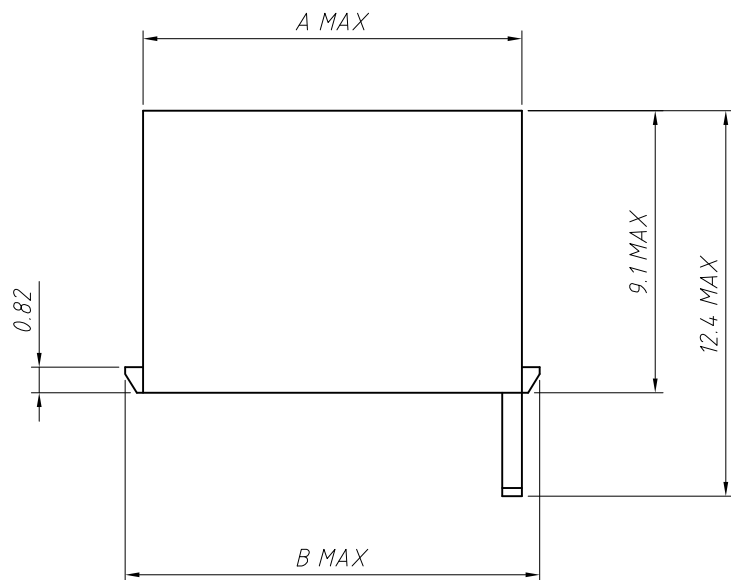


1 RoHS Compliance



Material:
Housing: PBT/ PA46 UL94V-0
Contacts: Phosphor Bronze

Electrical Characteristics:
Current Rating: 1.0 AMP
Contact Resistance: 20m Ohm max.
Insulator Resistance: 1000M Ohm min.
Operating Temperature: -40°C ~ +105°C



Order Information:

L-KLS1-204FL-XX-H-R-□

L: RoHS

Pitch: 2.54mm

XX-No. of 04 ~ 20pin

Type: H=Housing

Color: R=Red B=Black

Material: NONE=PBT E=PA46

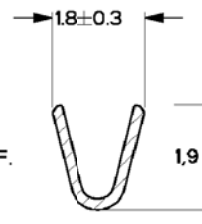
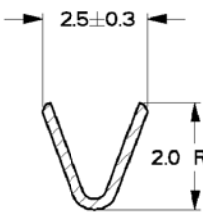
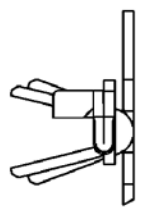
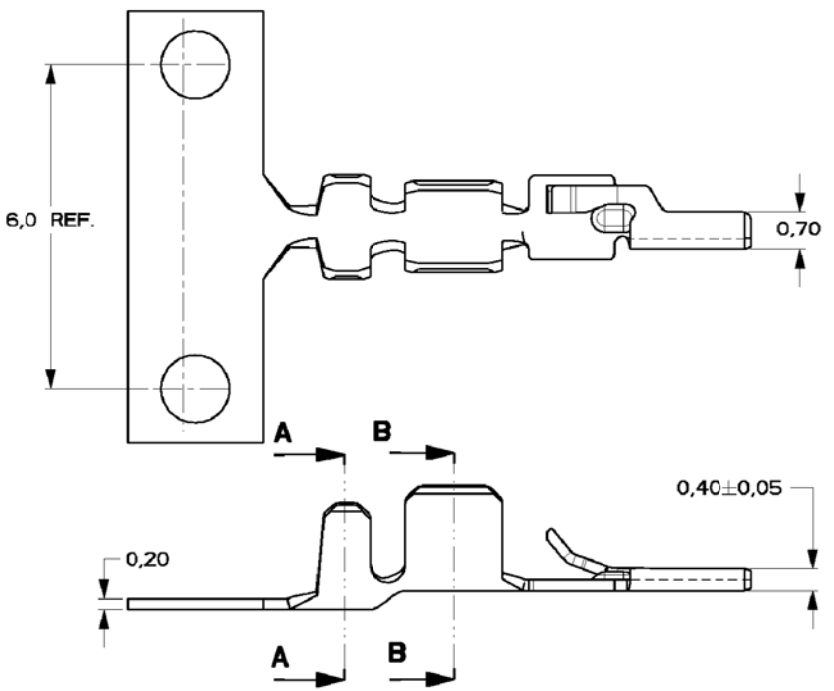
Poles	DIM.A	DIM.B	DIM.C	Qty/Tube	Poles	DIM.A	DIM.B	DIM.C	Qty/Tube
04	7.2	8.4	3.81	900	14	19.9	21.1	16.51	350
06	9.8	10.9	6.35	700	16	22.5	23.6	19.05	300
08	12.3	13.5	8.89	500	18	25.0	26.2	21.59	250
10	14.9	16.0	11.43	450	20	27.6	28.7	24.13	200
12	17.4	18.5	13.97	400					

ANGLE TOLERANCE	PROJECTION	Description:
±3°		Micro match Connector Housing
GENERAL TOLERANCE	UNITS	mm
x.x ±0.30	SHEET SIZE	A4
x.xx ±0.20	Draw:	Daniel 2018-07-10
x.xxx ±0.10	Check:	Daniel 2018-07-10
		KLS P/N: L-KLS1-204FL-XX-H-R-□



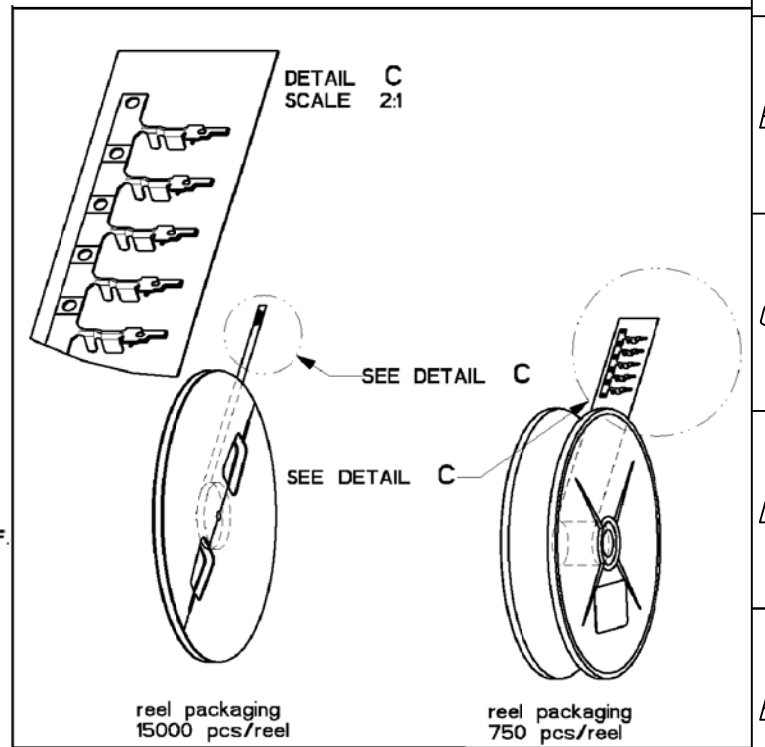
NingBo KLS ELECTRONIC CO.,L TD.

1
RoHS Compliance

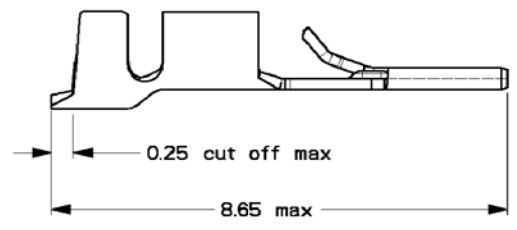
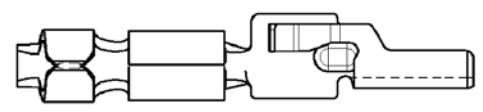


SECTION A-A

SECTION B-B



- NOTES:**
1. WIRE RANGE 24-20 AWG
 2. INSULATION RANGE ϕ .50- .060 (1,27-1,52 mm)
 3. FOR APPLICATOR USE ONLY
 4. FOR HANDTOOL USE ONLY
 5. FOR APPLICABLE CONNECTOR HOUSINGS SEE C-338095.



ANGLE TOLERANCE	PROJECTION	Description:	
±3°		Micro match Connector Terminal (Reel)	
GENERAL TOLERANCE	UNITS	mm	KLS P/N:
x.x ±0.30	SHEET SIZE	A4	L-KLS1-204FL-T
x.xx ±0.20	Draw:	Daniel	2018-07-10
x.xxx ±0.10	Check:	Daniel	2018-07-10

