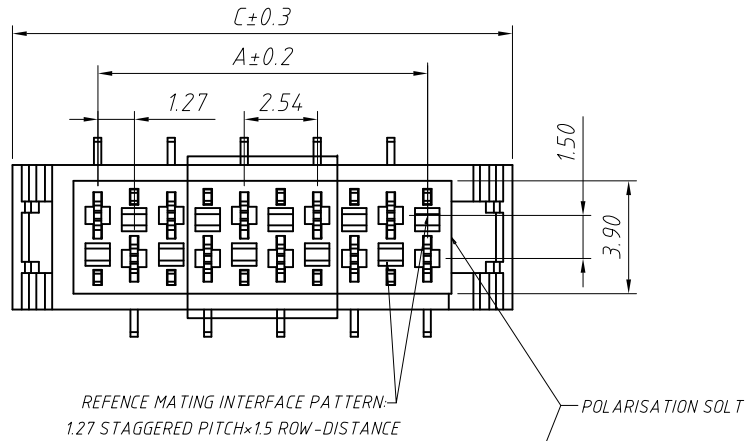


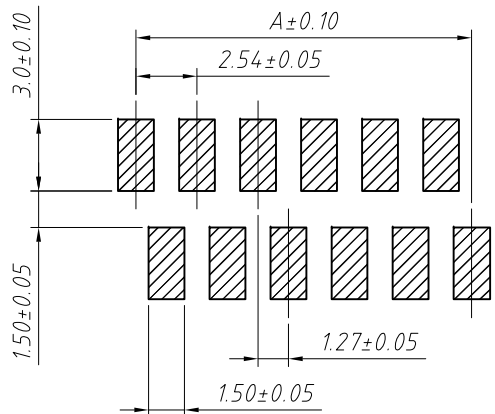
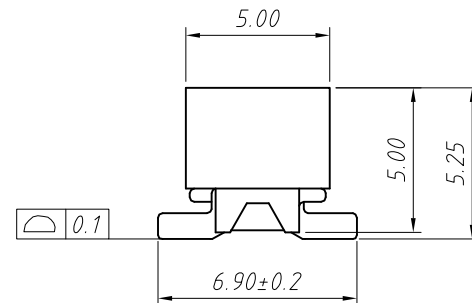
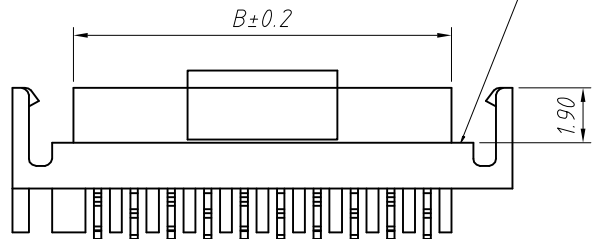
RoHS Compliance



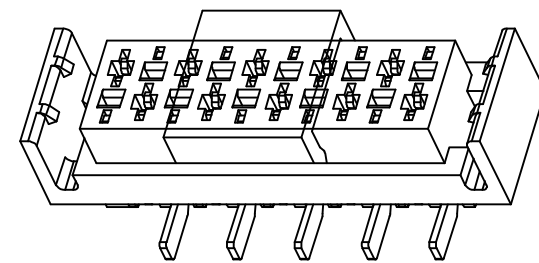
Poles	DIM.A	DIM.B	DIM.C	Qty/Tube
04	3.81	5.50	9.71	59
06	6.35	8.04	12.25	47
08	8.89	10.58	14.79	39
10	11.43	13.12	17.33	33
12	13.97	15.66	19.87	29
14	16.51	18.20	22.41	25
16	19.05	20.74	24.95	23
18	21.59	23.28	27.49	21
20	24.13	25.82	30.03	19
22	26.67	28.36	32.57	17
24	29.21	30.90	35.11	16
26	31.75	33.44	37.65	15

**Material:**  
 Housing: PA46/PA9T UL94V-0  
 Contacts: Phosphor bronze  
 Plating: Sn over 50u" nickel

**Electrical Characteristics:**  
 Current Rating: 1.0 AMP  
 Voltage Rating: 230V AC/DC  
 Withstand voltage: 500V AC/Minute  
 Contact Resistance: 20m Ohm max.  
 Insulator Resistance: 1000M Ohm min.  
 Operating Temperature: -40°C ~ +105°C



Recommended P.C.B Layout



**Order Information:**  
 L-KLS1-204GE-XX-R-□-□  
 L: RoHS  
 Pitch: 2.54mm  
 XX-No. of 04 ~ 26pin  
 Color: R-Red B-Black  
 Material: NONE=PA9T E=PA46  
 Packing: TC=Cap+Tube C-R=Cap+Reel

ANGLE TOLERANCE		PROJECTION		Description:	
±3°				Micro Match Connector Female SMT With Ear	
GENERAL TOLERANCE		UNITS	mm	KLS P/N:	L-KLS1-204GE-XX-R-□-□
x.x	±0.30	SHEET SIZE	A4		
x.xx	±0.20	Draw:	Daniel	2018-07-10	
x.xxx	±0.10	Check:	Daniel	2018-07-10	

