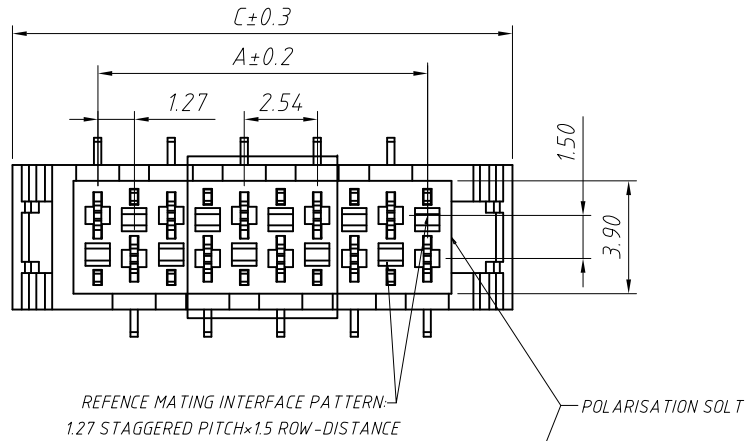


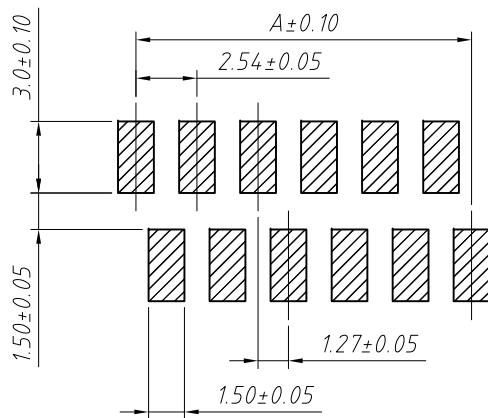
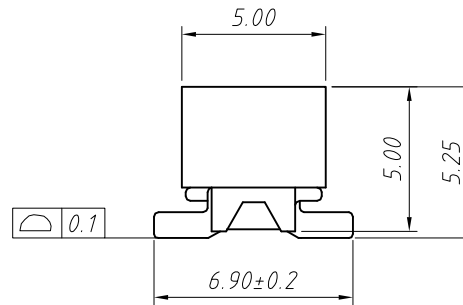
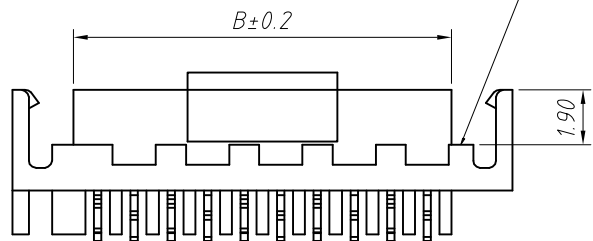
1
RoHS Compliance



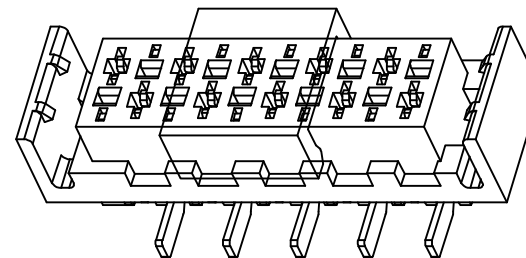
Poles	DIM.A	DIM.B	DIM.C	Qty/Tube
04	3.81	5.50	9.71	59
06	6.35	8.04	12.25	47
08	8.89	10.58	14.79	39
10	11.43	13.12	17.33	33
12	13.97	15.66	19.87	29
14	16.51	18.20	22.41	25
16	19.05	20.74	24.95	23
18	21.59	23.28	27.49	21
20	24.13	25.82	30.03	19
22	26.67	28.36	32.57	17
24	29.21	30.90	35.11	16
26	31.75	33.44	37.65	15

Material:
Housing: PA46/PA9T UL 94V-0
Contacts: Phosphor bronze
Plating: Sn over 50u" nickel

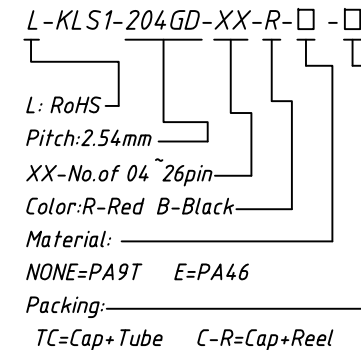
Electrical Characteristics:
Current Rating: 1.0 AMP
Voltage Rating: 230V AC/DC
Withstand voltage: 500V AC/Minute
Contact Resistance: 20m Ohm max.
Insulator Resistance: 1000M Ohm min.
Operating Temperature: -40°C ~ +105°C



Recommended P.C.B Layout



Order Information:



ANGLE TOLERANCE		PROJECTION		Description:	
±3°				Micro Match Connector Female SMT With Ear	
GENERAL TOLERANCE		UNITS	mm	KLS P/N:	L-KLS1-204GD-XX-R-□-□
x.x	±0.30	SHEET SIZE	A4		
x.xx	±0.20	Draw:	Daniel	2018-07-10	
x.xxx	±0.10	Check:	Daniel	2018-07-10	



NingBo KLS ELECTRONIC CO.,LTD.