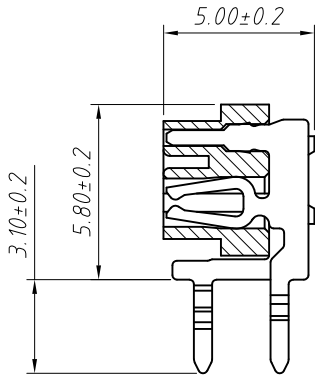
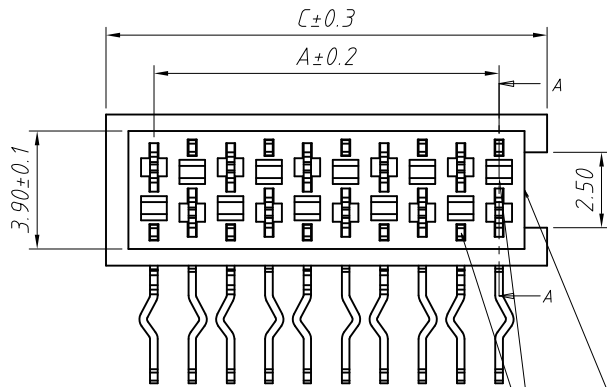


1 RoHS Compliance



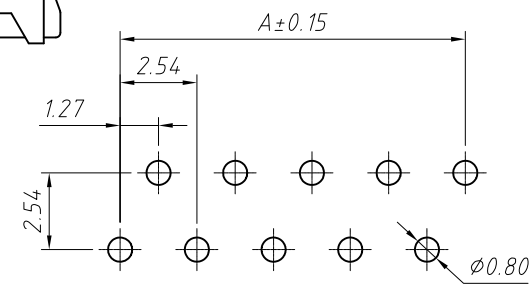
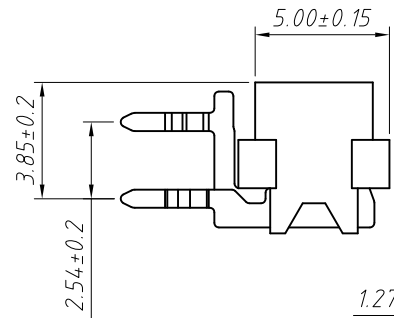
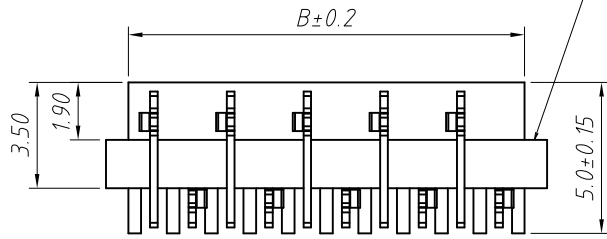
Poles	DIM.A	DIM.B	DIM.C	Qty/Tube
04	3.81	5.50	6.99	82
06	6.35	8.04	9.53	60
08	8.89	10.58	12.07	48
10	11.43	13.12	14.61	39
12	13.97	15.66	17.15	33
14	16.51	18.20	19.69	29
16	19.05	20.74	22.23	26
18	21.59	23.28	24.77	23
20	24.13	25.82	27.31	21
22	26.67	28.36	29.85	19
24	29.21	30.90	32.39	17
26	31.75	33.44	34.93	16

Material:
 Housing: PBT/PA46/PA9T UL94V-0
 Contacts: Phosphor bronze
 Plating: Sn over 50u" nickel

Electrical Characteristics:
 Current Rating: 1.0 AMP
 Voltage Rating: 230V AC/DC
 Withstand voltage: 500V AC/Minute
 Contact Resistance: 20m Ohm max.
 Insulator Resistance: 1000M Ohm min.
 Operating Temperature: -40°C ~ +105°C

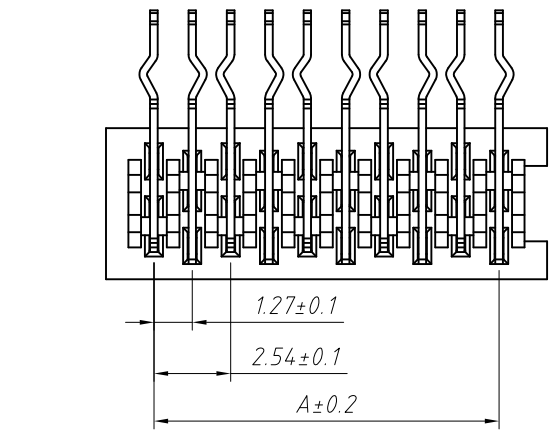
0.25±0.05 REFERENCE MATING INTERFACE PATTERN:
 1.27 STAGGERED PITCH×1.5 ROW-DISTANCE

POLARISATION SOLT



Recommended P.C.B Layout

Order Information:
 L-KLS1-204FR-XX-R-□-□
 L: RoHS
 Pitch: 2.54mm
 XX-No. of 04 ~ 26pin
 Color: R-Red B-Black
 Material:
 A=PBT D=PA9T E=PA46
 Packing:
 NONE=Cap+Tube C-R=Cap+Reel



ANGLE TOLERANCE	PROJECTION	Description:
±3°		Micro Match Connector Female DIP 90°
GENERAL TOLERANCE	UNITS	mm
x.x ±0.30	SHEET SIZE	A4
x.xx ±0.20	Draw:	Daniel 2018-07-10
x.xxx ±0.10	Check:	Daniel 2018-07-10

L-KLS1-204FR-XX-R-□-□

NingBo KLS ELECTRONIC CO.,LTD.