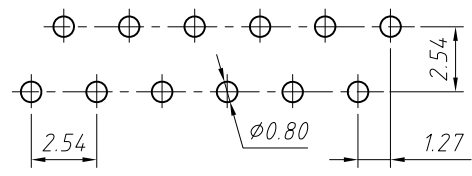
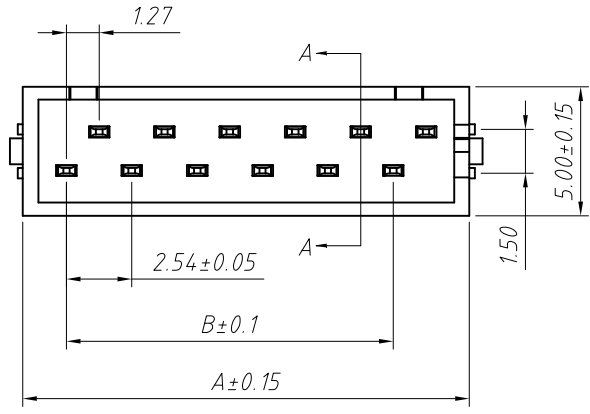


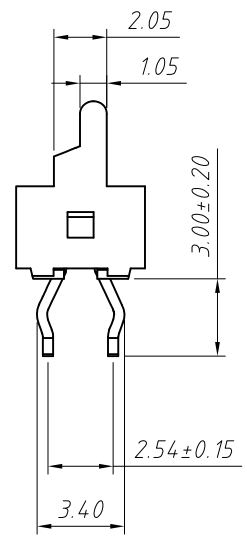
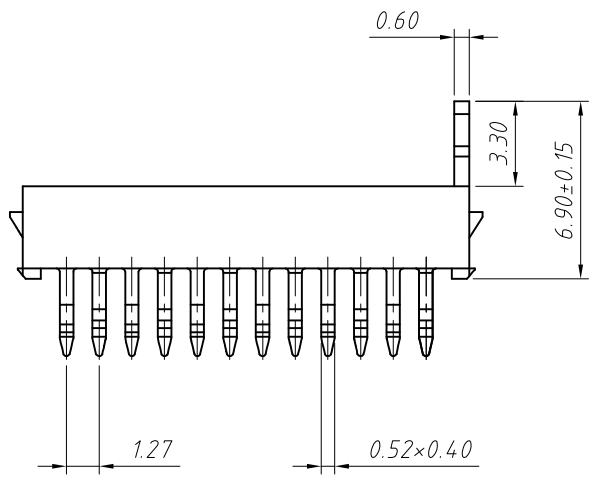
1
RoHS Compliance



Recommended P.C.B Layout (Top Side)
(PCB BOARD TOLERANCE±0.05)

Material:
Housing:PBT / PA46, UL94V-0
Contacts:Brass
Plating:Au over Ni

Electrical Characteristics:
Current Rating: 1.0 AMP
Contact Resistance: 20m Ohm max.
Insulator Resistance: 1000M Ohm min.
Withstand voltage:500V AC
Operating Temperature: -40°C ~ +105°C



Order Information:
L-KLS1-204MA-XX-R-□-□
L: RoHS
Pitch:2.54mm
XX-No. of 04 ~ 26pin
Color:R-Red B-Black
Material:
A=PBT D=PA9T E=PA46
Packing:NONE=Tube R=Reel

Poles	DIM.A	DIM.B	Qty/Tube	Poles	DIM.A	DIM.B	Qty/Tube
04	7.20	2.54	68	16	22.44	17.78	24
06	9.74	5.08	52	18	24.98	20.32	22
08	12.28	7.62	42	20	27.52	22.86	20
10	14.82	10.16	36	22	30.06	25.40	18
12	17.36	12.70	31	24	32.60	27.94	17
14	19.90	15.24	27	26	35.14	30.48	16

ANGLE TOLERANCE	PROJECTION	Description:
±3°		Micro Match Connector
GENERAL TOLERANCE	UNITS	mm
x.x ±0.30	SHEET SIZE	A4
x.xx ±0.20	Draw:	Daniel 2018-07-10
x.xxx ±0.10	Check:	Daniel 2018-07-10

L-KLS1-204MA-XX-R-□-□

NingBo KLS ELECTRONIC CO.,L TD.