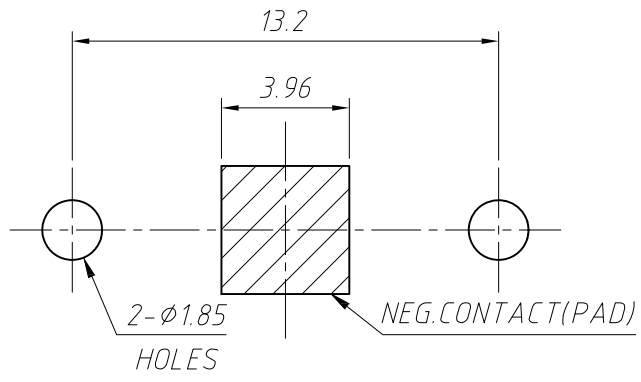
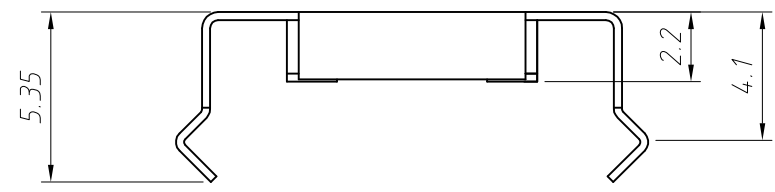
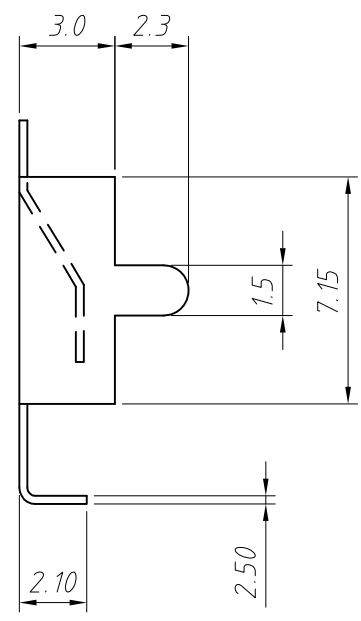
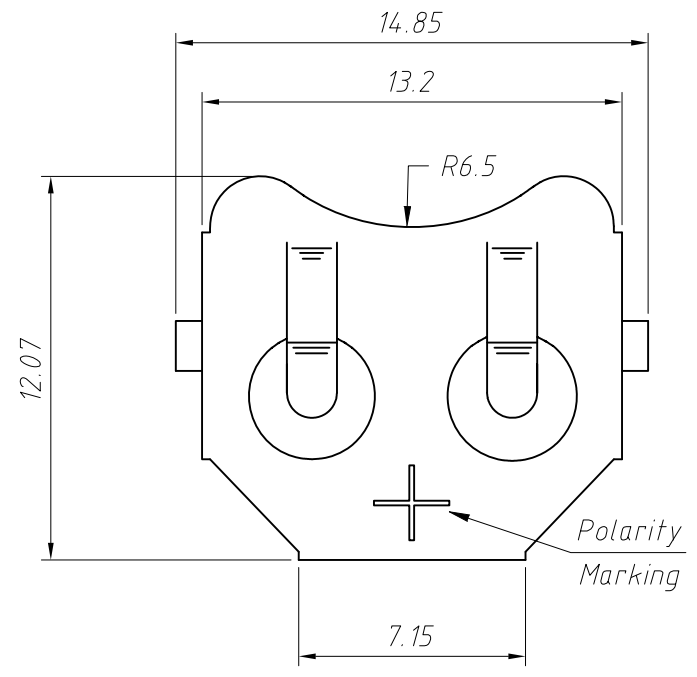


1
RoHS Compliance



- Notes:**
- 1.Material:
 - a. 0.25mm Thick Phosphor Bronze Nickel Plated
 - 2.Electric:
 - a.Current Rating:3A AC/DC
 - b.Dielectric Voltage:500V AC One Sec Level
 - c.Contact Resistance:30mΩ max.
 - d.Insulator Resistance:100MΩ min.
 - e.Operating Temperature:-40°C~+105°C
 - f.Humidity:40°C and 90-95% RH For 48 Hours
 - 3.RoHS Compliant

ANGLE TOLERANCE	PROJECTION	Description:	
±3°		Battery Clip	
GENERAL TOLERANCE	UNITS	mm	KLS P/N:
x.x ±0.30	SHEET SIZE	A4	L-KLS5-CR1220D-011
x.xx ±0.20	Draw:	Daniel	2018-07-10
x.xxx ±0.10	Check:	Daniel	2018-07-10

