

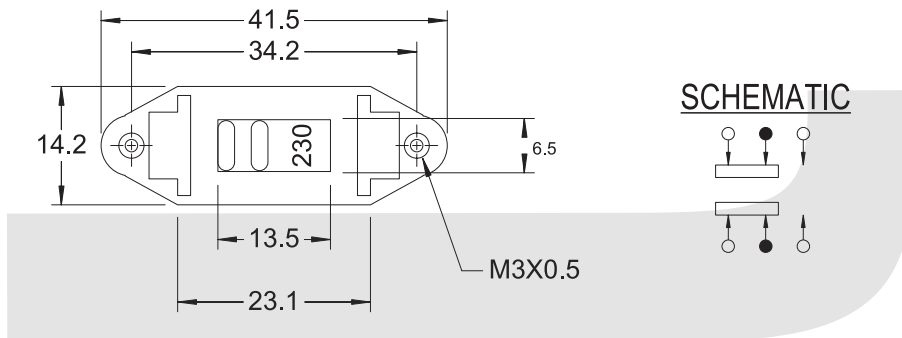
Switch

Slide Switch Series

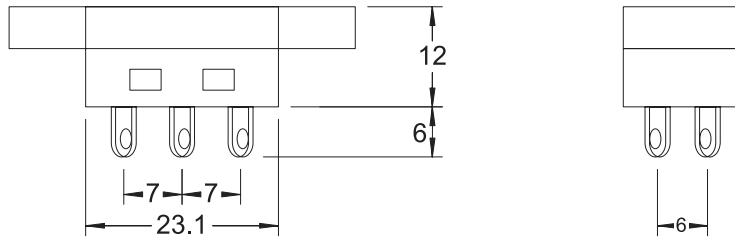
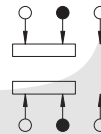
KLS7-SS39-22N03 (2P2T) Slide Switch Series

SPECIFICATIONS

- Rating: 6A 250VAC;12A 125VAC
- Contact Resistance: 30mΩ Max
- Insulation Resistance:500VDC 100MΩ Min
- Dielectric Strength:500V AC 1 Minute
- Operating Force:400gf~800gf
- Electrical Life :10,000 cycles



SCHEMATIC



ORDER INFORMATION

KLS7-SS39 - 2 2 N 03 - X X - X

- Part Number
- Slide Switch Type
- Pole
- Throw
- Operating Force
- Knobe Height
- Sequential No.

Travelling					
C	D	E	F	G	H
1.5	2.0	2.5	3.0	3.5	4.0
I	J	K	L	N	P
4.5	5.0	5.5	6.0	7.0	8.0

