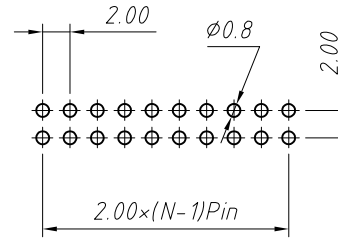
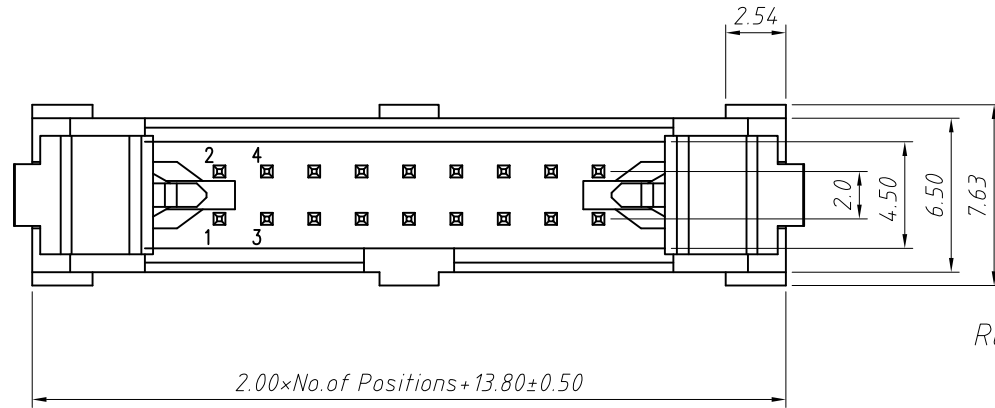


1 RoHS Compliance

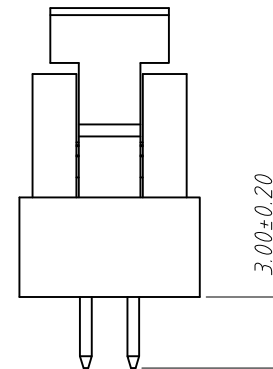
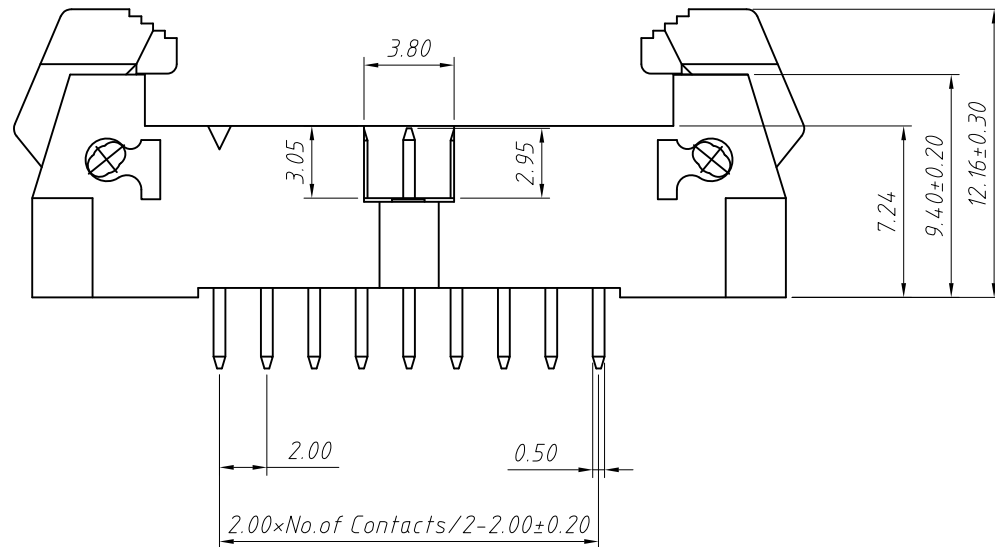


Recommended P.C.B Layout (Top Side)  
(PCB BOARD TOLERANCE ± 0.05)

**Material:**  
Housing: LCP+30%G.F UL 94V-0, Color: Black  
Contact: Brass, 1u" MIN Gold Plating Over All  
30u" MIN Nickel Underplating Over All

**Electrical Characteristics:**  
Rated Current: 2.0AMP  
Contact Resistance: 20mΩ Max  
Withstand Voltage: 500V AC/DC  
Insulator Resistance: 1000MΩ Min

**Mechanical**  
Operating Temperature: -40°C ~ +105°C  
Max. Processing Temp: 230°C for 30-60 seconds (260°C for 10 seconds)



**Order Information:**

L-KLS1-201BB-XX-S-B-C

L: RoHS

Box Header Series

201BB: 2.00mm Pitch

XX-No. of 06 ~ 64 pin

Type: S-Straight pin

R-Right Angle Pin T-SMT

Color: B-Black G-Gray

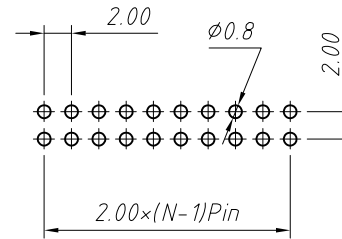
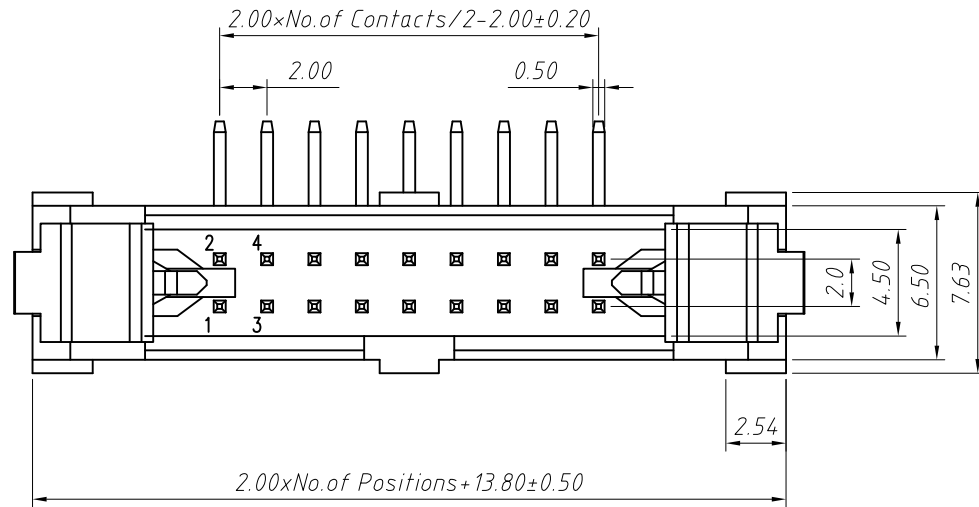
Material:

B=PA6T C=LCP D=PA9T

ANGLE TOLERANCE	PROJECTION	Description:		
±3°		2.00mm Pitch Box Header Connector		
GENERAL TOLERANCE	UNITS	mm	KLS P/N:	L-KLS1-201BB-XX-S-B-C
x.x ±0.30	SHEET SIZE	A4		
x.xx ±0.20	Draw:	Daniel	2018-07-10	
x.xxx ±0.10	Check:	Daniel	2018-07-10	

NingBo KLS ELECTRONIC CO.,L TD.

1 RoHS Compliance

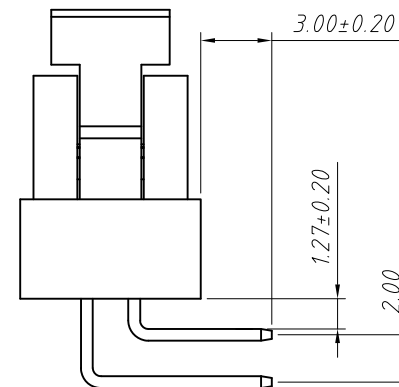
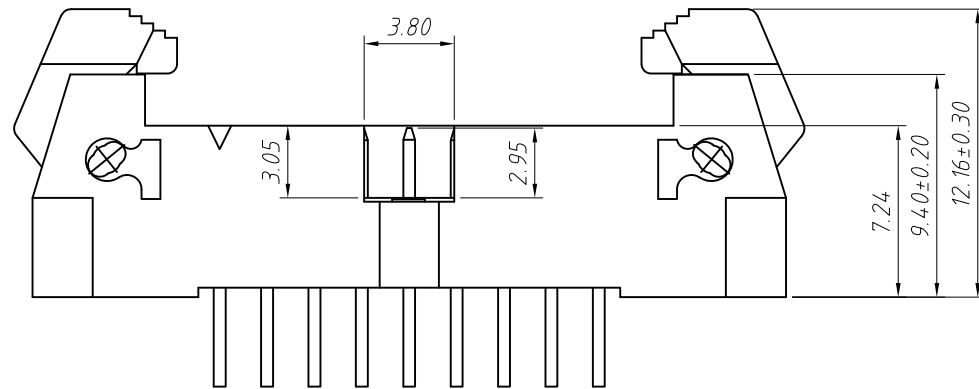


Recommended P.C.B Layout (Top Side)  
(PCB BOARD TOLERANCE ±0.05)

**Material:**  
Housing: LCP+30%G.F UL94V-0, Color: Black  
Contact: Brass, 1u" MIN Gold Plating Over All  
30u" MIN Nickel Underplating Over All

**Electrical Characteristics:**  
Rated Current: 2.0AMP  
Contact Resistance: 20mΩ Max  
Withstand Voltage: 500V AC/DC  
Insulator Resistance: 1000MΩ Min

**Mechanical**  
Operating Temperature: -40°C ~ +105°C  
Max. Processing Temp: 230°C for 30-60 seconds (260°C for 10 seconds)



**Order Information:**  
L-KLS1-201BB-XX-R-B-C

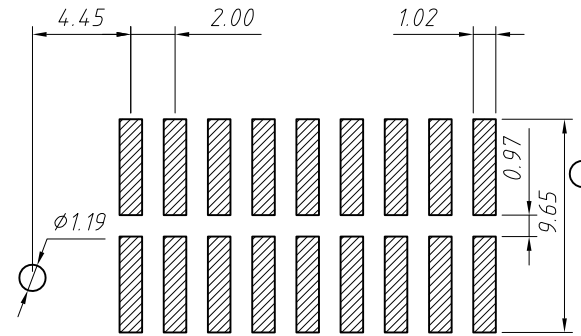
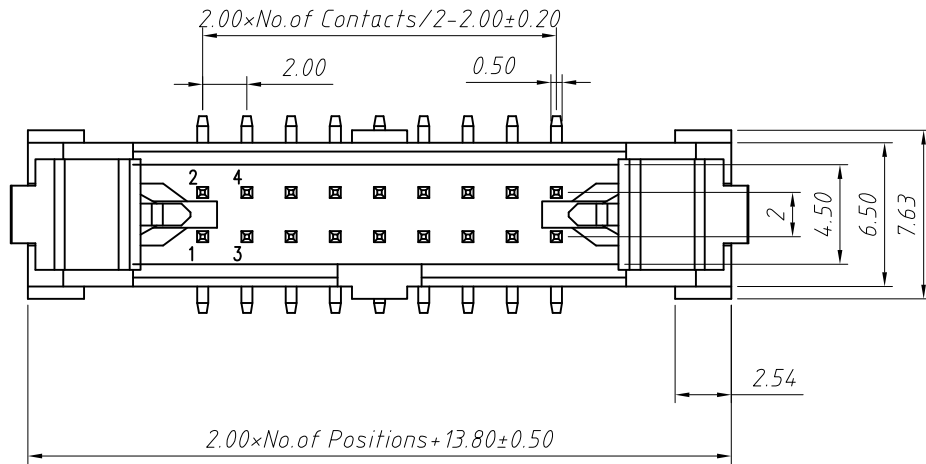
L: RoHS  
Box Header Series  
201BB: 2.00mm Pitch  
XX-No. of 06 ~ 64 pin  
Type: S-Straight pin  
R-Right Angle Pin T-SMT  
Color: B-Black G-Gray  
Material: B-PA6T C=LCP D=PA9T

ANGLE TOLERANCE	PROJECTION		Description:
±3°			2.00mm Pitch Box Header Connector
GENERAL TOLERANCE	UNITS	mm	KLS P/N:
x.x ±0.30	SHEET SIZE	A4	L-KLS1-201BB-XX-R-B-C
x.xx ±0.20	Draw:	Daniel	2018-07-10
x.xxx ±0.10	Check:	Daniel	2018-07-10



NingBo KLS ELECTRONIC CO.,LTD.

1 RoHS Compliance



Recommended P.C.B Layout (Top Side)  
(PCB BOARD TOLERANCE±0.05)

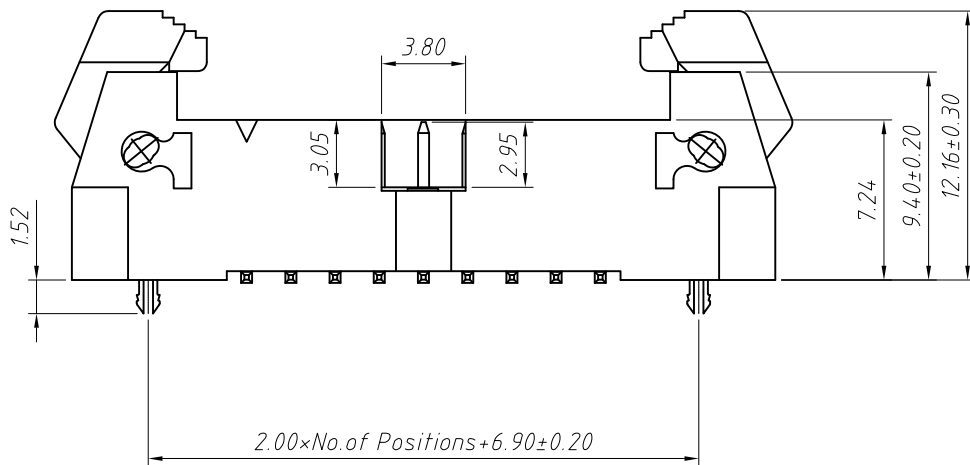
**Material:**  
Housing:LCP+30%G.F UL94V-0,Color:Black  
Contact:Brass,1u" MIN Gold Plating Over All  
30u" MIN Nickel Underplating Over All

**Electrical Characteristics:**  
Rated Current: 2.0AMP  
Contact Resistance: 20mΩ Max  
Withstand Voltage: 500V AC/DC  
Insulator Resistance: 1000MΩ Min

**Mechanical**  
Operating Temperature: -40°C ~ +105°C  
Max.Processing Temp:230°C for 30-60 seconds (260°C for 10 seconds)

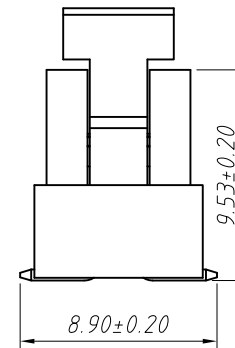
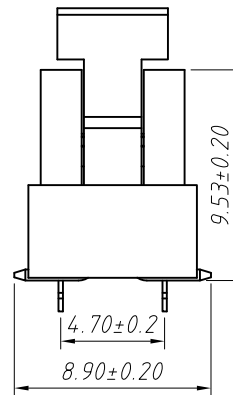
**Order Information:**  
L-KLS1-201BB-XX-T-B-C-T

L: RoHS  
Box Header Series  
201BB:2.00mm Pitch  
XX-No.of 06 ~ 64 pin  
SMT:T=Without Post  
T3=With Post  
Color:B-Black G-Gray  
Material:  
B=PA6T C=LCP D=PA9TPacking:  
T=Tube P=Tube+Cap R=Reel+Cap



T3=With Post

T=Without Post



ANGLE TOLERANCE	PROJECTION	Description:	
±3°		2.00mm Pitch Box Header Connector	
GENERAL TOLERANCE	UNITS	mm	KLS P/N:
x.x ±0.30	SHEET SIZE	A4	L-KLS1-201BB-XX-T-B-C-T
x.xx ±0.20	Draw:	Daniel	2018-07-10
x.xxx ±0.10	Check:	Daniel	2018-07-10



NingBo KLS ELECTRONIC CO.,LTD.