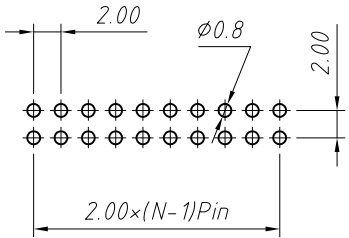
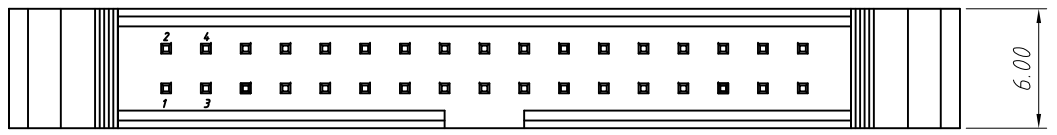


1
RoHS Compliance

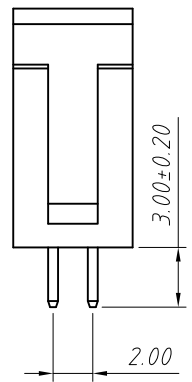
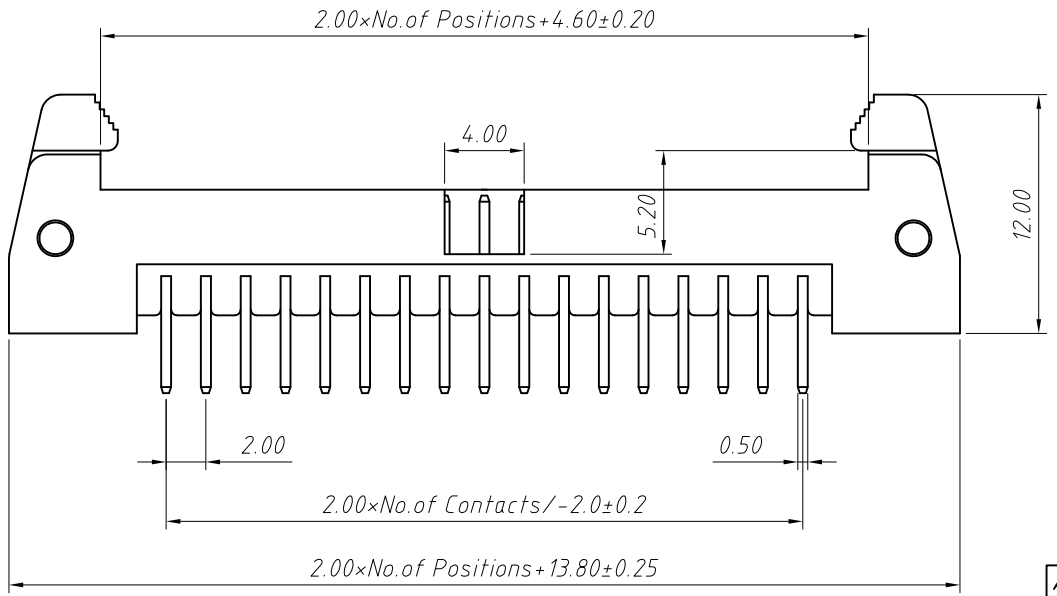


Material:
 Housing: PA9T/LCP+30%G.F UL94V-0
 Color: Black
 Contact: Brass, 1u" MIN Gold Plating Over All
 30u" MIN Nickel Underplating Over All

Electrical Characteristics:
 Rated Current: 2.0AMP
 Contact Resistance: 20mΩ Max
 Withstand Voltage: 500V AC/DC
 Insulator Resistance: 1000MΩ Min

Recommended P.C.B Layout (Top Side)
 (PCB BOARD TOLERANCE ±0.05)

Mechanical
 Operating Temperature: -40°C ~ +105°C
 Max. Processing Temp: 230°C for 30-60 seconds (260°C for 10 seconds)

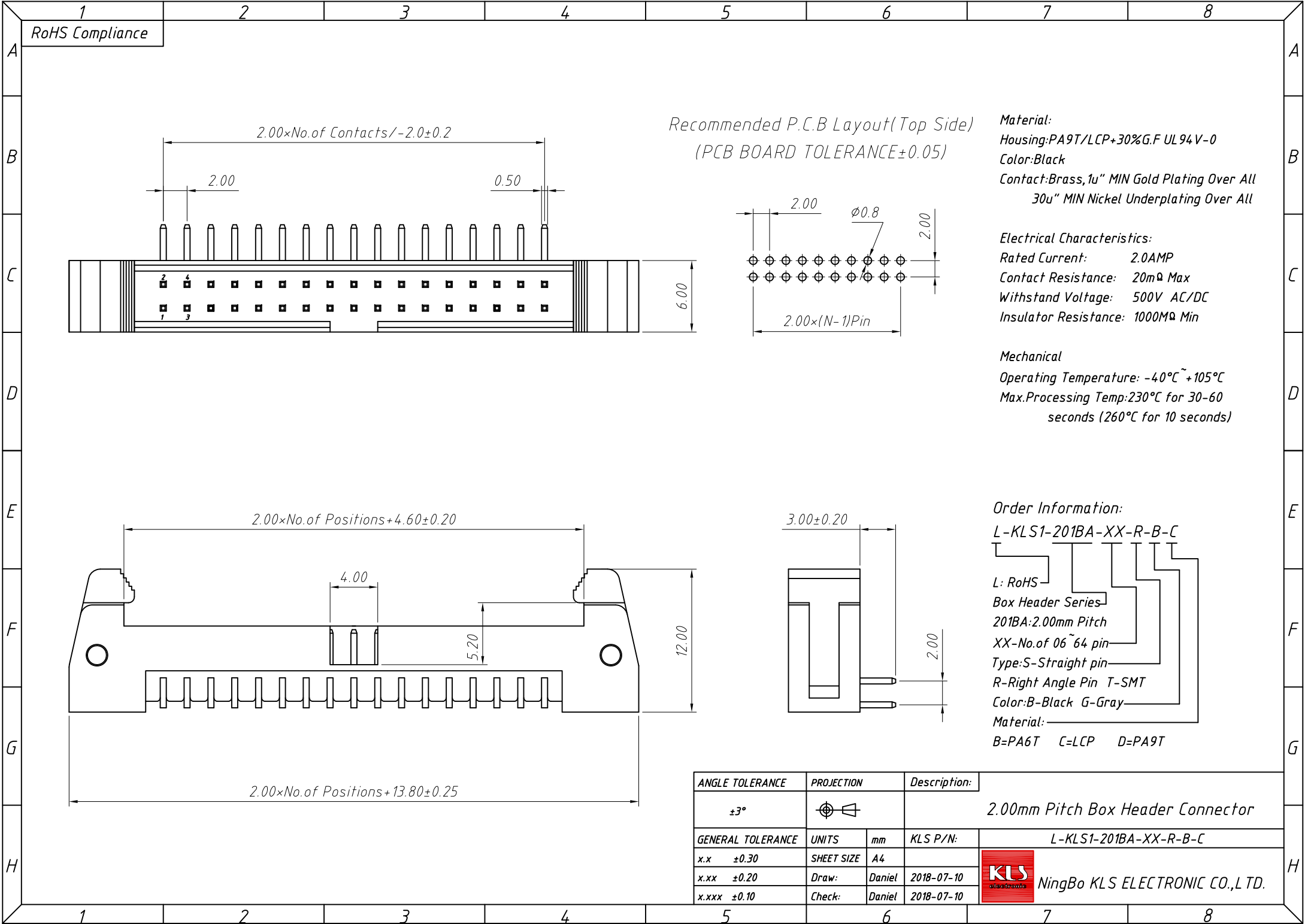


Order Information:
 L-KLS1-201BA-XX-S-B-C
 L: RoHS
 Box Header Series
 201BA: 2.00mm Pitch
 XX-No. of 06 ~ 64 pin
 Type: S-Straight pin
 R-Right Angle Pin T-SMT
 Color: B-Black G-Gray
 Material:
 B=PA6T C=LCP D=PA9T

ANGLE TOLERANCE	PROJECTION	Description:	
±3°		2.00mm Pitch Box Header Connector	
GENERAL TOLERANCE	UNITS	mm	KLS P/N:
x.x ±0.30	SHEET SIZE	A4	L-KLS1-201BA-XX-S-B-C
x.xx ±0.20	Draw:	Daniel	2018-07-10
x.xxx ±0.10	Check:	Daniel	2018-07-10



1
RoHS Compliance



Material:
Housing: PA9T/LCP+30%G.F UL 94V-0
Color: Black
Contact: Brass, 1u" MIN Gold Plating Over All
30u" MIN Nickel Underplating Over All

Electrical Characteristics:
Rated Current: 2.0AMP
Contact Resistance: 20mΩ Max
Withstand Voltage: 500V AC/DC
Insulator Resistance: 1000MΩ Min

Mechanical
Operating Temperature: -40°C ~ +105°C
Max. Processing Temp: 230°C for 30-60 seconds (260°C for 10 seconds)

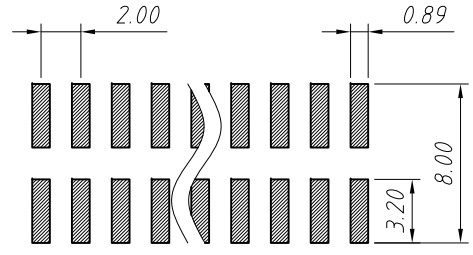
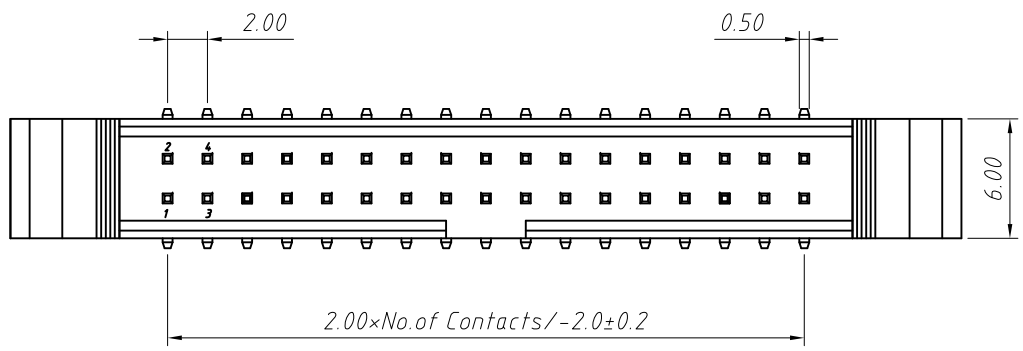
Order Information:
L-KLS1-201BA-XX-R-B-C

L: RoHS
Box Header Series
201BA: 2.00mm Pitch
XX-No. of 06 ~ 64 pin
Type: S-Straight pin
R-Right Angle Pin T-SMT
Color: B-Black G-Gray
Material:
B=PA6T C=LCP D=PA9T

ANGLE TOLERANCE	PROJECTION	Description:	2.00mm Pitch Box Header Connector	
±3°				
GENERAL TOLERANCE	UNITS	mm	KLS P/N:	L-KLS1-201BA-XX-R-B-C
x.x ±0.30	SHEET SIZE	A4		
x.xx ±0.20	Draw:	Daniel	2018-07-10	
x.xxx ±0.10	Check:	Daniel	2018-07-10	

NingBo KLS ELECTRONIC CO.,L TD.

1
RoHS Compliance

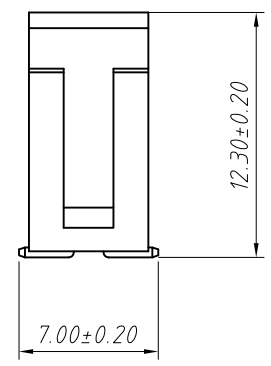
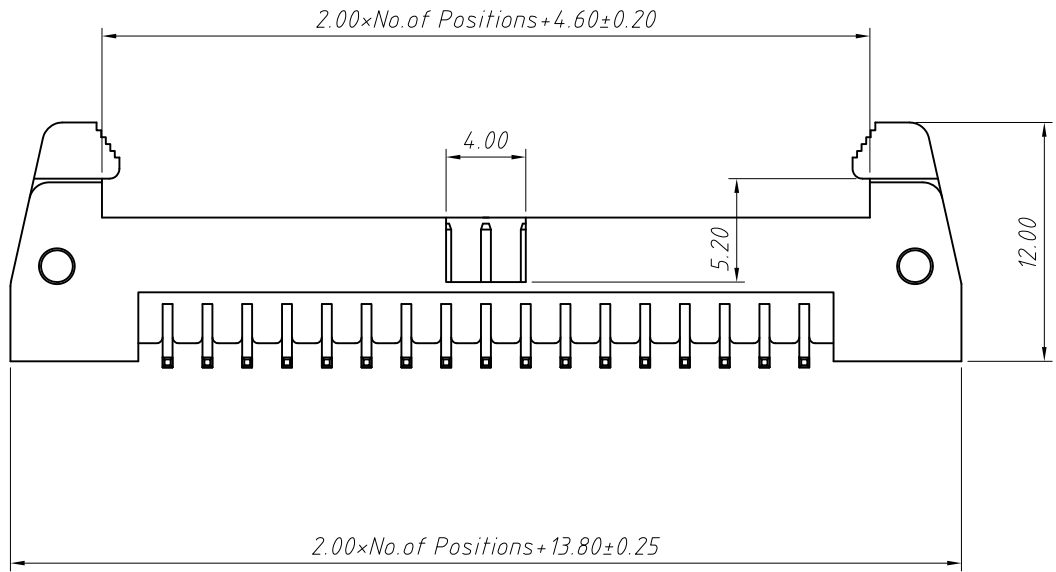


Recommended P.C.B Layout (Top Side)
(PCB BOARD TOLERANCE ±0.05)

Material:
Housing: PA9T/LCP+30%G.F UL94V-0
Color: Black
Contact: Brass, 1u" MIN Gold Plating Over All
30u" MIN Nickel Underplating Over All

Electrical Characteristics:
Rated Current: 2.0AMP
Contact Resistance: 20mΩ Max
Withstand Voltage: 500V AC/DC
Insulator Resistance: 1000MΩ Min

Mechanical
Operating Temperature: -40°C ~ +105°C
Max. Processing Temp: 230°C for 30-60 seconds (260°C for 10 seconds)



Order Information:
L-KLS1-201BA-XX-T-B-C-T
L: RoHS
Box Header Series
201BA: 2.00mm Pitch
XX-No. of 06 ~ 64 pin
Type: S-Straight Pin
R-Right Angle Pin T-SMT Pin
Color: B-Black G-Gray
Material:
B=PA6T C=LCP D=PA9T Packing:
T=Tube P=Tube+Cap R=Reel+Cap

ANGLE TOLERANCE	PROJECTION	Description:	2.00mm Pitch Box Header Connector	
±3°				
GENERAL TOLERANCE	UNITS	mm	KLS P/N:	L-KLS1-201BA-XX-T-B-C-T
x.x ±0.30	SHEET SIZE	A4		
x.xx ±0.20	Draw:	Daniel	2018-07-10	
x.xxx ±0.10	Check:	Daniel	2018-07-10	

NingBo KLS ELECTRONIC CO.,L TD.