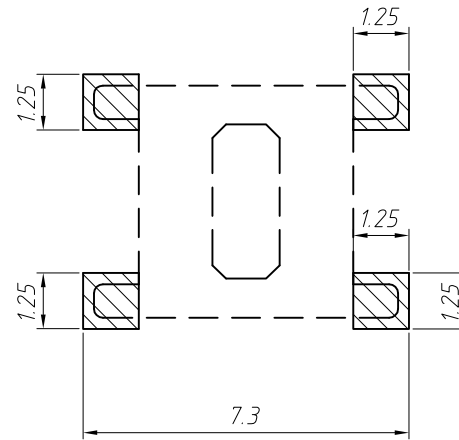
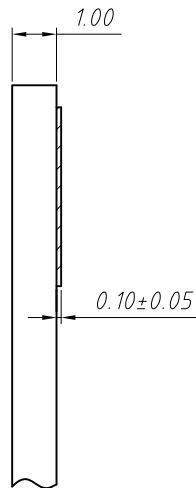
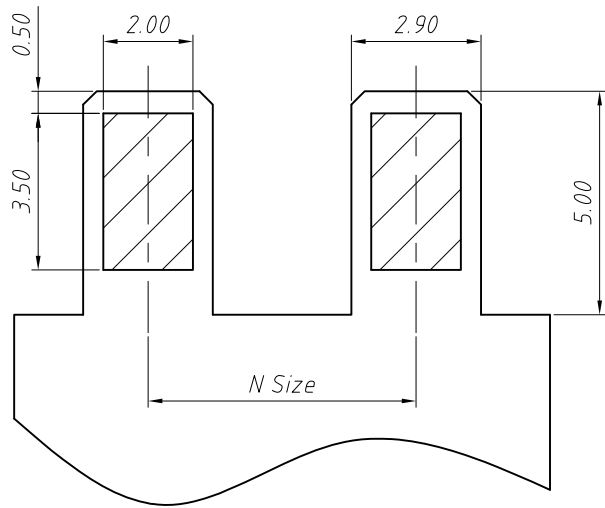
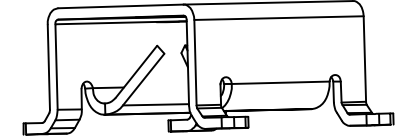
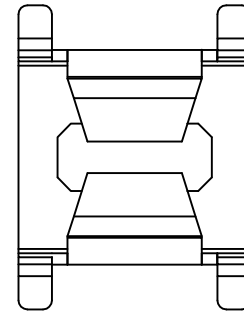
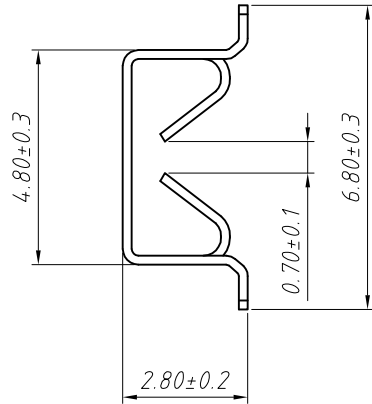
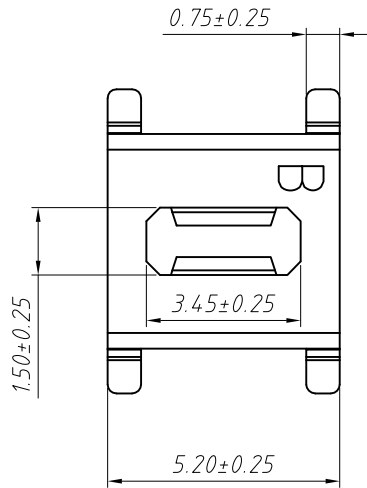


1
RoHS Compliant



Board Layout

Material:

Contacts: Phosphor Bronze,
Matte Sn-plated

Main Specifications

Thickness: 1.0mm

Contact Resistance: $\leq 20m\Omega$

Insulation Resistance: $\geq 1000M\Omega$

Rated Voltage: 250V AC DC

Rated Current: 1.0A AC DC

Withstanding Voltage: 1000V AC/minute

Temperature Range: $-45^{\circ}C \sim +125^{\circ}C$

Mating Aluminum plate detail

GENERAL TOLERANCE		ANGLE TOLERANCE		PROJECTION		Description:	
.X	± 0.15	.X	$\pm 5^{\circ}$	UNITS		mm	EDGE Connector for LED Lighting
.X	± 0.03	.X	$\pm 3^{\circ}$	SHEET SIZE		A4	
.XX	± 0.05	.XX	$\pm 2^{\circ}$			KLS P/N:	
Draw by:	Jenny	Date:	2018-03-10			NingBo KLS ELECTRONIC CO.,LTD.	
Check by:		Date:	2018-03-10				
SCALE		SHEET	1	OF	1		

L-KLS2-L85