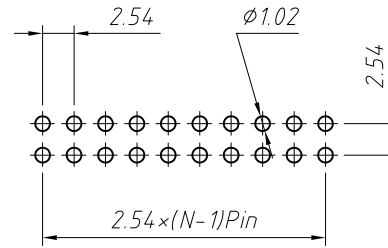
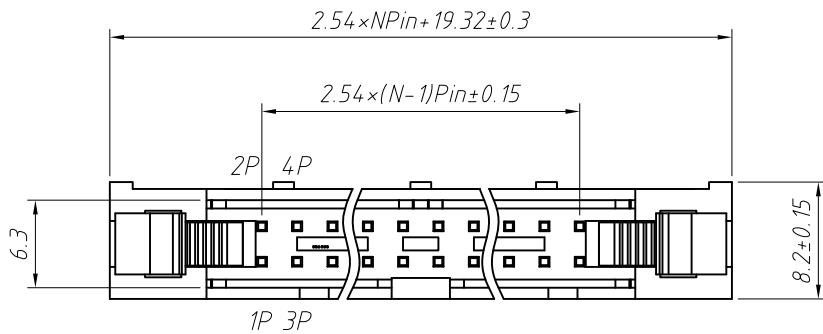


RoHS Compliance

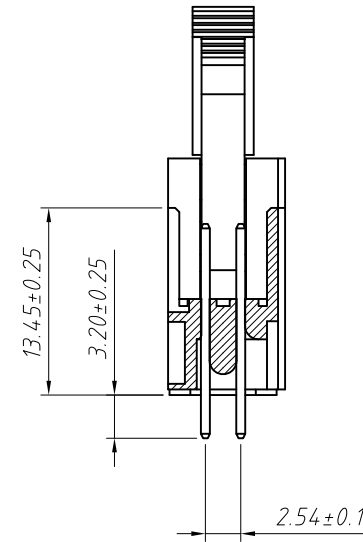
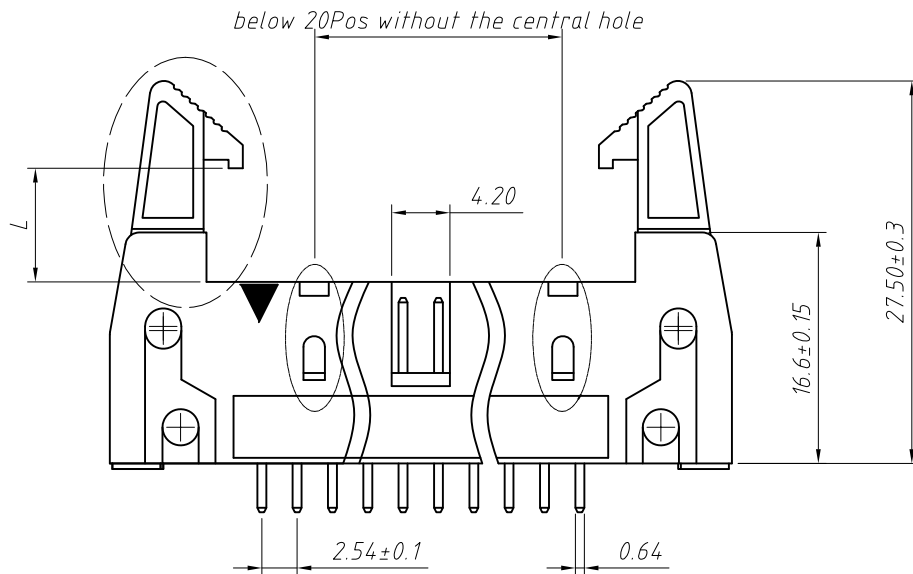


Recommended P.C.B Layout (Top Side)
(PCB BOARD TOLERANCE ± 0.05)

Material:
Housing: PBT, UL 94 V-0
Contact: Brass
Plating: Gold plated 0.8u"

Electrical Characteristics:
Rated Current: 3.0AMP
Contact Resistance: 20m Ω Max
Withstand Voltage: 1000V AC/DC
Insulator Resistance: 1000M Ω Min

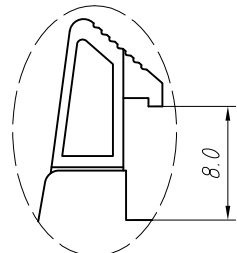
Mechanical
Operating Temperature: $-40^{\circ}\text{C} \sim +105^{\circ}\text{C}$
Max. Processing Temp: 180°C for 30-60 seconds (200°C for 10 seconds)



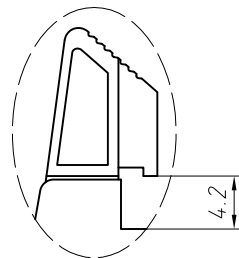
Order Information:

L-KLS1-201-XX-S-B-□-□

L: RoHS
Box Header Series
201: 2.54mm Pitch
XX-No. of 06~64 pin
Type: S-Straight pin
R-Right Angle Pin T-SMT
Color: B-Black G-Gray
Latch Type: NONE=Long Latch
S=Short Latch
Material: NONE=PBT B=PA6T



NONE=Long Latch



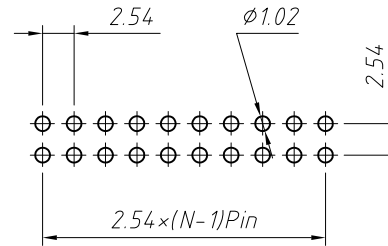
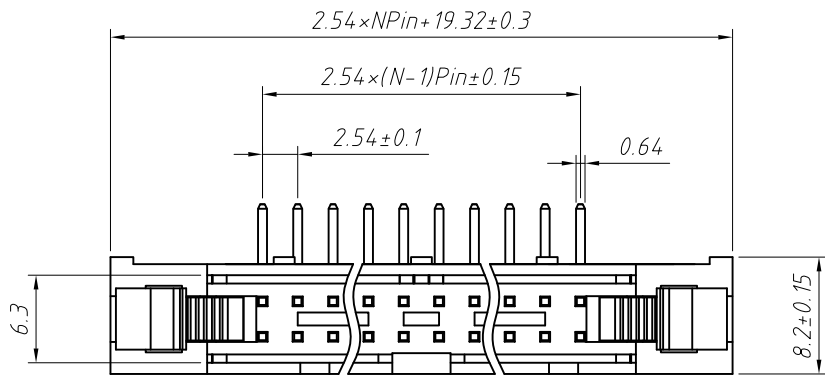
S=Short Latch

ANGLE TOLERANCE	PROJECTION	Description:
$\pm 3^{\circ}$		2.54mm Pitch Box Header Connector With Latch
GENERAL TOLERANCE	UNITS	mm
x.x ± 0.30	SHEET SIZE	A4
x.xx ± 0.20	Draw:	Daniel 2018-07-10
x.xxx ± 0.10	Check:	Daniel 2018-07-10



NingBo KLS ELECTRONIC CO.,LTD.

RoHS Compliance

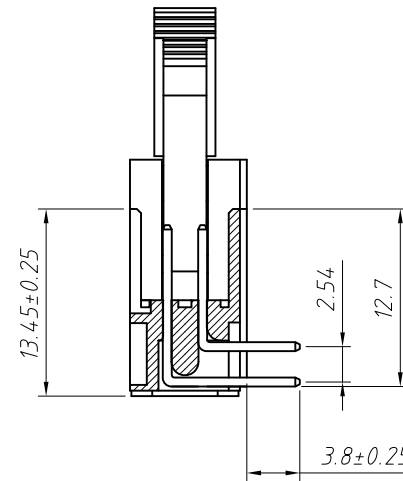
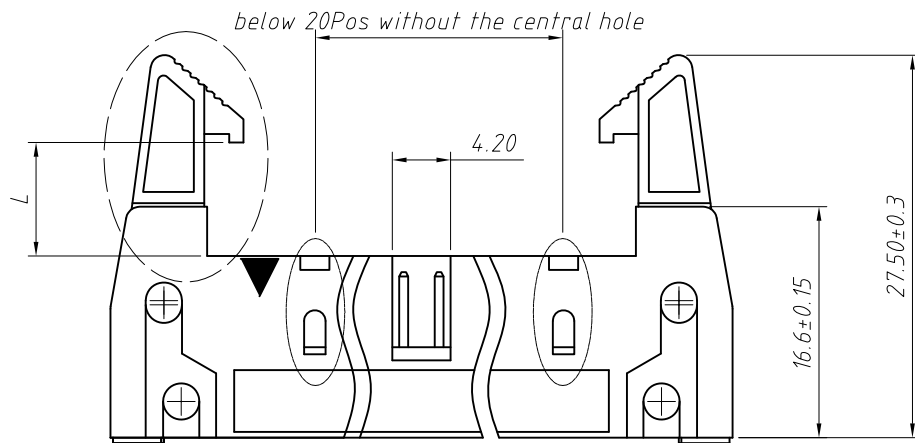


Recommended P.C.B Layout (Top Side)
(PCB BOARD TOLERANCE ±0.05)

Material:
Housing: PBT, UL 94V-0
Contact: Brass
Plating: Gold plated 0.8u"

Electrical Characteristics:
Rated Current: 3.0AMP
Contact Resistance: 20mΩ Max
Withstand Voltage: 1000V AC/DC
Insulator Resistance: 1000MΩ Min

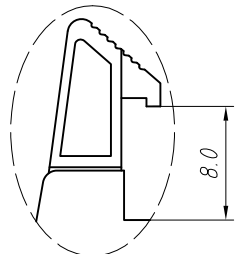
Mechanical
Operating Temperature: -40°C ~ +105°C
Max. Processing Temp: 180°C for 30-60 seconds (200°C for 10 seconds)



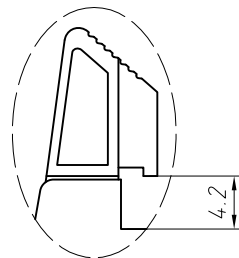
Order Information:

L-KLS1-201-XX-R-B-□-□

L: RoHS
Box Header Series
201: 2.54mm Pitch
XX-No. of 06 ~ 64 pin
Type: S-Straight pin
R-Right Angle Pin T-SMT
Color: B-Black G-Gray
Latch Type: NONE=Long Latch
S=Short Latch
Material: NONE=PBT B=PA6T



NONE=Long Latch



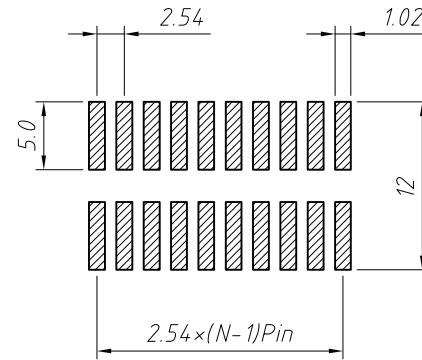
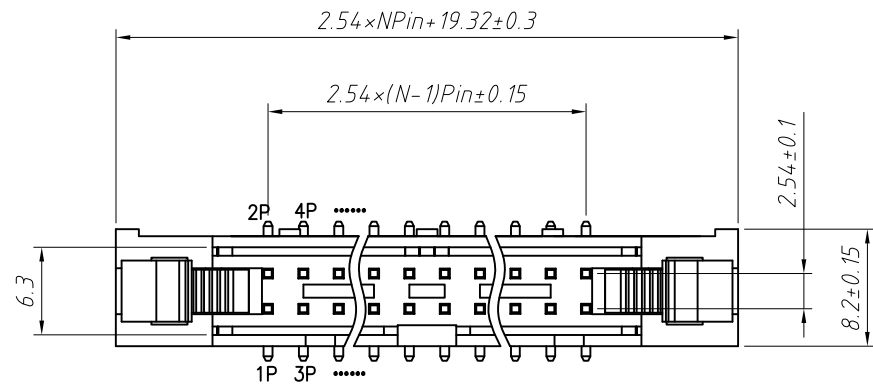
S=Short Latch

ANGLE TOLERANCE	PROJECTION	Description:
±3°		2.54mm Pitch Box Header Connector With Latch
GENERAL TOLERANCE	UNITS	mm
x.x ±0.30	SHEET SIZE	A4
x.xx ±0.20	Draw:	Daniel 2018-07-10
x.xxx ±0.10	Check:	Daniel 2018-07-10



NingBo KLS ELECTRONIC CO.,LTD.

RoHS Compliance

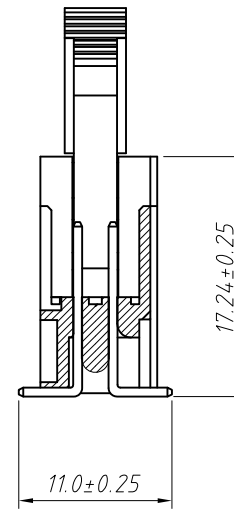
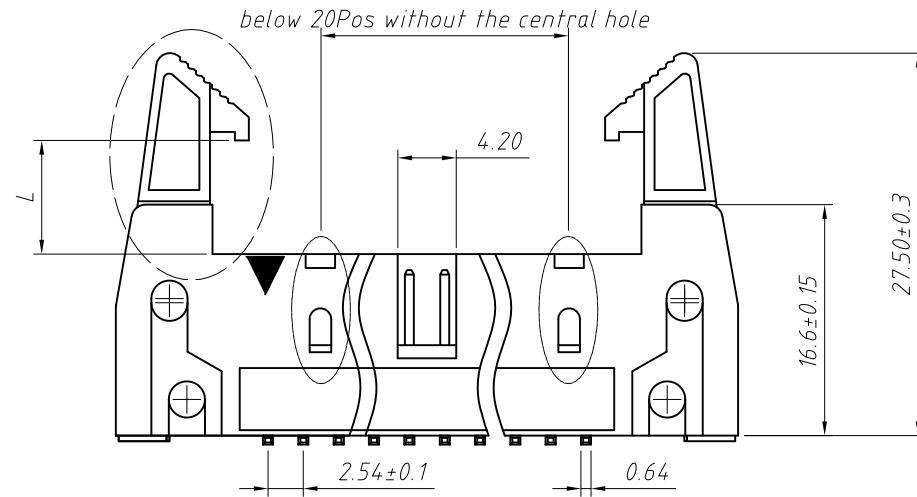


Material:
Housing: PA6T, UL94V-0
Contact: Brass
Plating: Gold plated 0.8u"

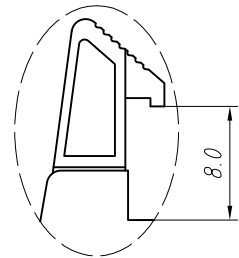
Electrical Characteristics:
Rated Current: 3.0AMP
Contact Resistance: 20mΩ Max
Withstand Voltage: 1000V AC/DC
Insulator Resistance: 1000MΩ Min

Mechanical
Operating Temperature: $-40^{\circ}C \sim +105^{\circ}C$
Max. Processing Temp: $230^{\circ}C$ for 30-60 seconds ($260^{\circ}C$ for 10 seconds)

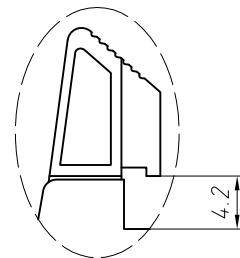
Recommended P.C.B Layout (Top Side)
(PCB BOARD TOLERANCE ± 0.05)



Order Information:
L-KLS1-201-XX-T-B-□-B-T
L: RoHS
Box Header Series
201: 2.54mm Pitch
XX-No. of 06~64 pin
Type: S-Straight pin
R-Right Angle Pin T-SMT
Color: B-Black G-Gray
Latch Type: NONE=Long Latch
S=Short Latch
Material: B=PA6T
Packing:
T=Tube P=Tube+Cap R=Reel+Cap



NONE=Long Latch



S=Short Latch

ANGLE TOLERANCE	PROJECTION	Description:	2.54mm Pitch Box Header Connector With Latch	
$\pm 3^{\circ}$				
GENERAL TOLERANCE	UNITS	mm	KLS P/N:	L-KLS1-201-XX-T-B-□-B-T
x.x ± 0.30	SHEET SIZE	A4		
x.xx ± 0.20	Draw:	Daniel	2018-07-10	NingBo KLS ELECTRONIC CO.,L TD.
x.xxx ± 0.10	Check:	Daniel	2018-07-10	