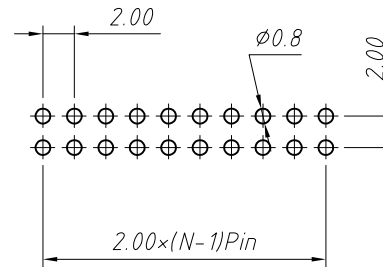
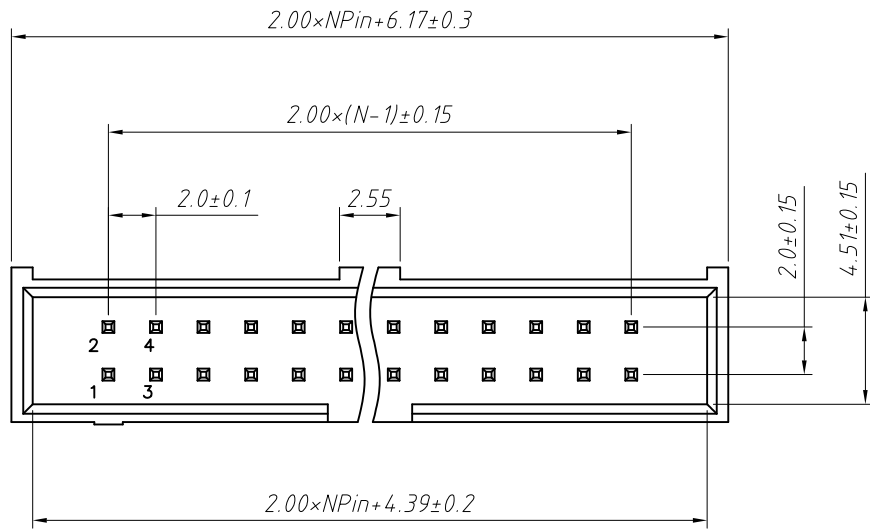


1 RoHS Compliance

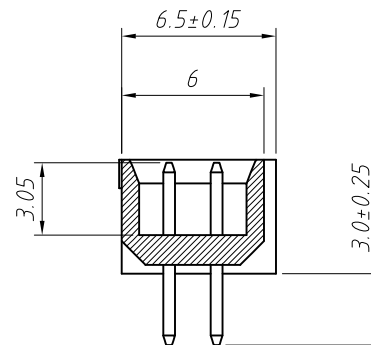
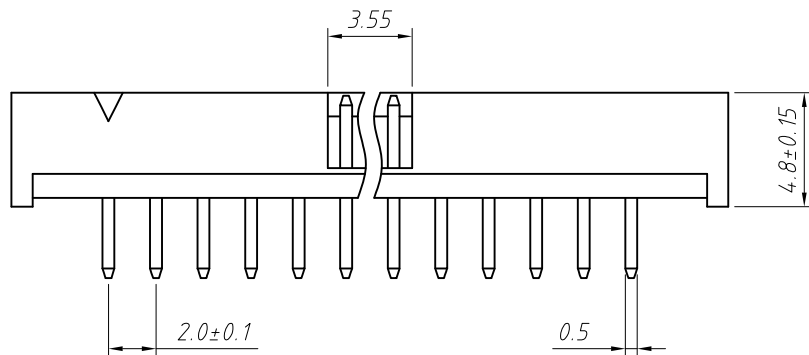


Material:  
Housing:LCP,UL94V-0  
Contact:Brass  
Plating:Au or Sn Over Ni

Electrical Characteristics:  
Rated Current: 2.0AMP  
Contact Resistance:  $20m\Omega$  Max  
Withstand Voltage: 500V AC/DC  
Insulator Resistance: 1000M $\Omega$  Min

Mechanical  
Operating Temperature:  $-40^{\circ}C \sim +105^{\circ}C$   
Max.Processing Temp:  $230^{\circ}C$  for 30-60 seconds ( $260^{\circ}C$  for 10 seconds)

Recommended P.C.B Layout (Top Side)  
(PCB BOARD TOLERANCE  $\pm 0.05$ )



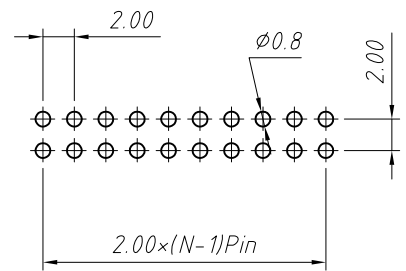
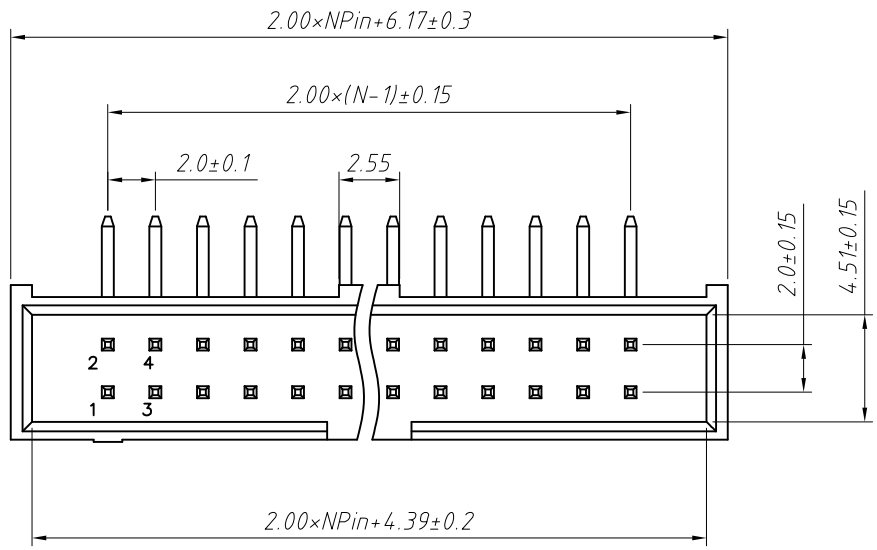
Order Information:

L-KLS1-202J-XX-S-B-C

L: RoHS  
Box Header Series  
202J: 2.00mm Pitch  
XX-No. of 06 ~ 64 pin  
Type: S-Straight pin  
R-Right Angle Pin T-SMT  
Color: B-Black G-Gray  
Material: B=PA6T C=LCP

ANGLE TOLERANCE	PROJECTION	Description:
$\pm 3^{\circ}$		2.00mm Pitch Box Header Connector
GENERAL TOLERANCE	UNITS	mm
x.x $\pm 0.30$	SHEET SIZE	A4
x.xx $\pm 0.20$	Draw:	Daniel 2018-07-10
x.xxx $\pm 0.10$	Check:	Daniel 2018-07-10
		L-KLS1-202J-XX-S-B-C
		NingBo KLS ELECTRONIC CO.,LTD.

1  
RoHS Compliance

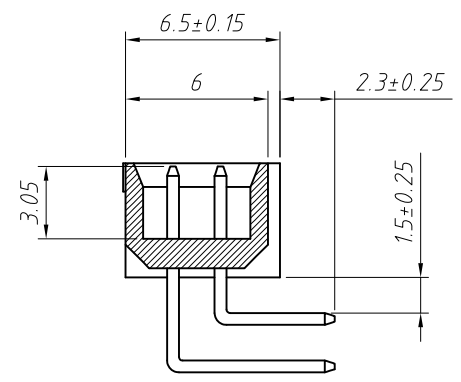
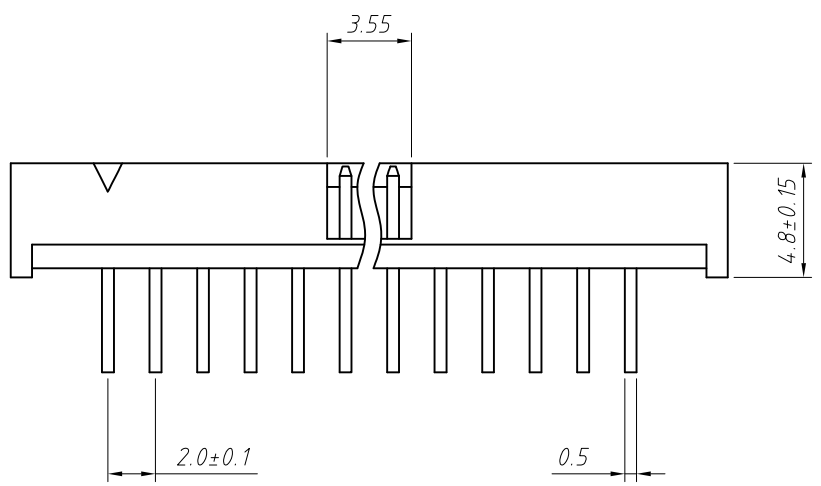


Material:  
Housing:LCP,UL94V-0  
Contact:Brass  
Plating:Au or Sn Over Ni

Electrical Characteristics:  
Rated Current: 2.0AMP  
Contact Resistance: 20mΩ Max  
Withstand Voltage: 500V AC/DC  
Insulator Resistance: 1000MΩ Min

Mechanical  
Operating Temperature: -40°C~+105°C  
Max.Processing Temp:230°C for 30-60 seconds (260°C for 10 seconds)

Recommended P.C.B Layout(Top Side)  
(PCB BOARD TOLERANCE±0.05)

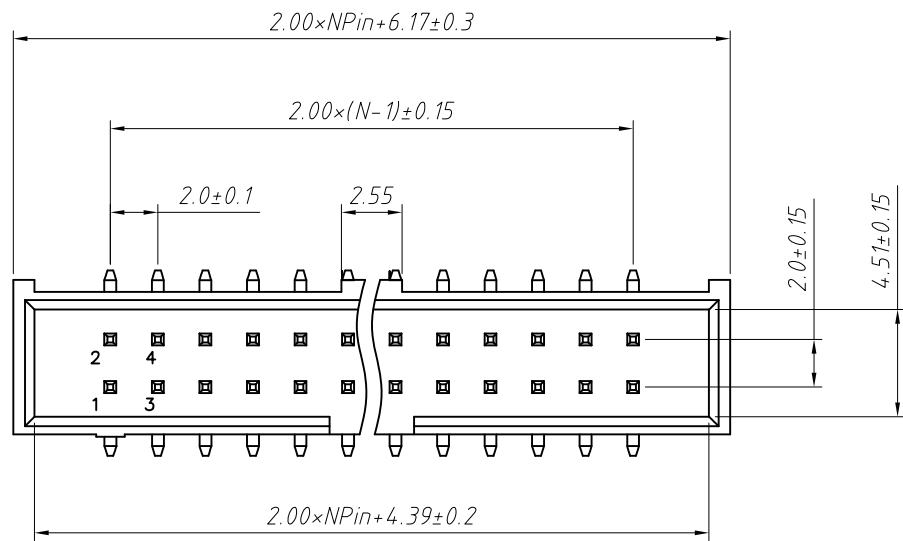


Order Information:  
L-KLS1-202J-XX-R-B-C  
L: RoHS  
Box Header Series-  
202J:2.00mm Pitch  
XX-No.of 06~64 pin  
Type:S-Straight pin  
R-Right Angle Pin T-SMT  
Color:B-Black G-Gray  
Material:B=PA6T C=LCP

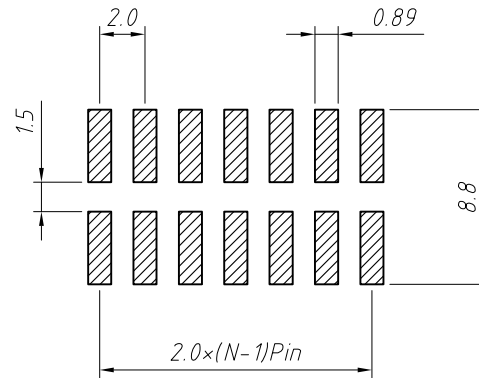
ANGLE TOLERANCE	PROJECTION	Description:		
±3°		2.00mm Pitch Box Header Connector		
GENERAL TOLERANCE	UNITS	mm	KLS P/N:	L-KLS1-202J-XX-R-B-C
x.x ±0.30	SHEET SIZE	A4		
x.xx ±0.20	Draw:	Daniel	2018-07-10	
x.xxx ±0.10	Check:	Daniel	2018-07-10	

NingBo KLS ELECTRONIC CO.,LTD.

1 RoHS Compliance



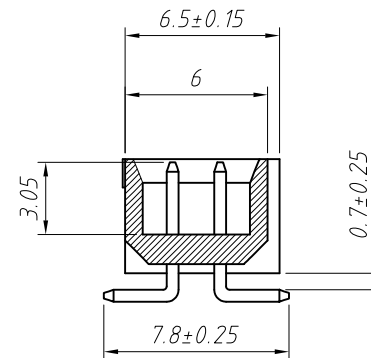
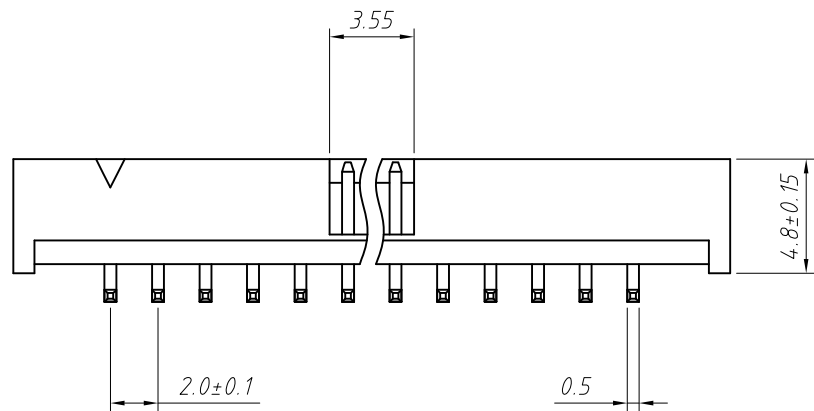
Recommended PCB Layout (Top Side)  
PCB Board Tolerance  $\pm 0.05$



Material:  
Housing: LCP, UL94V-0  
Contact: Brass  
Plating: Au or Sn Over Ni

Electrical Characteristics:  
Rated Current: 2.0AMP  
Contact Resistance:  $20m\Omega$  Max  
Withstand Voltage: 500V AC/DC  
Insulator Resistance:  $1000M\Omega$  Min

Mechanical  
Operating Temperature:  $-40^{\circ}C \sim +105^{\circ}C$   
Max. Processing Temp:  $230^{\circ}C$  for 30-60 seconds ( $260^{\circ}C$  for 10 seconds)



Order Information:  
L-KLS1-202J-XX-T-B-C  
L: RoHS  
Box Header Series  
202J: 2.00mm Pitch  
XX-No. of 06 ~ 64 pin  
Type: S-Straight pin  
R-Right Angle Pin T-SMT  
Color: B-Black G-Gray  
Material: B-PA6T C-LCP

ANGLE TOLERANCE	PROJECTION	Description:
$\pm 3^{\circ}$		2.00mm Pitch Box Header Connector
GENERAL TOLERANCE	UNITS	mm
x.x $\pm 0.30$	SHEET SIZE	A4
x.xx $\pm 0.20$	Draw:	Daniel 2018-07-10
x.xxx $\pm 0.10$	Check:	Daniel 2018-07-10

L-KLS1-202J-XX-T-B-C

NingBo KLS ELECTRONIC CO.,LTD.