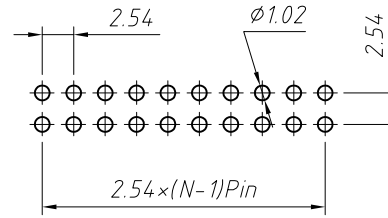
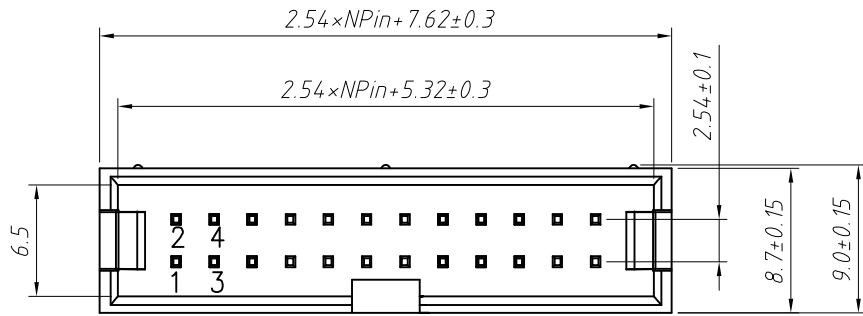


RoHS Compliance

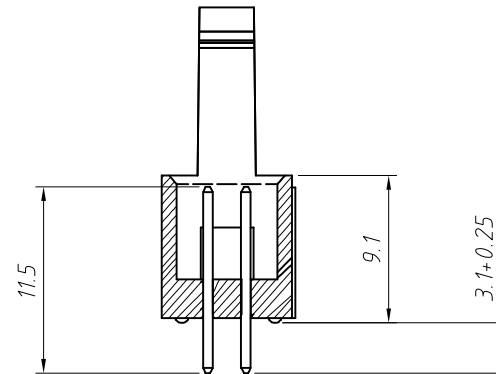
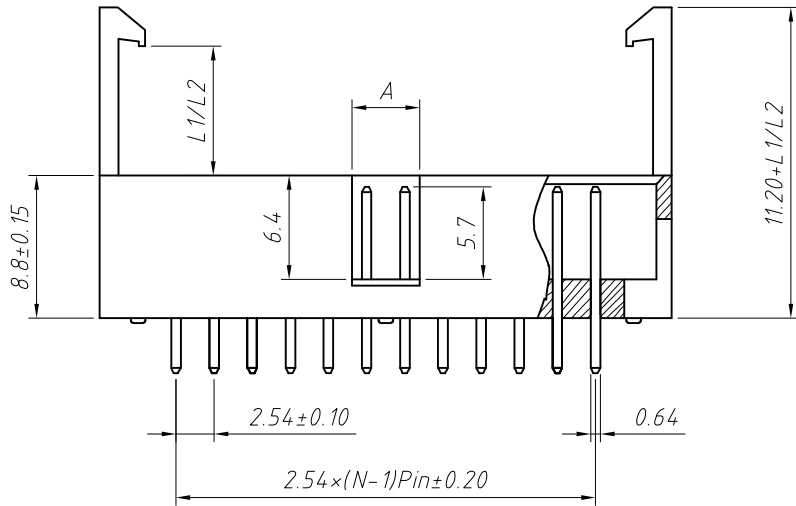


Recommended P.C.B Layout (Top Side)
(PCB BOARD TOLERANCE ±0.05)

Material:
Housing: PA6T, UL 94V-0
Contact: Brass
Plating: Au or Sn Over Ni

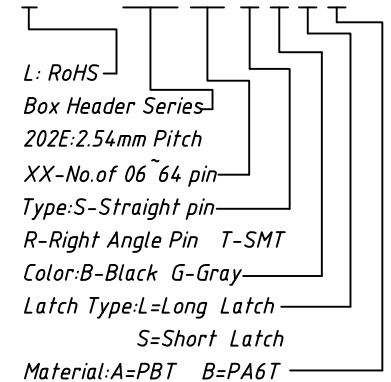
Electrical Characteristics:
Rated Current: 3.0AMP
Contact Resistance: 20mΩ Max
Withstand Voltage: 1000V AC/DC
Insulator Resistance: 1000MΩ Min

Mechanical
Operating Temperature: -40°C ~ +105°C
Max. Processing Temp: 230°C for 30-60 seconds (260°C for 10 seconds)

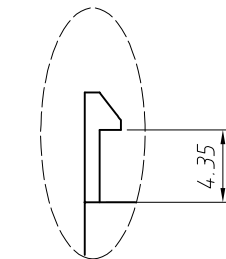
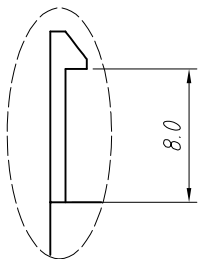


Order Information:

L-KLS1-202E-XX-S-B-L-B



A	
6P-8P	10P-64P
4.00	4.40



L=Long Latch

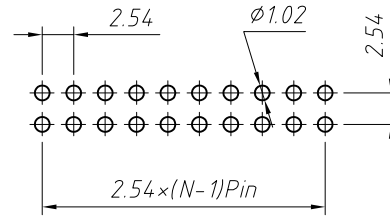
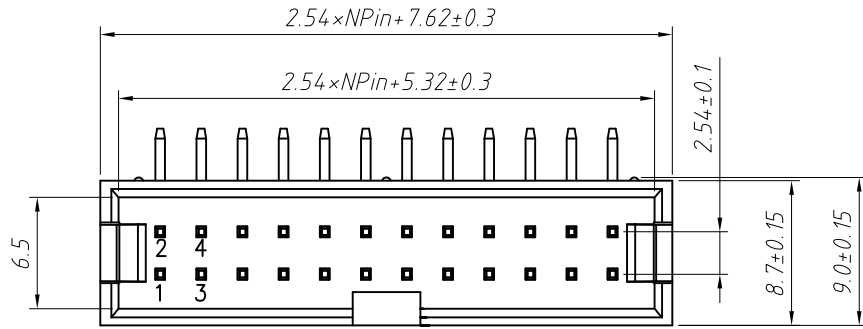
S=Short Latch

ANGLE TOLERANCE	PROJECTION	Description:
±3°		2.54mm Pitch Box Header Connector
GENERAL TOLERANCE	UNITS	mm
x.x ±0.30	SHEET SIZE	A4
x.xx ±0.20	Draw:	Daniel 2018-07-10
x.xxx ±0.10	Check:	Daniel 2018-07-10



NingBo KLS ELECTRONIC CO.,LTD.

1 RoHS Compliance

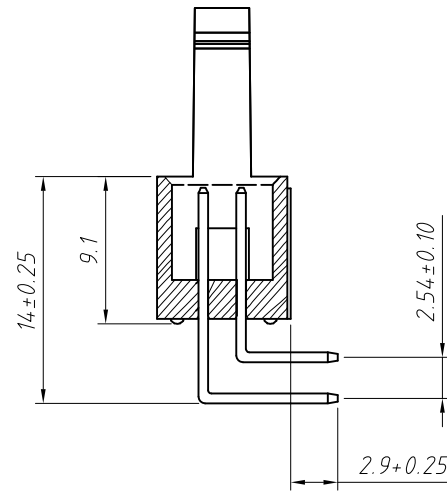
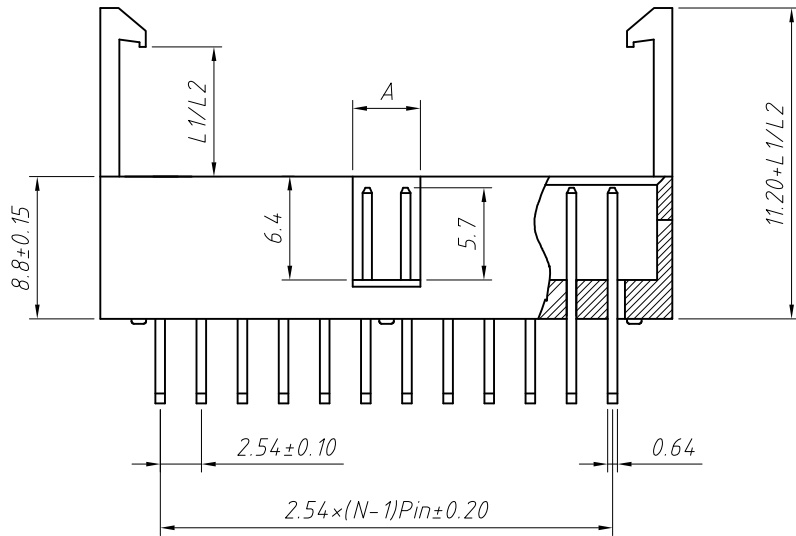


Recommended P.C.B Layout (Top Side)
(PCB BOARD TOLERANCE ± 0.05)

Material:
Housing: PA6T, UL94V-0
Contact: Brass
Plating: Au or Sn Over Ni

Electrical Characteristics:
Rated Current: 3.0AMP
Contact Resistance: $20m\Omega$ Max
Withstand Voltage: 1000V AC/DC
Insulator Resistance: $1000M\Omega$ Min

Mechanical
Operating Temperature: $-40^{\circ}C \sim +105^{\circ}C$
Max. Processing Temp: $230^{\circ}C$ for 30-60 seconds ($260^{\circ}C$ for 10 seconds)

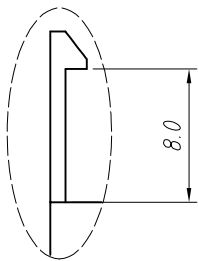


Order Information:

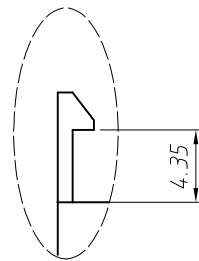
L-KLS1-202E-XX-R-B-L-B

L: RoHS
Box Header Series
202E: 2.54mm Pitch
XX-No. of 06~64 pin
Type: S-Straight pin
R-Right Angle Pin T-SMT
Color: B-Black G-Gray
Latch Type: L=Long Latch
S=Short Latch
Material: A=PBT B=PA6T

A	
6P-8P	10P-64P
4.00	4.40



L=Long Latch



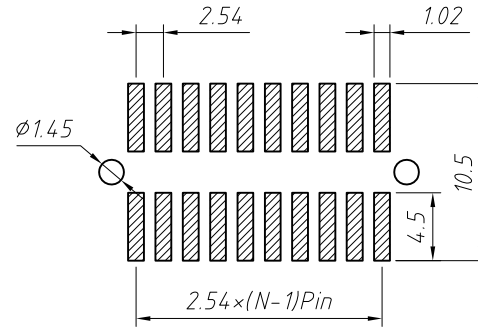
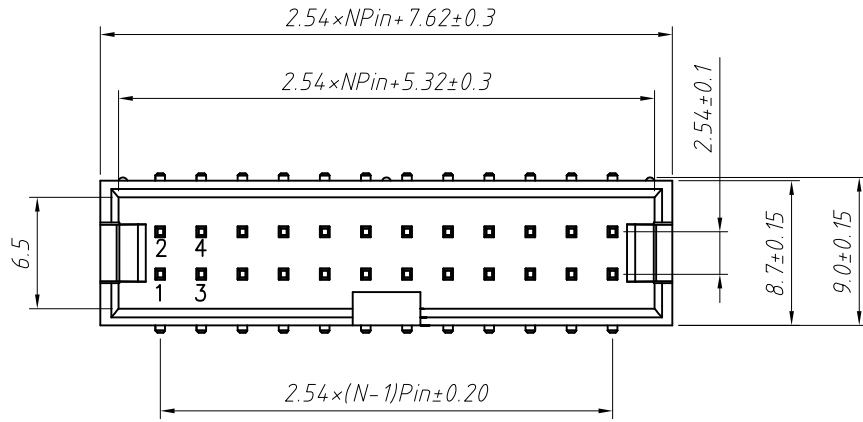
S=Short Latch

ANGLE TOLERANCE	PROJECTION	Description:
$\pm 3^{\circ}$		2.54mm Pitch Box Header Connector
GENERAL TOLERANCE	UNITS	mm
x.x ± 0.30	SHEET SIZE	A4
x.xx ± 0.20	Draw:	Daniel 2018-07-10
x.xxx ± 0.10	Check:	Daniel 2018-07-10



NingBo KLS ELECTRONIC CO.,LTD.

RoHS Compliance

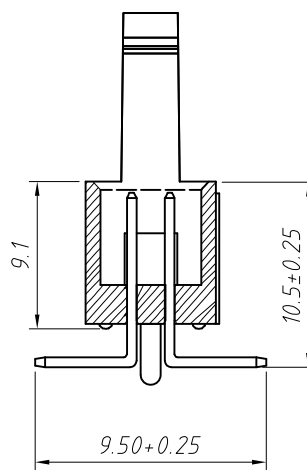
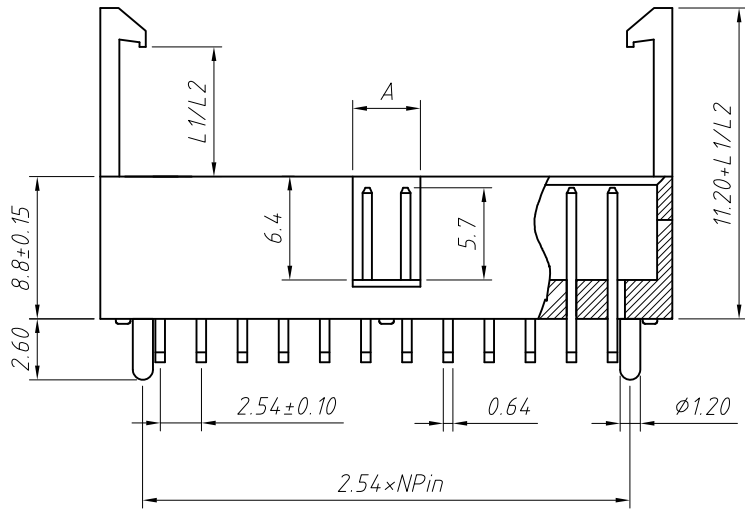


Recommended P.C.B Layout (Top Side)
(PCB BOARD TOLERANCE ±0.05)

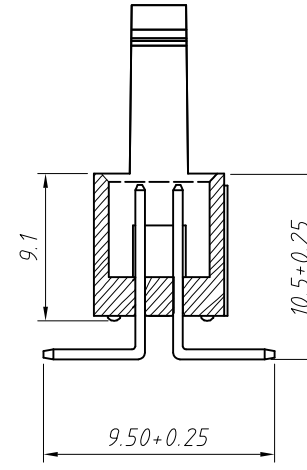
Material:
Housing: PA6T, UL 94V-0
Contact: Brass
Plating: Au or Sn Over Ni

Electrical Characteristics:
Rated Current: 3.0AMP
Contact Resistance: 20mΩ Max
Withstand Voltage: 1000V AC/DC
Insulator Resistance: 1000MΩ Min

Mechanical
Operating Temperature: -40°C ~ +105°C
Max. Processing Temp: 230°C for 30-60 seconds (260°C for 10 seconds)



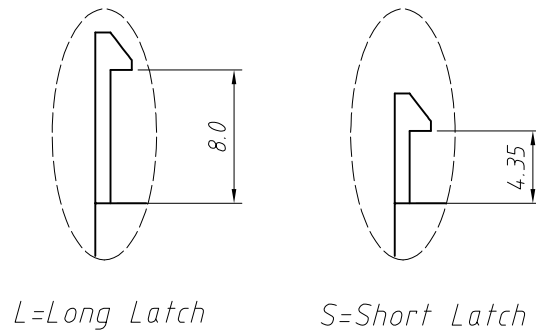
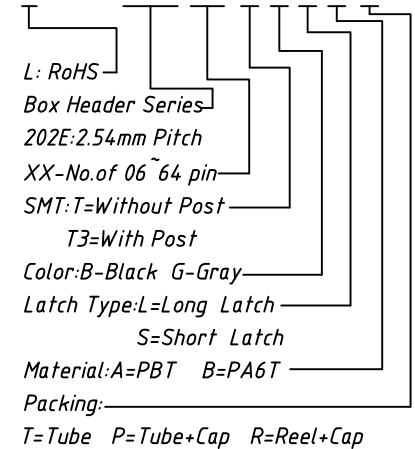
T3=With Post



T=Without Post

Order Information:

L-KLS1-202E-XX-T-B-L-B-T



A	
6P-8P	10P-64P
4.00	4.40

ANGLE TOLERANCE	PROJECTION	Description:
±3°		2.54mm Pitch Box Header Connector
GENERAL TOLERANCE	UNITS	mm
x.x ±0.30	SHEET SIZE	A4
x.xx ±0.20	Draw:	Daniel 2018-07-10
x.xxx ±0.10	Check:	Daniel 2018-07-10



NingBo KLS ELECTRONIC CO.,LTD.