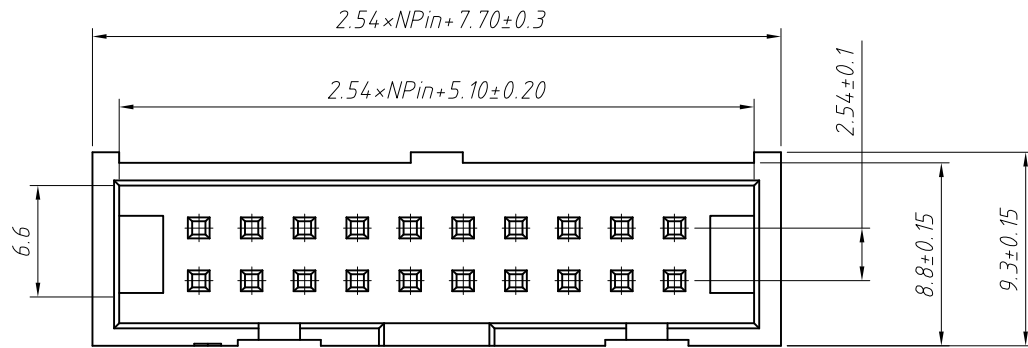
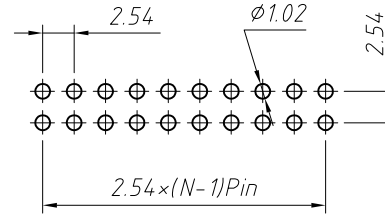


1 RoHS Compliance



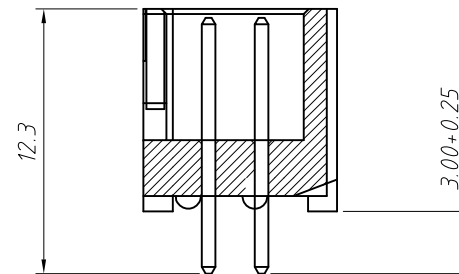
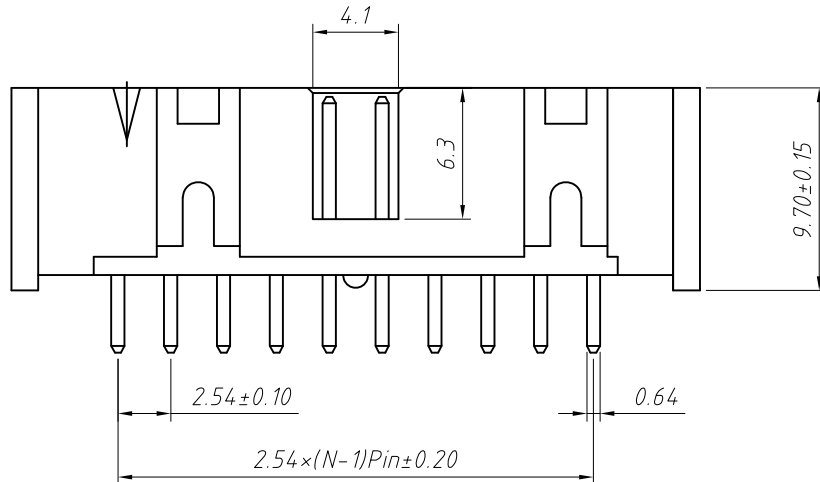
Recommended P.C.B Layout (Top Side)  
(PCB BOARD TOLERANCE ±0.05)



**Material:**  
Housing: PBT, UL94V-0  
Contact: Brass  
Plating: Au or Sn Over Ni

**Electrical Characteristics:**  
Rated Current: 3.0AMP  
Contact Resistance: 20mΩ Max  
Withstand Voltage: 1000V AC/DC  
Insulator Resistance: 1000MΩ Min

**Mechanical**  
Operating Temperature: -40°C ~ +105°C  
Max. Processing Temp: 180°C for 30-60 seconds (200°C for 10 seconds)



**Order Information:**  
L-KLS1-2021-XX-S-B-A

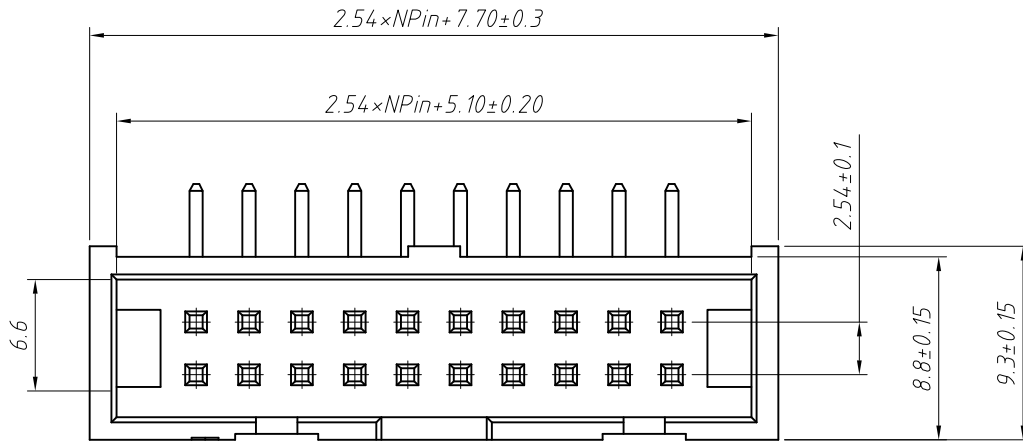
L: RoHS  
Box Header Series  
2021: 2.54mm Pitch  
XX-No. of 08 ~ 64 pin  
Type: S-Straight pin  
R-Right Angle Pin T-SMT  
Color: B-Black G-Gray  
Material: A=PBT B=PA6T

ANGLE TOLERANCE	PROJECTION	Description:
±3°		2.54mm Pitch Box Header Connector
GENERAL TOLERANCE	UNITS	mm
x.x ±0.30	SHEET SIZE	A4
x.xx ±0.20	Draw:	Daniel 2018-07-10
x.xxx ±0.10	Check:	Daniel 2018-07-10

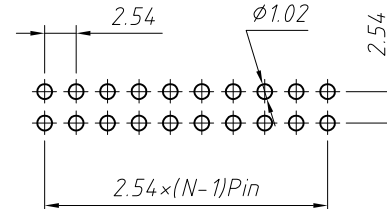


NingBo KLS ELECTRONIC CO.,LTD.

1 RoHS Compliance



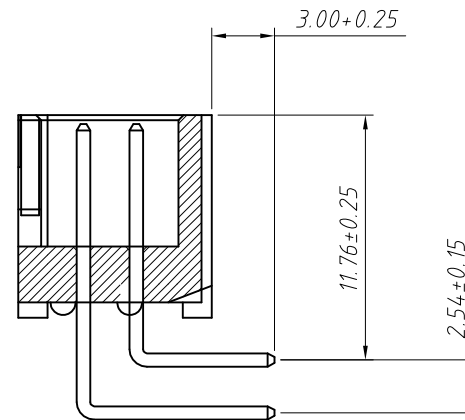
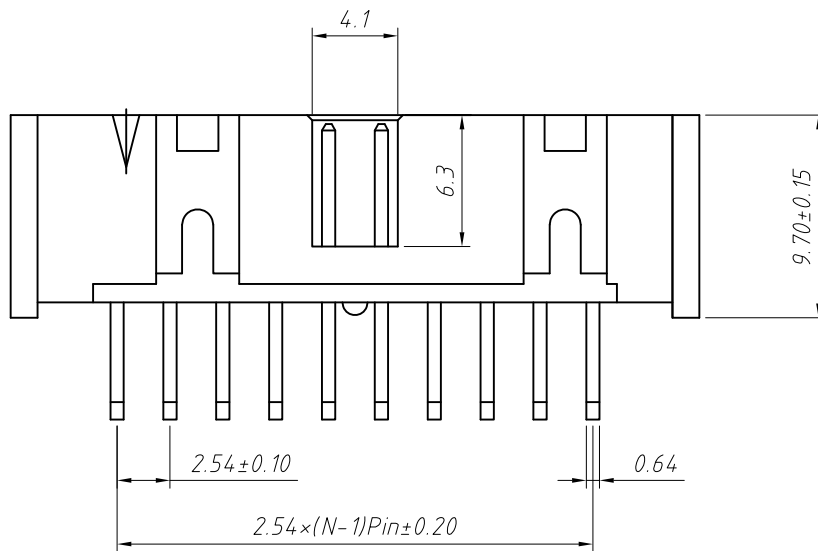
Recommended P.C.B Layout (Top Side)  
(PCB BOARD TOLERANCE±0.05)



Material:  
Housing:PBT,UL94V-0  
Contact:Brass  
Plating:Au or Sn Over Ni

Electrical Characteristics:  
Rated Current: 3.0AMP  
Contact Resistance: 20mΩ Max  
Withstand Voltage: 1000V AC/DC  
Insulator Resistance: 1000MΩ Min

Mechanical  
Operating Temperature: -40°C ~ +105°C  
Max.Processing Temp:180°C for 30-60 seconds (200°C for 10 seconds)



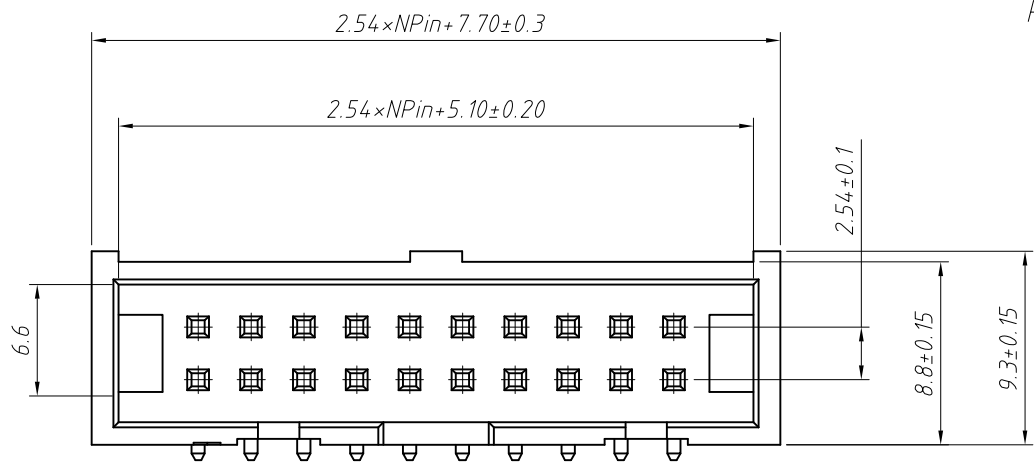
Order Information:  
L-KLS1-2021-XX-R-B-A  
L: RoHS  
Box Header Series  
2021:2.54mm Pitch  
XX-No.of 08 ~ 64 pin  
Type:S-Straight pin  
R-Right Angle Pin T-SMT  
Color:B-Black G-Gray  
Material:A=PBT B=PA6T

ANGLE TOLERANCE	PROJECTION	Description:
±3°		2.54mm Pitch Box Header Connector
GENERAL TOLERANCE	UNITS	mm
x.x ±0.30	SHEET SIZE	A4
x.xx ±0.20	Draw:	Daniel 2018-07-10
x.xxx ±0.10	Check:	Daniel 2018-07-10

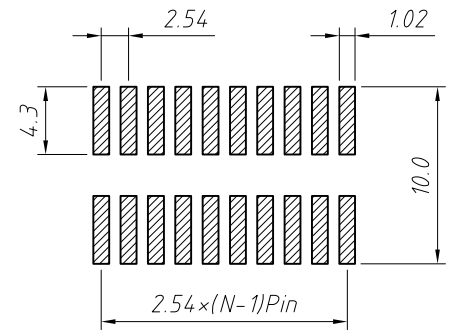


NingBo KLS ELECTRONIC CO.,L TD.

1  
RoHS Compliance



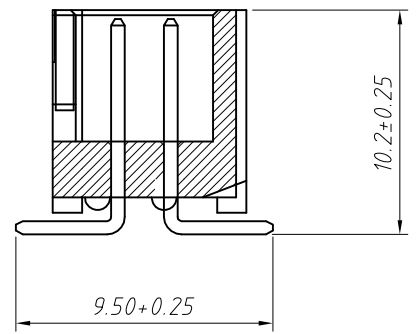
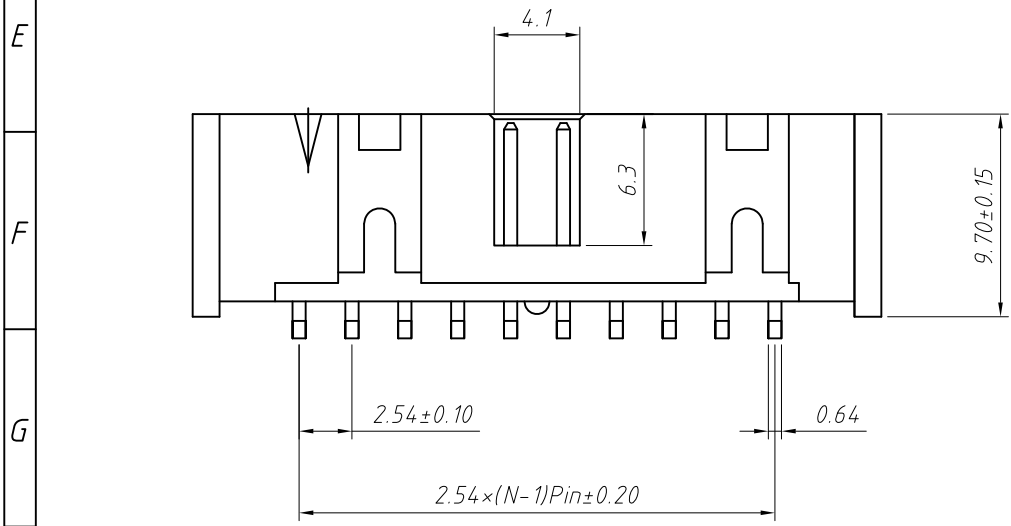
Recommended P.C.B Layout (Top Side)  
(PCB BOARD TOLERANCE±0.05)



**Material:**  
Housing:PBT,UL94V-0  
Contact:Brass  
Plating:Au or Sn Over Ni

**Electrical Characteristics:**  
Rated Current: 3.0AMP  
Contact Resistance: 20mΩ Max  
Withstand Voltage: 1000V AC/DC  
Insulator Resistance: 1000MΩ Min

**Mechanical**  
Operating Temperature: -40°C~+105°C  
Max.Processing Temp:180°C for 30-60 seconds (200°C for 10 seconds)



**Order Information:**  
L-KLS1-2021-XX-T-B-A-T  
L: RoHS  
Box Header Series  
2021:2.54mm Pitch  
XX-No.of 08~64 pin  
Type:S-Straight pin  
R-Right Angle Pin T-SMT  
Color:B-Black G-Gray  
Material:A=PBT B=PA6T  
Packing:  
T=Tube P=Tube+Cap R=Reel+Cap

ANGLE TOLERANCE	PROJECTION		Description:
±3°			2.54mm Pitch Box Header Connector
GENERAL TOLERANCE	UNITS	mm	KLS P/N:
x.x ±0.30	SHEET SIZE	A4	L-KLS1-2021-XX-T-B-A-T
x.xx ±0.20	Draw:	Daniel	2018-07-10
x.xxx ±0.10	Check:	Daniel	2018-07-10

