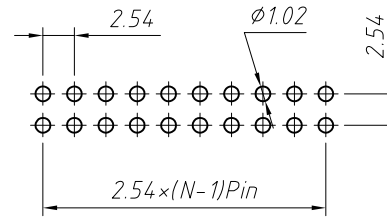
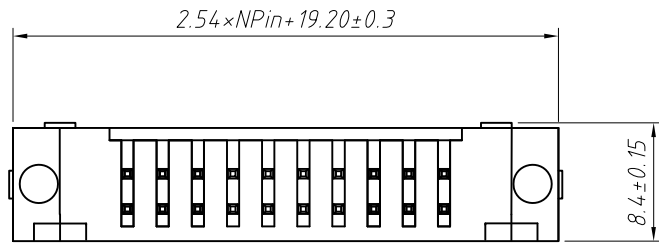


RoHS Compliance

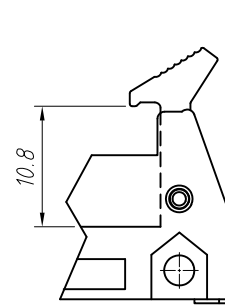
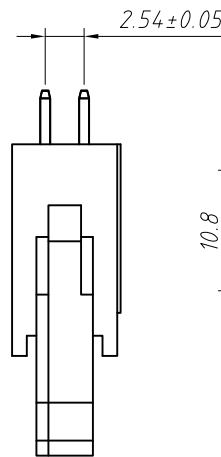
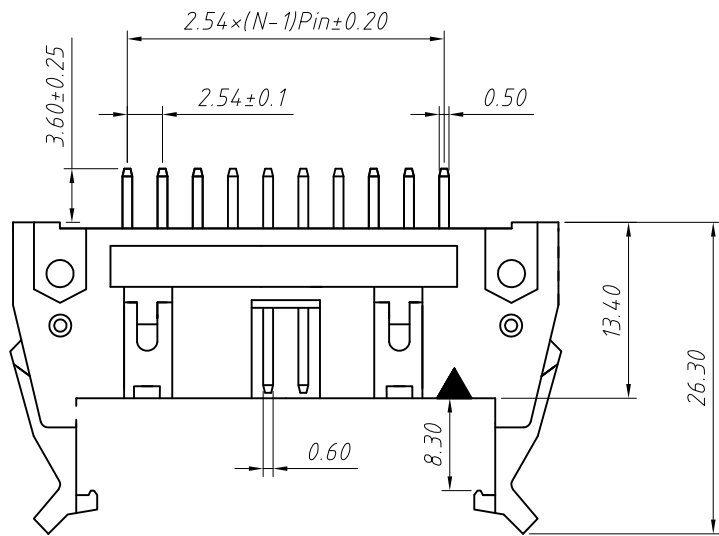


Recommended P.C.B Layout (Top Side)
(PCB BOARD TOLERANCE ± 0.05)

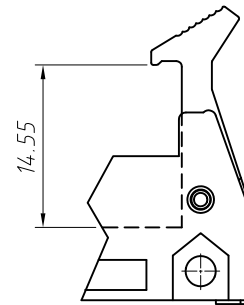
Material:
Housing: PBT, UL 94V-0
Contact: Brass
Plating: Gold plated 0.8u"

Electrical Characteristics:
Rated Current: 3.0AMP
Contact Resistance: 20mΩ Max
Withstand Voltage: 1000V AC/DC
Insulator Resistance: 1000MΩ Min

Mechanical
Operating Temperature: -40°C ~ +105°C
Max. Processing Temp: 180°C for 30-60 seconds (200°C for 10 seconds)



S=Short Latch

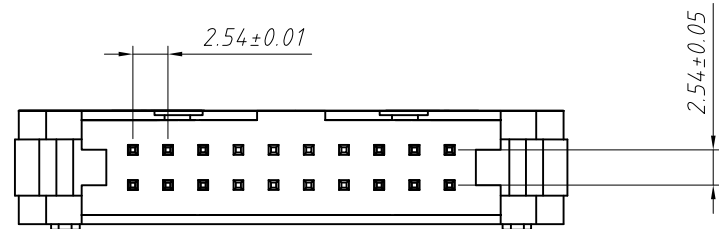


NONE=Long Latch

Order Information:

L-KLS1-201X-XX-S-B-□-□

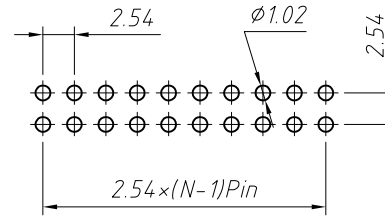
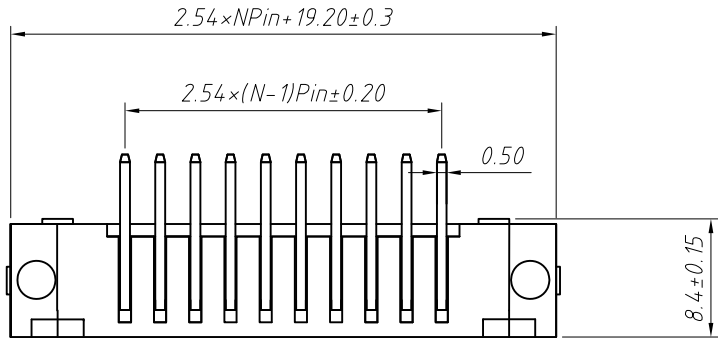
L: RoHS
Box Header Series
201X: 2.54mm Pitch
XX-No. of 06 ~ 64 pin
Type: S-Straight pin
R-Right Angle Pin
Color: B-Black G-Gray
Latch Type: NONE=Long Latch
S=Short Latch
Material: NONE=PBT B=PA6T



ANGLE TOLERANCE	PROJECTION	Description:	2.54mm Pitch	
±3°			Box Header Connector With Latch	
GENERAL TOLERANCE	UNITS	mm	KLS P/N:	L-KLS1-201X-XX-S-B-□-□
x.x ±0.30	SHEET SIZE	A4		
x.xx ±0.20	Draw:	Daniel	2018-07-10	
x.xxx ±0.10	Check:	Daniel	2018-07-10	

NingBo KLS ELECTRONIC CO.,LTD.

RoHS Compliance

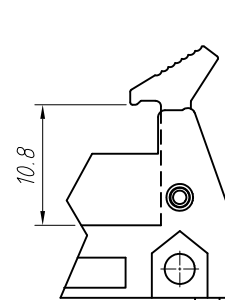
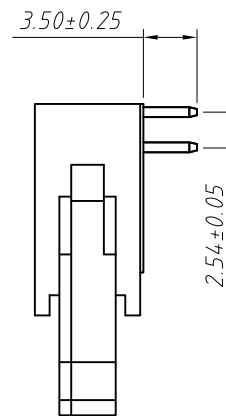
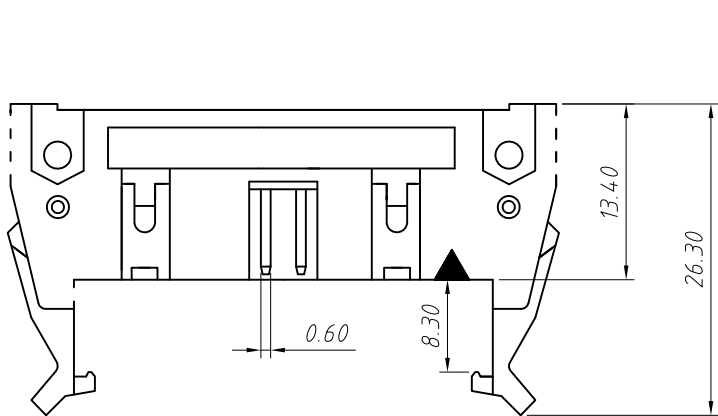


Recommended P.C.B Layout (Top Side)
(PCB BOARD TOLERANCE ± 0.05)

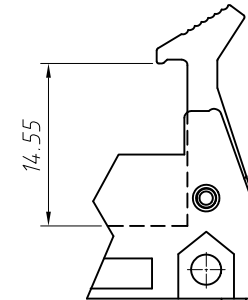
Material:
Housing: PBT, UL 94 V-0
Contact: Brass
Plating: Gold plated 0.8u"

Electrical Characteristics:
Rated Current: 3.0AMP
Contact Resistance: $20m\Omega$ Max
Withstand Voltage: 1000V AC/DC
Insulator Resistance: $1000M\Omega$ Min

Mechanical
Operating Temperature: $-40^{\circ}C \sim +105^{\circ}C$
Max. Processing Temp: $180^{\circ}C$ for 30-60 seconds ($200^{\circ}C$ for 10 seconds)



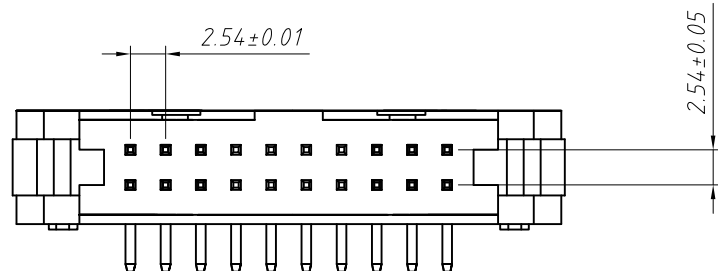
S=Short Latch



NONE=Long Latch

Order Information:

L-KLS1-201X-XX-R-B-□-□
L: RoHS
Box Header Series
201X: 2.54mm Pitch
XX-No. of 06~64 pin
Type: S-Straight pin
R-Right Angle Pin
Color: B-Black G-Gray
Latch Type: NONE=Long Latch
S=Short Latch
Material: NONE=PBT B=PA6T



ANGLE TOLERANCE	PROJECTION	Description:
$\pm 3^{\circ}$		2.54mm Pitch Box Header Connector With Latch
GENERAL TOLERANCE	UNITS	mm
x.x ± 0.30	SHEET SIZE	A4
x.xx ± 0.20	Draw:	Daniel 2018-07-10
x.xxx ± 0.10	Check:	Daniel 2018-07-10



NingBo KLS ELECTRONIC CO.,L TD.