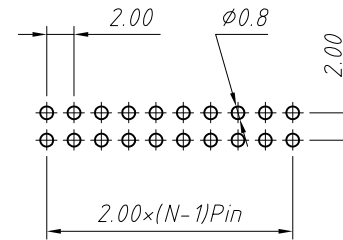
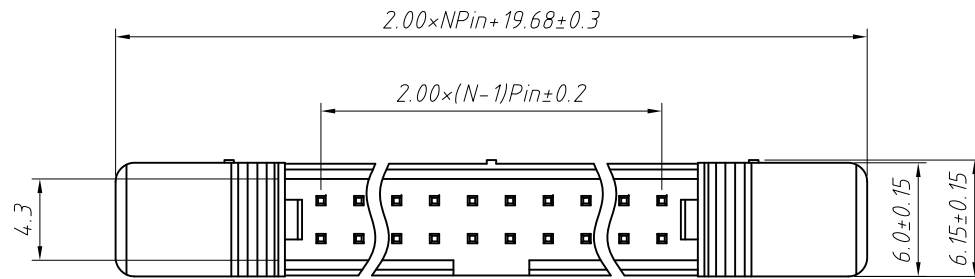


1 RoHS Compliance

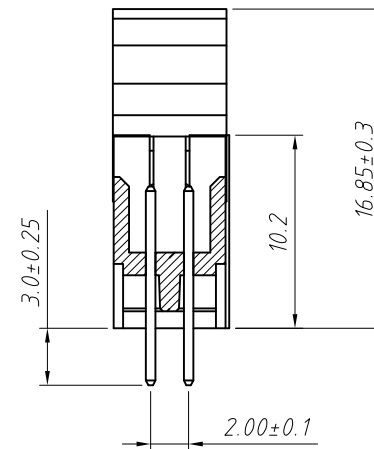
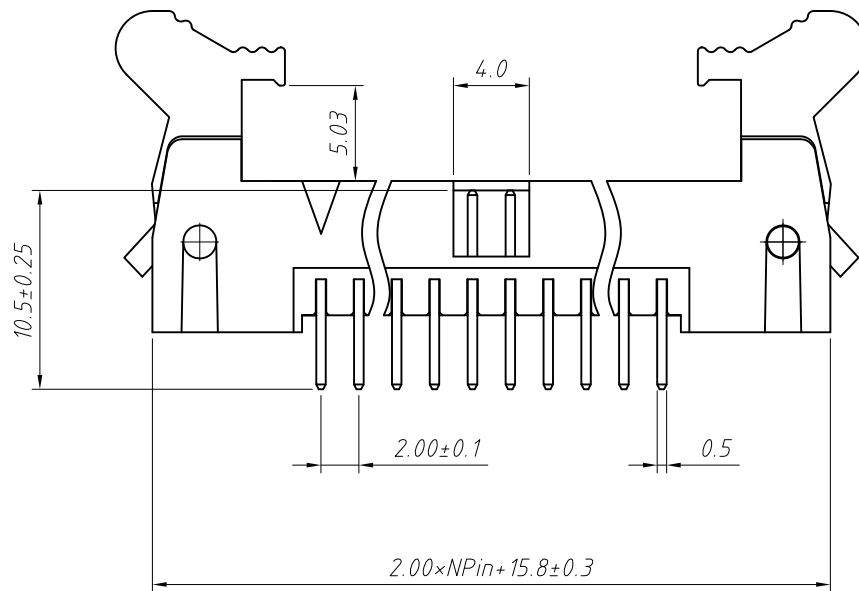


Recommended P.C.B Layout (Top Side)  
(PCB BOARD TOLERANCE ±0.05)

**Material:**  
Housing: PA6T or LCP, UL94V-0  
Contact: Brass  
Plating: Gold plated 1u"

**Electrical Characteristics:**  
Rated Current: 1.5AMP  
Contact Resistance: 20mΩ Max  
Withstand Voltage: 500V AC/DC  
Insulator Resistance: 800MΩ Min

**Mechanical**  
Operating Temperature: -40°C ~ +105°C  
Max. Processing Temp: 230°C for 30-60 seconds (260°C for 10 seconds)



**Order Information:**

L-KLS1-201B-XX-S-B-□

L: RoHS

Box Header Series

201B: 2.00mm Pitch

XX-No. of 06 ~ 68 pin

Type: S-Straight pin

R-Right Angle Pin T-SMT

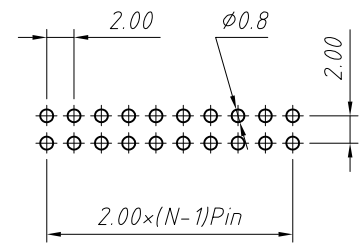
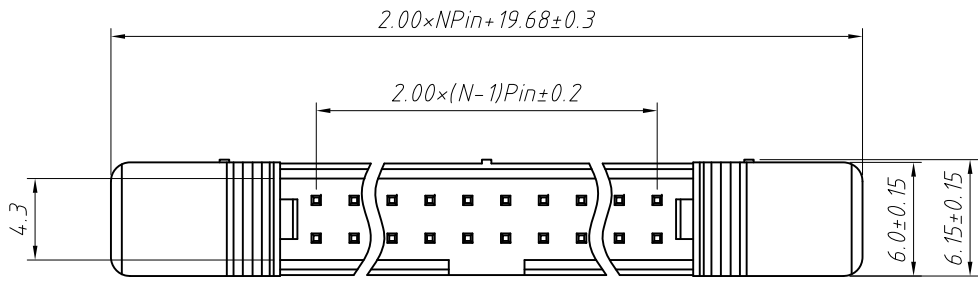
Color: B-Black G-Gray

Material: NONE=PA6T C=LCP

ANGLE TOLERANCE	PROJECTION	Description:	2.00mm Pitch	
±3°		Box Header Connector With Short Latch		
GENERAL TOLERANCE	UNITS	mm	KLS P/N:	L-KLS1-201B-XX-S-B-□
x.x ±0.30	SHEET SIZE	A4		
x.xx ±0.20	Draw:	Daniel	2018-07-10	
x.xxx ±0.10	Check:	Daniel	2018-07-10	

**NingBo KLS ELECTRONIC CO.,LTD.**

1  
RoHS Compliance

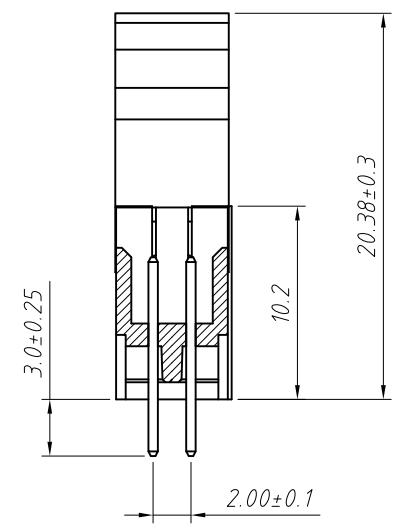
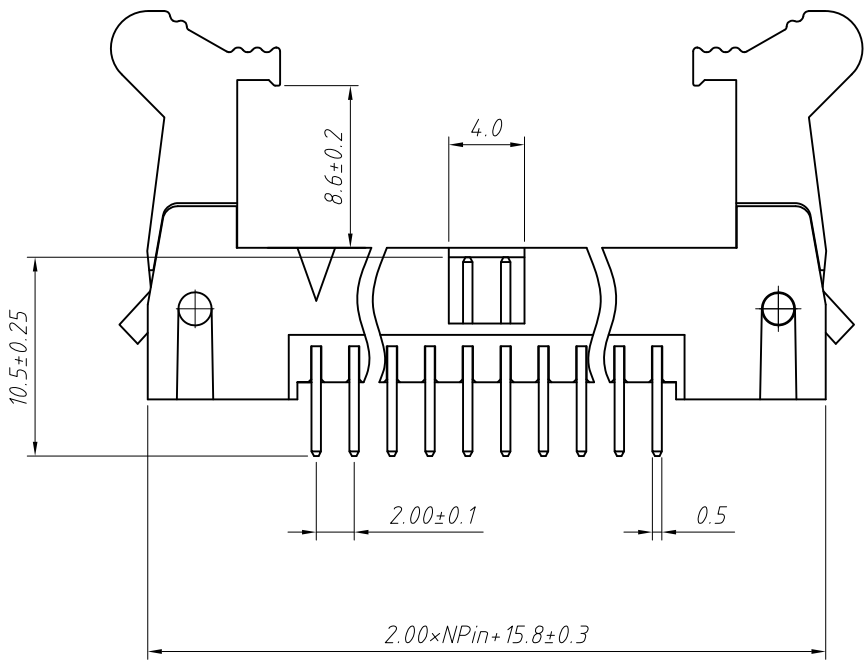


**Material:**  
Housing: PA6T or LCP, UL94V-0  
Contact: Brass  
Plating: Gold plated 1u"

**Electrical Characteristics:**  
Rated Current: 1.5AMP  
Contact Resistance: 20mΩ Max  
Withstand Voltage: 500V AC/DC  
Insulator Resistance: 800MΩ Min

**Mechanical**  
Operating Temperature: -40°C ~ +105°C  
Max. Processing Temp: 230°C for 30-60 seconds (260°C for 10 seconds)

Recommended P.C.B Layout (Top Side)  
(PCB BOARD TOLERANCE ±0.05)

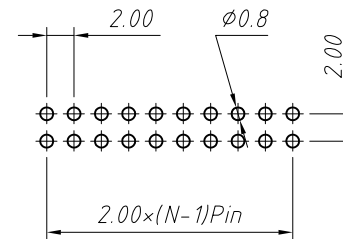
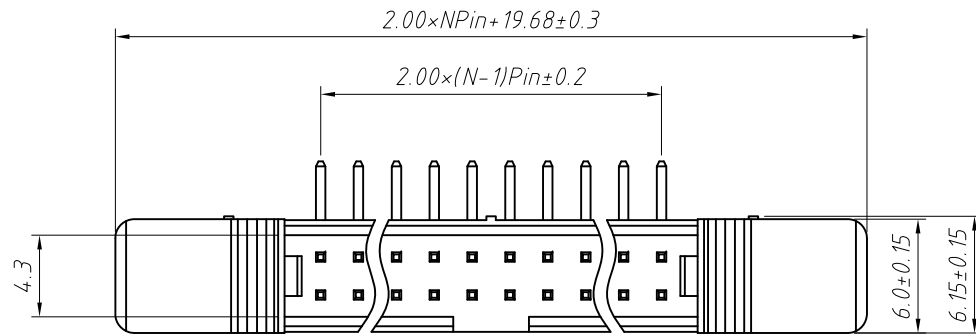


**Order Information:**  
L-KLS1-201B2-XX-S-B-□  
L: RoHS  
Box Header Series  
201B2: 2.00mm Pitch  
XX-No. of 06~68 pin  
Type: S-Straight pin  
R-Right Angle Pin T-SMT  
Color: B-Black G-Gray  
Material: NONE=PA6T C=LCP

ANGLE TOLERANCE	PROJECTION	Description:	2.00mm Pitch	
±3°		Box Header Connector With Long Latch		
GENERAL TOLERANCE	UNITS	mm	KLS P/N:	L-KLS1-201B2-XX-S-B-□
x.x ±0.30	SHEET SIZE	A4		
x.xx ±0.20	Draw:	Daniel	2018-07-10	
x.xxx ±0.10	Check:	Daniel	2018-07-10	

**NingBo KLS ELECTRONIC CO.,L TD.**

1 RoHS Compliance

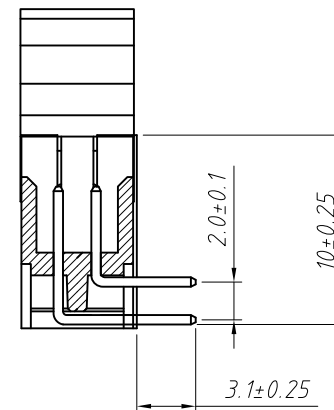
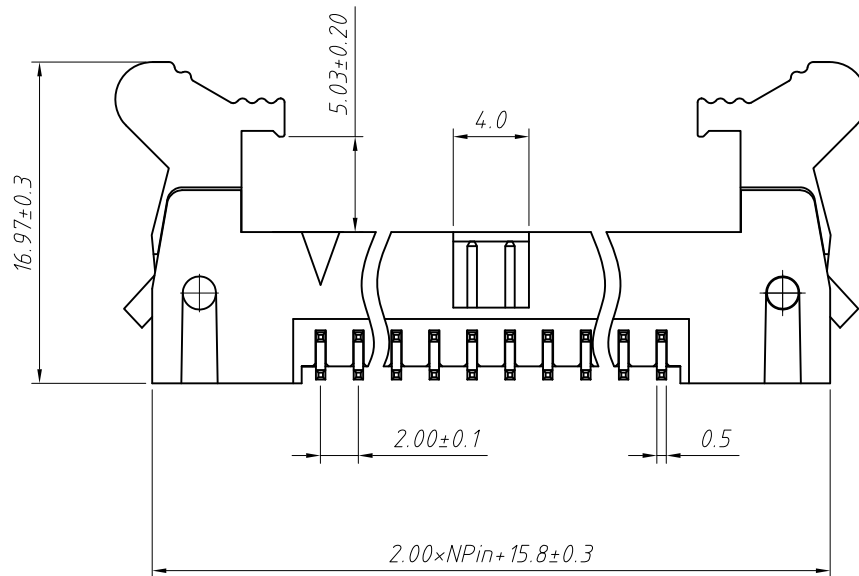


Recommended P.C.B Layout (Top Side)  
(PCB BOARD TOLERANCE±0.05)

**Material:**  
Housing: PA6T or LCP, UL94V-0  
Contact: Brass  
Plating: Gold plated 1u"

**Electrical Characteristics:**  
Rated Current: 1.5AMP  
Contact Resistance: 20mΩ Max  
Withstand Voltage: 500V AC/DC  
Insulator Resistance: 800MΩ Min

**Mechanical**  
Operating Temperature: -40°C ~ +105°C  
Max. Processing Temp: 230°C for 30-60 seconds (260°C for 10 seconds)



**Order Information:**

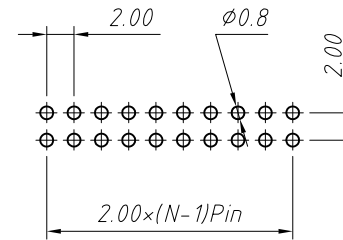
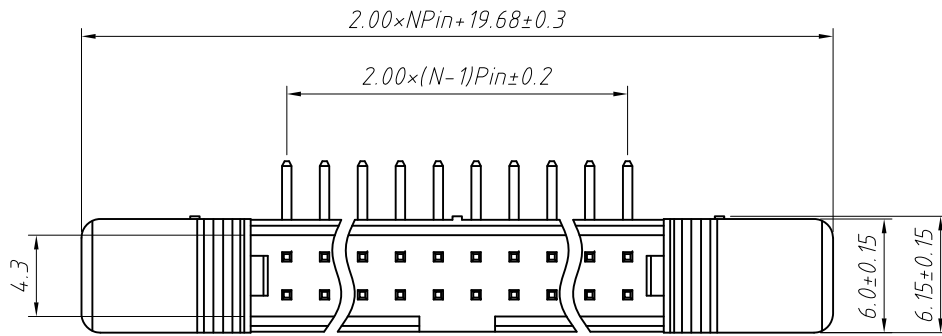
L-KLS1-201B-XX-R-B□

L: RoHS  
Box Header Series  
201B: 2.00mm Pitch  
XX-No. of 06 ~ 68 pin  
Type: S-Straight pin  
R-Right Angle Pin T-SMT  
Color: B-Black G-Gray  
Material: NONE=PA6T C=LCP

ANGLE TOLERANCE	PROJECTION	Description:	2.00mm Pitch	
±3°		Box Header Connector With Short Latch		
GENERAL TOLERANCE	UNITS	mm	KLS P/N:	L-KLS1-201B-XX-R-B□
x.x ±0.30	SHEET SIZE	A4		
x.xx ±0.20	Draw:	Daniel	2018-07-10	
x.xxx ±0.10	Check:	Daniel	2018-07-10	

**NingBo KLS ELECTRONIC CO.,LTD.**

1 RoHS Compliance

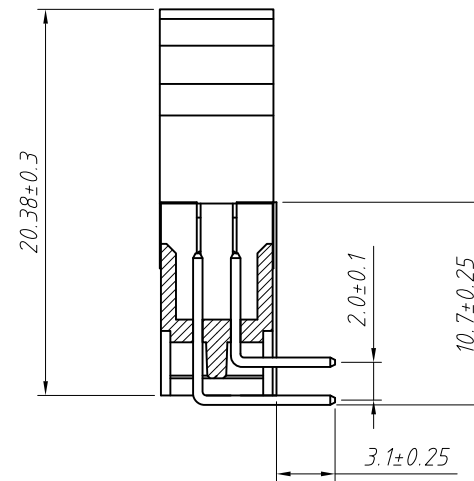
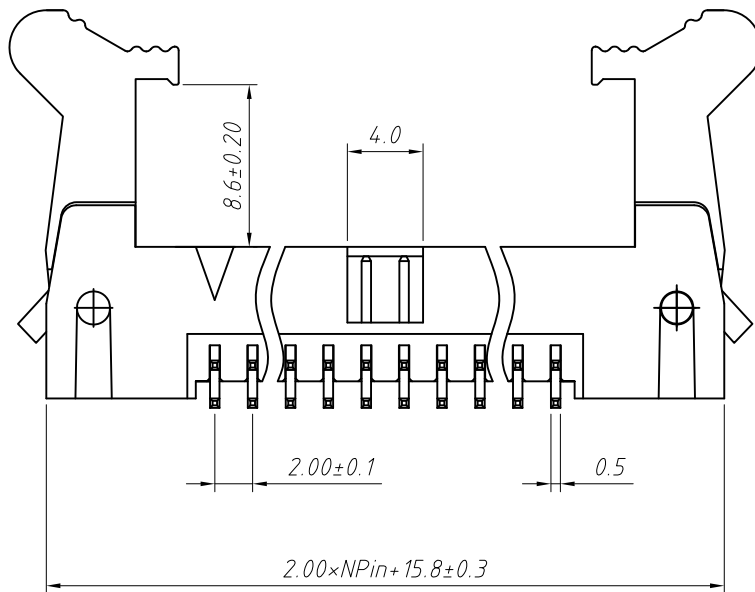


Recommended P.C.B Layout (Top Side)  
(PCB BOARD TOLERANCE±0.05)

Material:  
Housing: PA6T or LCP, UL94V-0  
Contact: Brass  
Plating: Gold plated 1u"

Electrical Characteristics:  
Rated Current: 1.5AMP  
Contact Resistance: 20mΩ Max  
Withstand Voltage: 500V AC/DC  
Insulator Resistance: 800MΩ Min

Mechanical  
Operating Temperature: -40°C ~ +105°C  
Max. Processing Temp: 230°C for 30-60 seconds (260°C for 10 seconds)



Order Information:

L-KLS1-201B2-XX-R-B-□

L: RoHS  
Box Header Series  
201B2: 2.00mm Pitch  
XX-No. of 06 ~ 68 pin  
Type: S-Straight pin  
R-Right Angle Pin T-SMT  
Color: B-Black G-Gray  
Material: NONE=PA6T C=LCP

ANGLE TOLERANCE	PROJECTION	Description:	2.00mm Pitch	
±3°		Box Header Connector With Long Latch		
GENERAL TOLERANCE	UNITS	mm	KLS P/N:	L-KLS1-201B2-XX-R-B-□
x.x ±0.30	SHEET SIZE	A4		
x.xx ±0.20	Draw:	Daniel	2018-07-10	
x.xxx ±0.10	Check:	Daniel	2018-07-10	

NingBo KLS ELECTRONIC CO.,LTD.

1  
RoHS Compliance

2 3 4 5 6 7 8

A

B

C

D

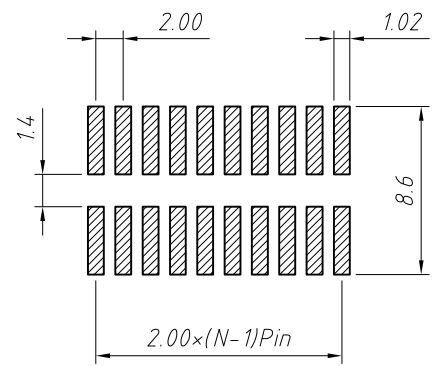
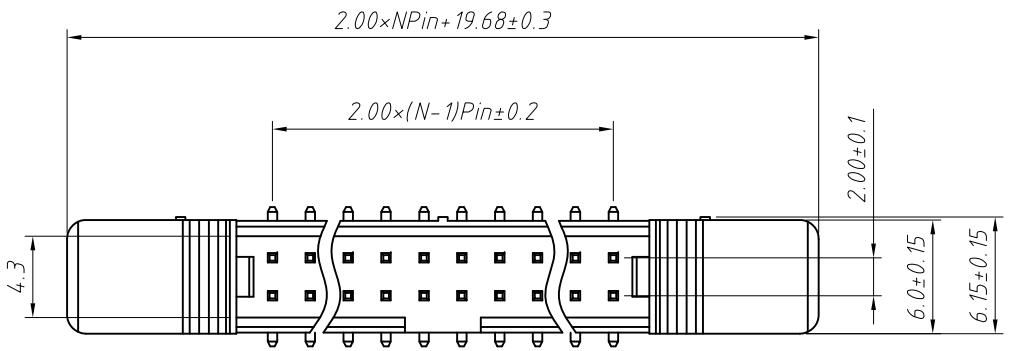
E

F

G

H

1 2 3 4 5 6 7 8

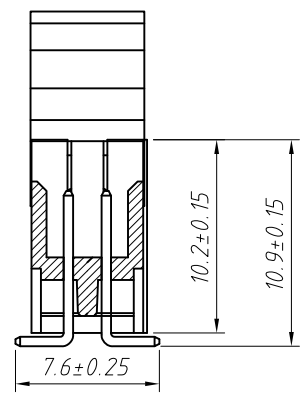
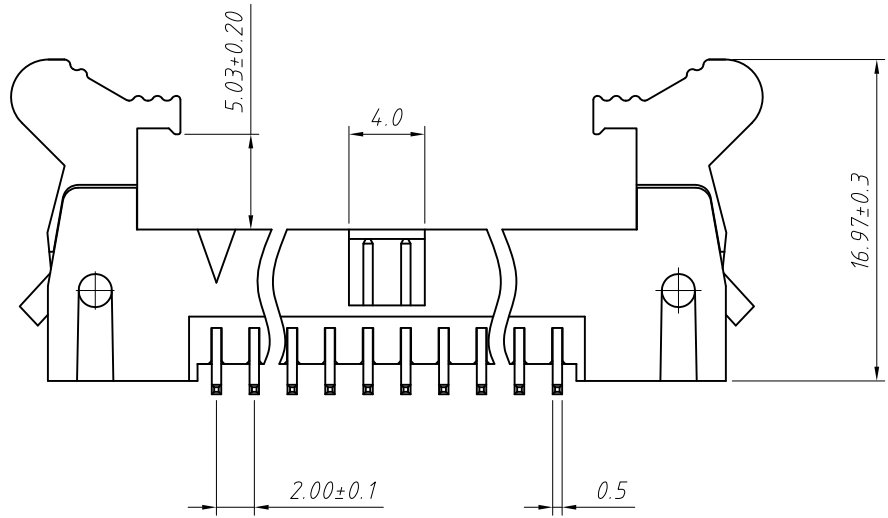


**Material:**  
Housing: PA6T or LCP, UL94V-0  
Contact: Brass  
Plating: Gold plated 1u"

**Electrical Characteristics:**  
Rated Current: 1.5AMP  
Contact Resistance: 20mΩ Max  
Withstand Voltage: 500V AC/DC  
Insulator Resistance: 800MΩ Min

**Mechanical**  
Operating Temperature: -40°C ~ +105°C  
Max. Processing Temp: 230°C for 30-60 seconds (260°C for 10 seconds)

Recommended P.C.B Layout (Top Side)  
(PCB BOARD TOLERANCE ±0.05)



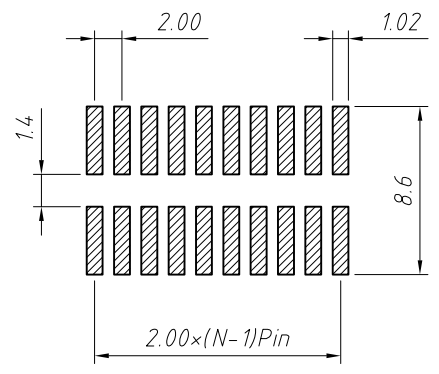
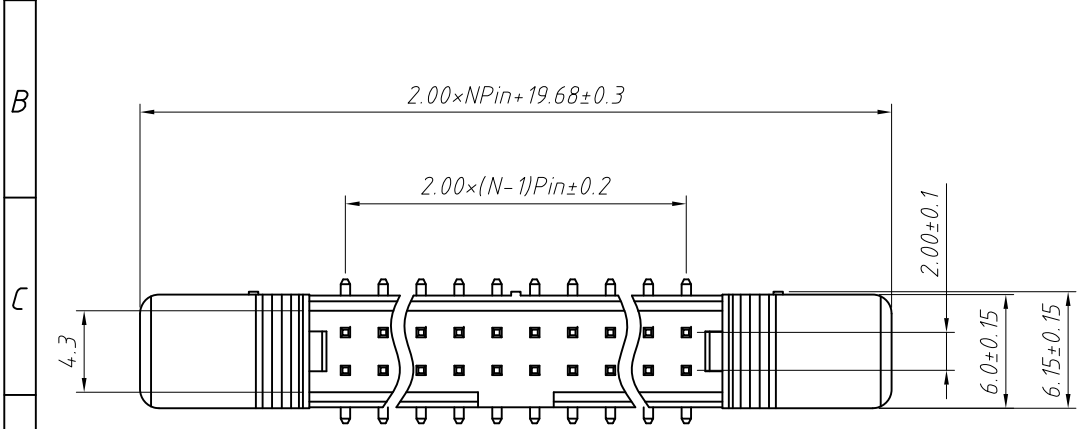
**Order Information:**  
L-KLS1-201B-XX-T-B-□-T  
L: RoHS  
Box Header Series  
201B: 2.00mm Pitch  
XX-No. of 06 ~ 68 pin  
Type: S-Straight pin  
R-Right Angle Pin T-SMT  
Color: B-Black G-Gray  
Material: NONE=PA6T C=LCP  
Packing: \_\_\_\_\_  
T=Tube P=Tube+Cap R=Reel+Cap

ANGLE TOLERANCE	PROJECTION	Description:	2.00mm Pitch	
±3°		Box Header Connector With Short Latch		
GENERAL TOLERANCE	UNITS	mm	KLS P/N:	L-KLS1-201B-XX-T-B-□-T
x.x ±0.30	SHEET SIZE	A4		
x.xx ±0.20	Draw:	Daniel	2018-07-10	
x.xxx ±0.10	Check:	Daniel	2018-07-10	

NingBo KLS ELECTRONIC CO.,L TD.

1  
RoHS Compliance

2 3 4 5 6 7 8



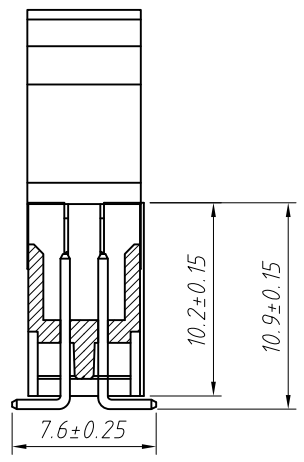
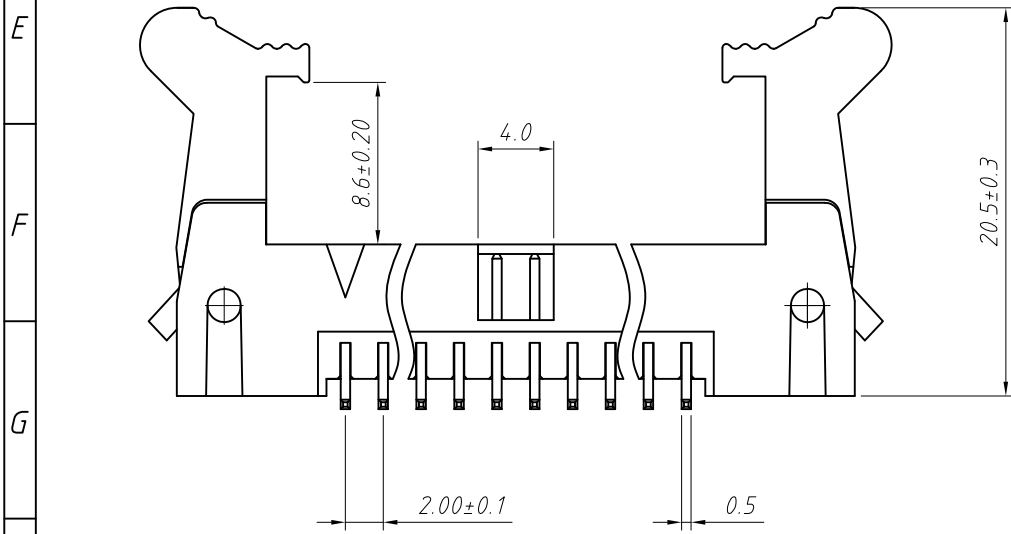
**Material:**  
Housing: PA6T or LCP, UL94V-0  
Contact: Brass  
Plating: Gold plated 1u"

**Electrical Characteristics:**  
Rated Current: 1.5AMP  
Contact Resistance: 20mΩ Max  
Withstand Voltage: 500V AC/DC  
Insulator Resistance: 800MΩ Min

**Mechanical**  
Operating Temperature: -40°C ~ +105°C  
Max. Processing Temp: 230°C for 30-60 seconds (260°C for 10 seconds)

Recommended P.C.B Layout (Top Side)  
(PCB BOARD TOLERANCE ±0.05)

D



**Order Information:**  
L-KLS1-201B2-XX-T-B-□-T  
L: RoHS  
Box Header Series  
201B2: 2.00mm Pitch  
XX-No. of 06 ~ 68 pin  
Type: S-Straight pin  
R-Right Angle Pin T-SMT  
Color: B-Black G-Gray  
Material: NONE=PA6T C=LCP  
Packing: \_\_\_\_\_  
T=Tube P=Tube+Cap R=Reel+Cap

ANGLE TOLERANCE	PROJECTION	Description:	2.00mm Pitch	
±3°		Box Header Connector With Long Latch		
GENERAL TOLERANCE	UNITS	mm	KLS P/N:	L-KLS1-201B2-XX-T-B-□-T
x.x ±0.30	SHEET SIZE	A4		
x.xx ±0.20	Draw:	Daniel	2018-07-10	
x.xxx ±0.10	Check:	Daniel	2018-07-10	

NingBo KLS ELECTRONIC CO.,L TD.

1 2 3 4 5 6 7 8

H

H