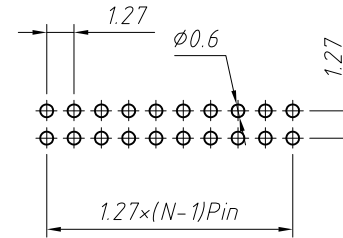
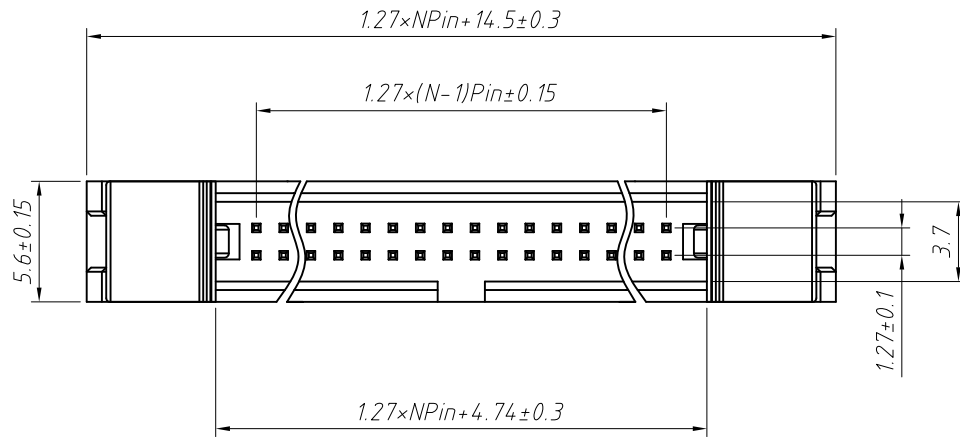


RoHS Compliance

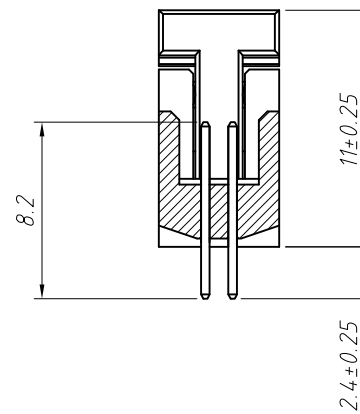
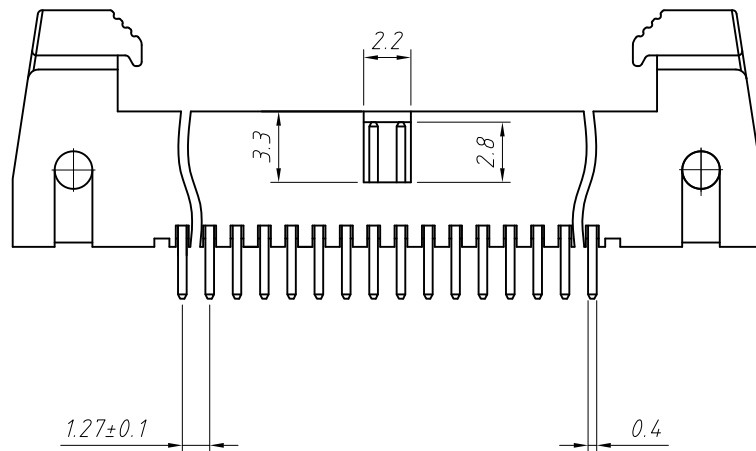


Recommended P.C.B Layout (Top Side)
(PCB BOARD TOLERANCE ±0.05)

Material:
Housing: PA6T or LCP, UL94V-0
Contact: Brass
Plating: Gold plated: 1u"

Electrical Characteristics:
Rated Current: 1.0AMP
Contact Resistance: 20mΩ Max
Withstand Voltage: 500V AC/DC
Insulator Resistance: 1000MΩ Min

Mechanical
Operating Temperature: -40°C ~ +105°C
Max. Processing Temp: 230°C for 30-60 seconds (260°C for 10 seconds)



Order Information:

L-KLS1-201C-XX-S-B-□

L: RoHS

Box Header Series

201C: 1.27mm Pitch

XX-No. of 06 ~ 68 pin

Type: S-Straight pin

R-Right Angle Pin T-SMT

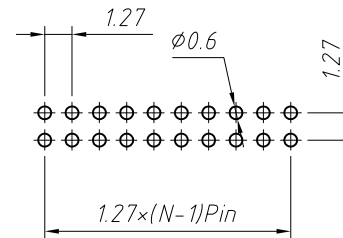
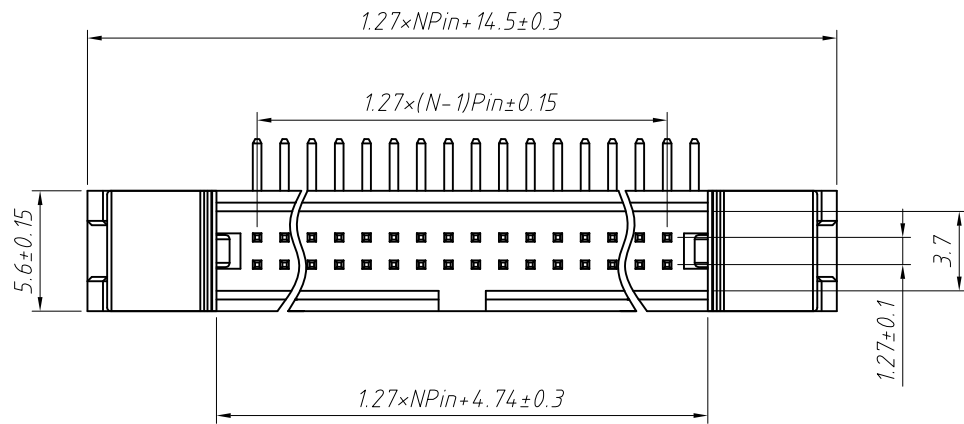
Color: B-Black G-Gray

Material: NONE=PA6T C=LCP

ANGLE TOLERANCE	PROJECTION	Description:	1.27mm Pitch	
±3°			Box Header Connector With Latch	
GENERAL TOLERANCE	UNITS	mm	KLS P/N:	L-KLS1-201C-XX-S-B-□
x.x ±0.30	SHEET SIZE	A4		
x.xx ±0.20	Draw:	Daniel	2018-07-10	
x.xxx ±0.10	Check:	Daniel	2018-07-10	

NingBo KLS ELECTRONIC CO.,L TD.

1 RoHS Compliance

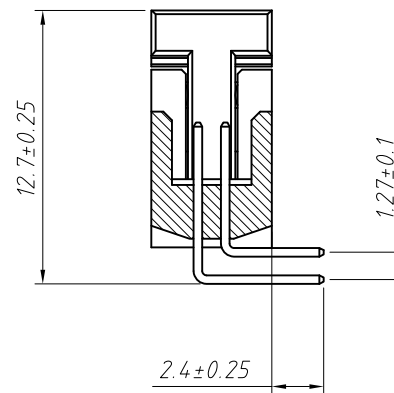
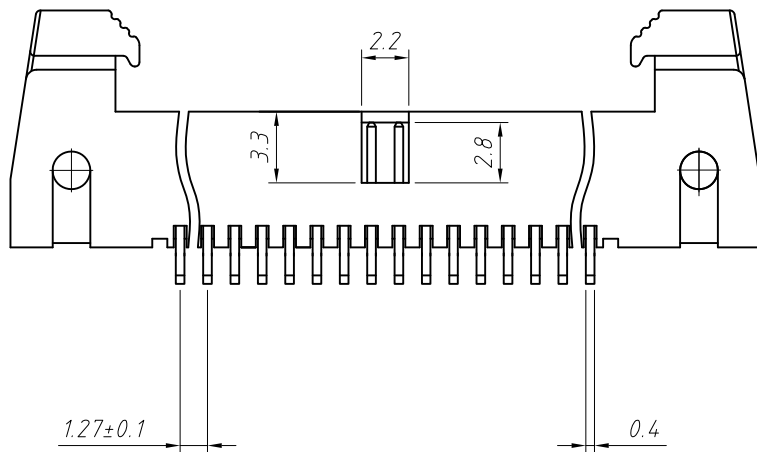


Recommended P.C.B Layout (Top Side)
(PCB BOARD TOLERANCE ±0.05)

Material:
Housing: PA6T or LCP, UL94V-0
Contact: Brass
Plating: Gold plated: 1u"

Electrical Characteristics:
Rated Current: 1.0AMP
Contact Resistance: 20mΩ Max
Withstand Voltage: 500V AC/DC
Insulator Resistance: 1000MΩ Min

Mechanical
Operating Temperature: -40°C ~ +105°C
Max. Processing Temp: 230°C for 30-60 seconds (260°C for 10 seconds)



Order Information:

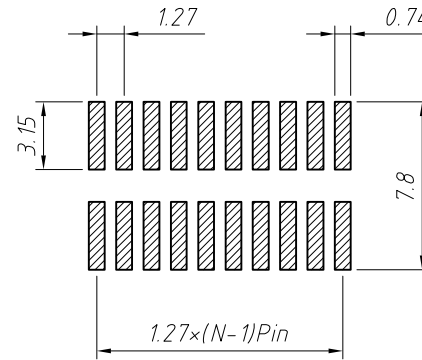
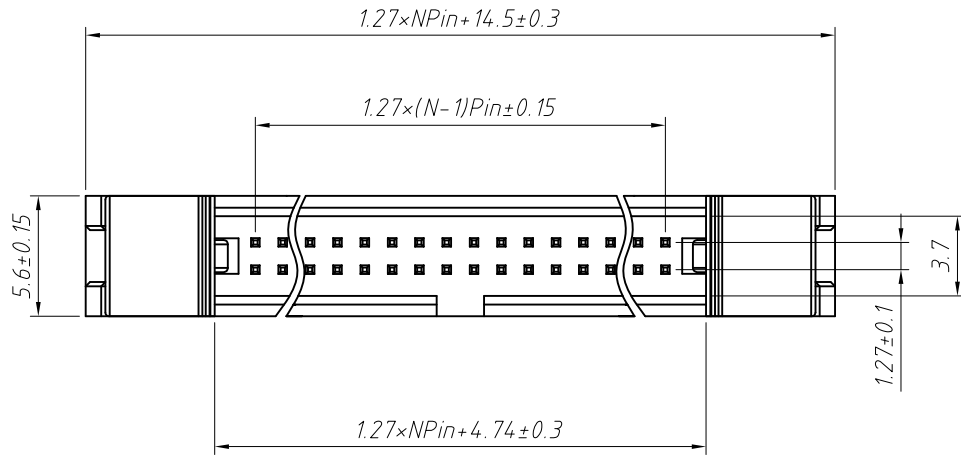
L-KLS1-201C-XX-R-B-□

L: RoHS
Box Header Series
201C: 1.27mm Pitch
XX-No. of 06 ~ 68 pin
Type: S-Straight pin
R-Right Angle Pin T-SMT
Color: B-Black G-Gray
Material: NONE=PA6T C=LCP

ANGLE TOLERANCE	PROJECTION	Description:	1.27mm Pitch	
±3°			Box Header Connector With Latch	
GENERAL TOLERANCE	UNITS	mm	KLS P/N:	L-KLS1-201C-XX-R-B-□
x.x ±0.30	SHEET SIZE	A4		
x.xx ±0.20	Draw:	Daniel	2018-07-10	
x.xxx ±0.10	Check:	Daniel	2018-07-10	

NingBo KLS ELECTRONIC CO.,LTD.

1 RoHS Compliance

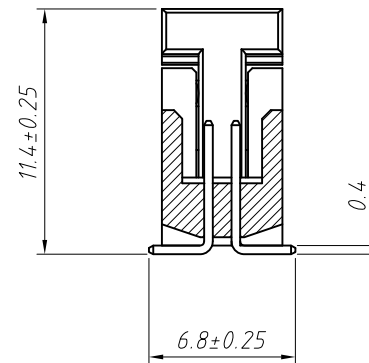
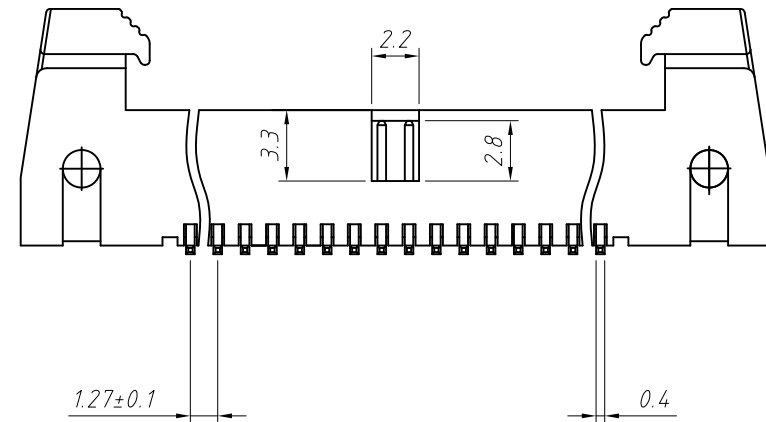


Recommended P.C.B Layout (Top Side)
(PCB BOARD TOLERANCE ±0.05)

Material:
Housing: PA6T or LCP, UL94V-0
Contact: Brass
Plating: Gold plated: 1u"

Electrical Characteristics:
Rated Current: 1.0AMP
Contact Resistance: 20mΩ Max
Withstand Voltage: 500V AC/DC
Insulator Resistance: 1000MΩ Min

Mechanical
Operating Temperature: -40°C ~ +105°C
Max. Processing Temp: 230°C for 30-60 seconds (260°C for 10 seconds)



Order Information:

L-KLS1-201C-XX-T-B-□-T

L: RoHS
Box Header Series
201C: 1.27mm Pitch
XX-No. of 06 ~ 68 pin
Type: S-Straight pin
R-Right Angle Pin T-SMT
Color: B-Black G-Gray
Material: NONE=PA6T C=LCP
Packing:
T=Tube P=Tube+Cap R=Reel+Cap

ANGLE TOLERANCE	PROJECTION	Description:	1.27mm Pitch	
±3°			Box Header Connector With Latch	
GENERAL TOLERANCE	UNITS	mm	KLS P/N:	L-KLS1-201C-XX-T-B-□-T
x.x ±0.30	SHEET SIZE	A4		
x.xx ±0.20	Draw:	Daniel	2018-07-10	
x.xxx ±0.10	Check:	Daniel	2018-07-10	

KLS NingBo KLS ELECTRONIC CO.,LTD.