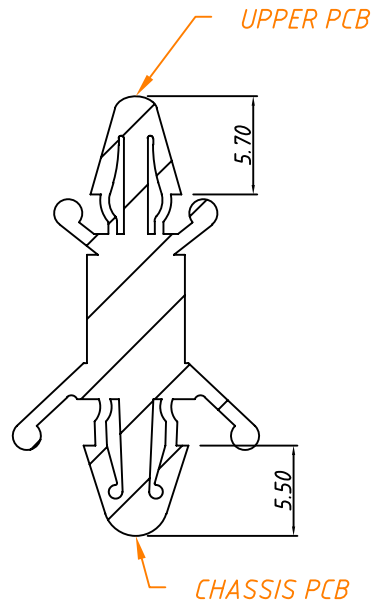
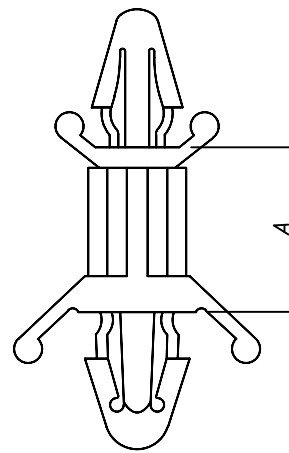


1 RoHS Compliance

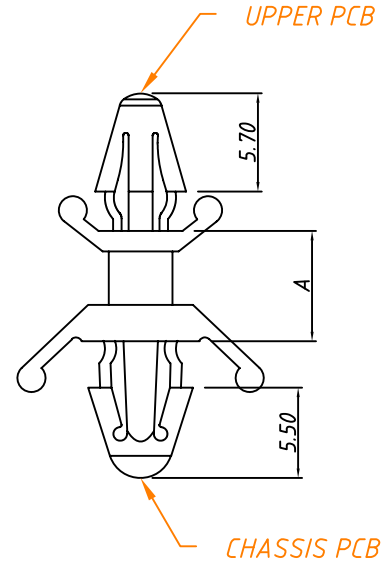
Note:
 Material: NYLON 66(UL 94V-2), NATURAL
 Working temperature: 0°C ~ 80°C
 Dipping Bibulous: 2.5% at 20°C 24H
 50% Humidity
 Withstand Voltage: 2500V/0.5mA/1m
 Heat Resistance: B-130°C
 (30m without melting at 200 °C)
 Application: the fixed PC board on the boards, free tools, easy to remove.



STANDARD DESIGN



CS-0305 CS-0406



L-KLS8-0201-CS-2236	35.0	ø4.0	2.50	ø4.8	2.50	1000PCS
L-KLS8-0201-CS-1828	28.5					
L-KLS8-0201-CS-1625	25.4					
L-KLS8-0201-CS-1422	22.2					
L-KLS8-0201-CS-1219	19.1					
L-KLS8-0201-CS-1016	15.9					
L-KLS8-0201-CS-0813	12.7					
L-KLS8-0201-CS-0610	9.6					
L-KLS8-0201-CS-0406	6.4					
L-KLS8-0201-CS-0305	4.8					
P/N	A	UPPER PCB	THICKNESS	CHASSIS PCB	THICKNESS	PACKING

GENERAL TOLERANCE		PROJECTION		Description:
<4mm	±0.15	UNITS	mm	ø4.0/4.8mm PCB SUPPORT
4 ~ 15mm	±0.20	SCALE	2:1	
15 ~ 30mm	±0.30	Draw:	Daniel	KLS P/N: L-KLS8-0201-CS-XXXX
30 ~ 50mm	±0.50	Check :	Daniel	NingBo KLS ELECTRONIC CO.,L TD.
50 ~ 100mm	±0.70	Date	2020-05-01	
>100mm	±1.00	SHEET	1 OF 1	