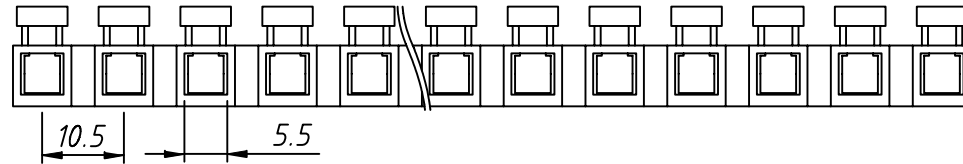
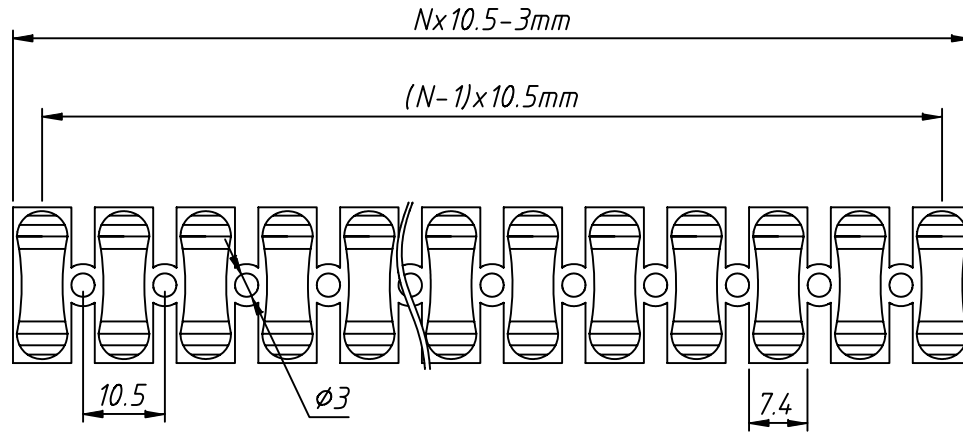


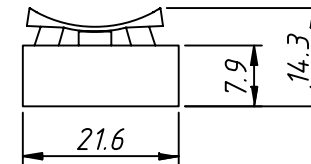
1 RoHS Compliance



Electrical :
 Rated Voltage: 250V
 Rated Current: 10A
 Wiring Capacity: 0.5-2.5mm²

Materials
 Insulation Materials: PA66, Flame Retardant, White
 Contact: SUS 301, Nickel Plated


Number of poles: 2~12 poles
 Strip length : 7mm
 Operating Temperature: 105°C



ORDER INFORMATION

L-KLS2- 238E - XXP - 9

Color code: 9- White
 Poles: 2~12 Poles
 PUSH wire Connectors Type
 RoHS

GENERAL TOLERANCE		ANGLE TOLERANCE	PROJECTION	Description:
X. ±0.60	±2°	UNITS	mm	PUSH wire Connector
.X ±0.38		SHEET SIZE	A4	
.XX ±0.25		KLS P/N:		L-KLS2-238E-XXP-9
Draw: Daniel	2018-08-27	 NingBo KLS ELECTRONIC CO.,LTD.		
Check: Daniel	2018-08-27			
SCALE	SHEET			