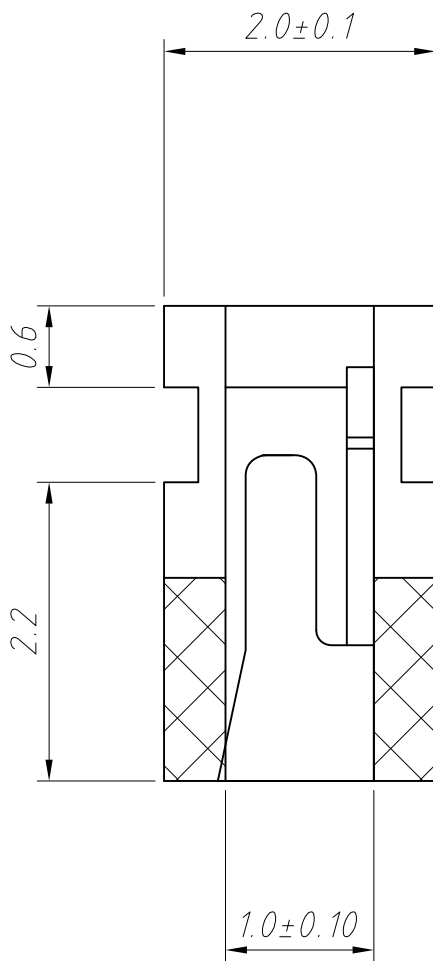
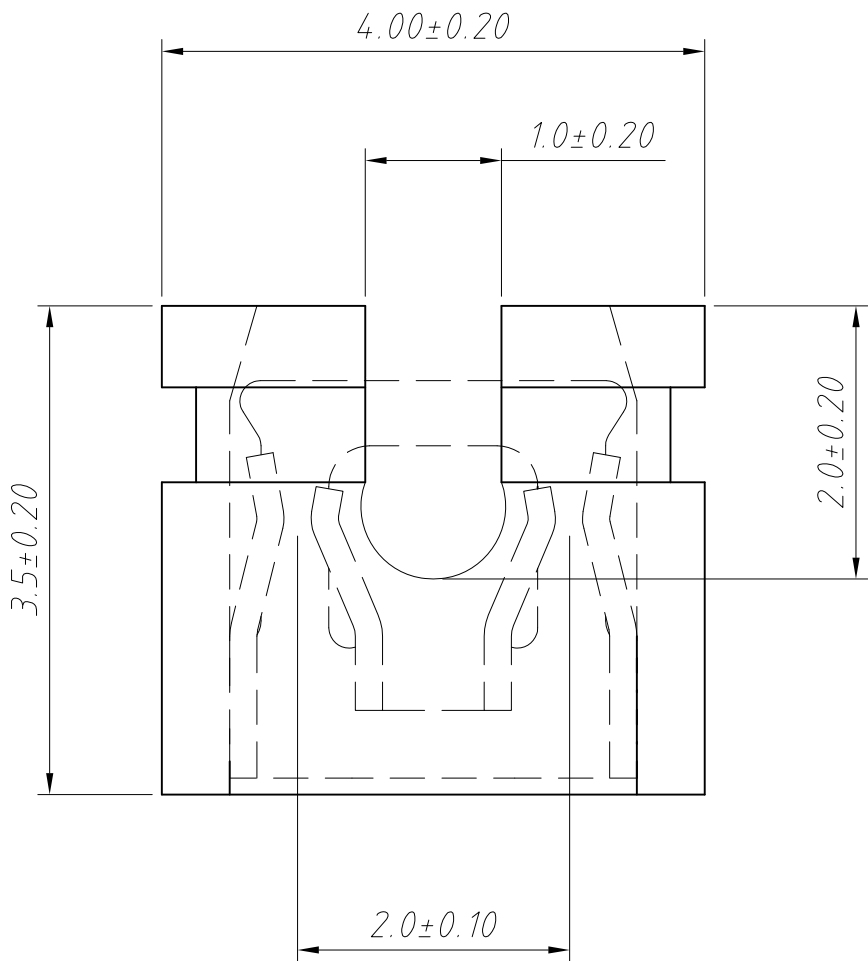


1
RoHS Compliance



Material:
 Standard:PBT
 Contact:Brass
 Contact Plating:Au Over Ni
 Insulator:Polyester,UL94V-0

Electrical Characteristics:
 Rated Current: 1.5AMP
 Contact Resistance: 20mΩ Max
 Withstand Voltage: 500V AC/DC
 Insulator Resistance: 1000MΩ Min

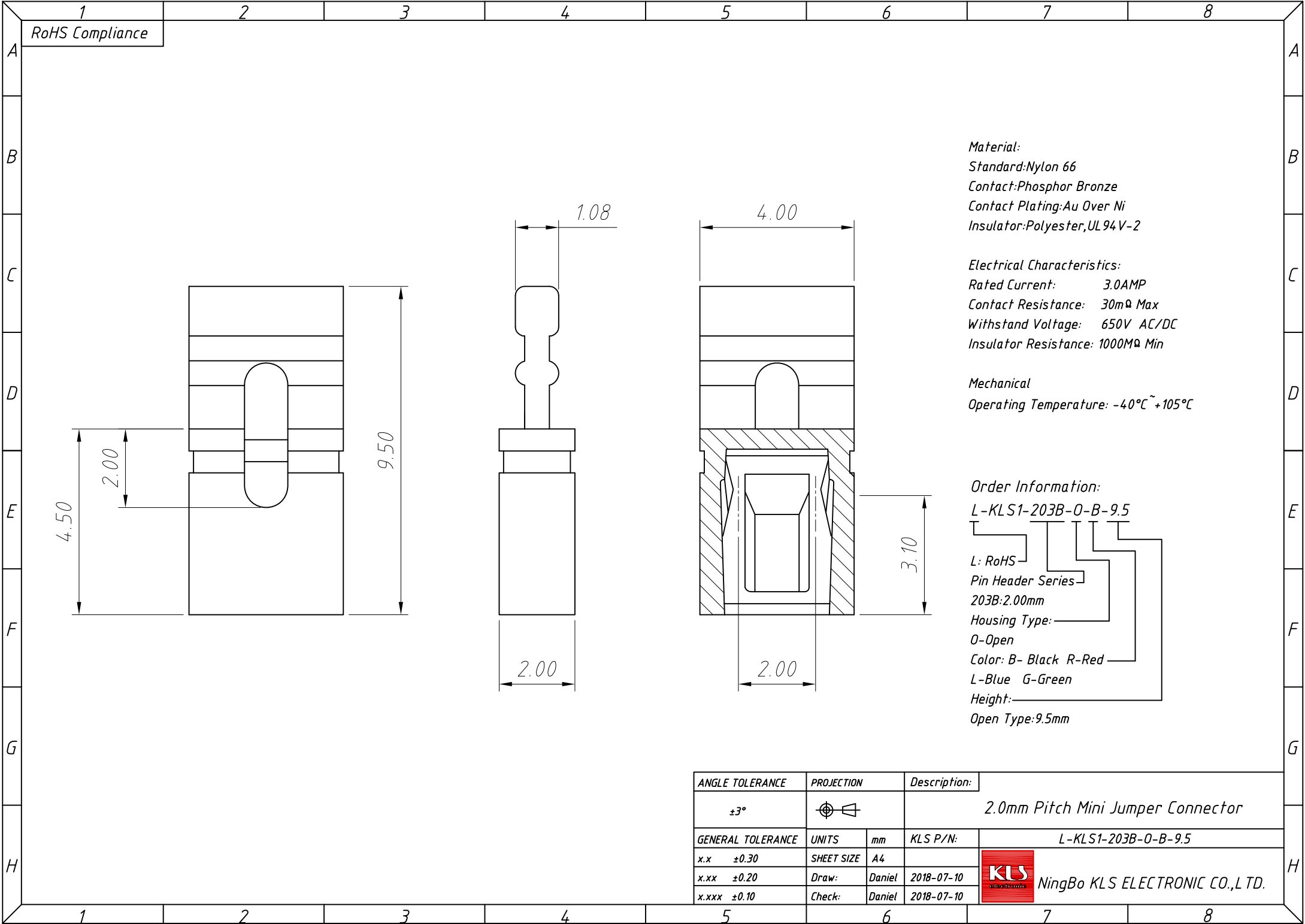
Mechanical
 Operating Temperature: -40°C ~ +105°C
 Max.Processing Temp:180°C for 30-60 seconds
 (200°C for 10 seconds)

Order Information:
 L-KLS1-203B-0-B-3.5

ANGLE TOLERANCE		PROJECTION		Description:	
±3°				2.0mm Pitch Mini Jumper Connector	
GENERAL TOLERANCE		UNITS	mm	KLS P/N:	
x.x	±0.30	SHEET SIZE	A4	L-KLS1-203B-0-B-3.5	
x.xx	±0.20	Draw:	Daniel	2018-07-10	
x.xxx	±0.10	Check:	Daniel	2018-07-10	

NingBo KLS ELECTRONIC CO.,LTD.

1
RoHS Compliance



Material:
 Standard:Nylon 66
 Contact:Phosphor Bronze
 Contact Plating:Au Over Ni
 Insulator:Polyester,UL 94V-2

Electrical Characteristics:
 Rated Current: 3.0AMP
 Contact Resistance: 30mΩ Max
 Withstand Voltage: 650V AC/DC
 Insulator Resistance: 1000MΩ Min

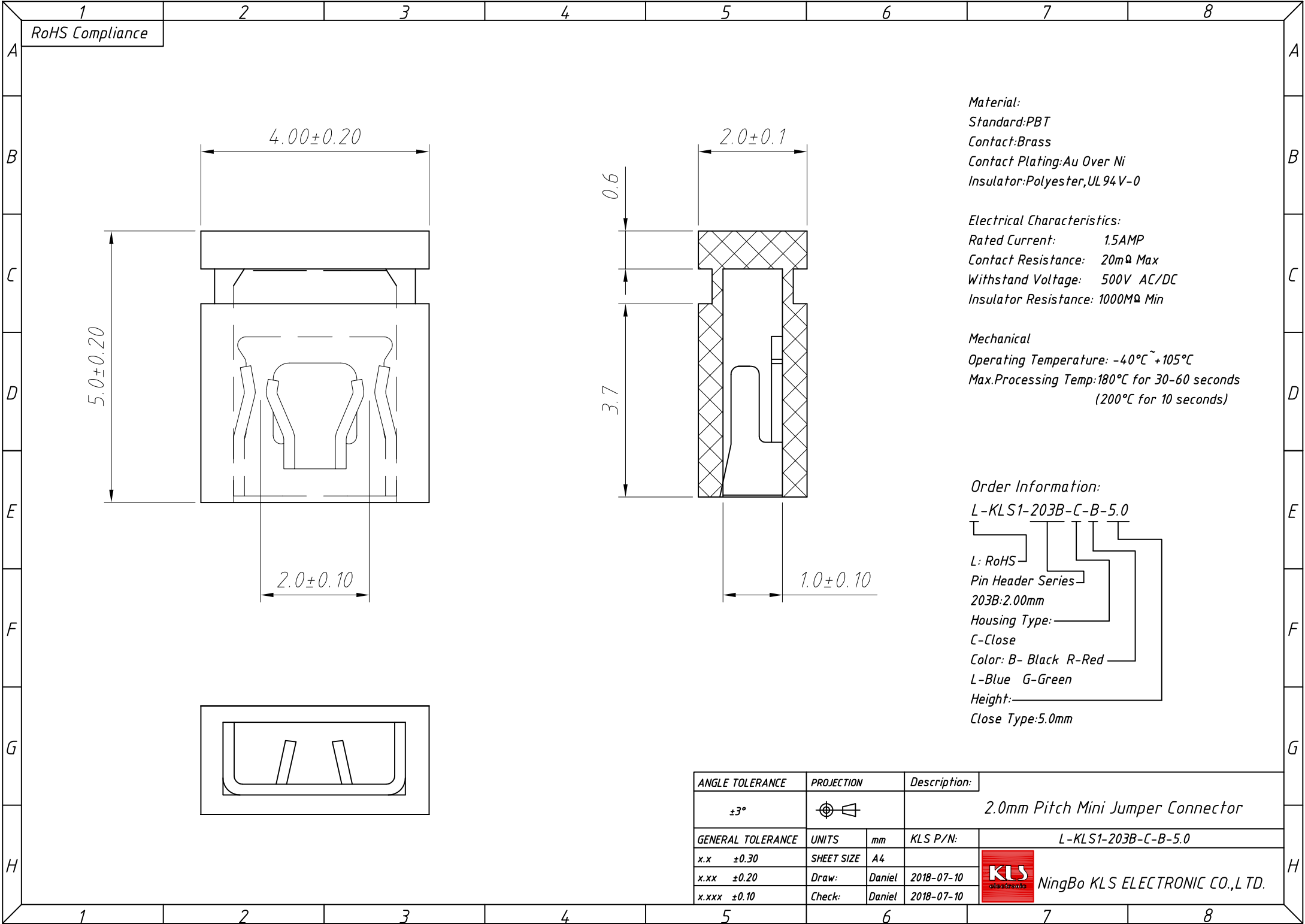
Mechanical
 Operating Temperature: -40°C ~ +105°C

Order Information:
 L-KLS1-203B-0-B-9.5

L: RoHS
 Pin Header Series
 203B:2.00mm
 Housing Type:
 0-Open
 Color: B- Black R-Red
 L-Blue G-Green
 Height:
 Open Type:9.5mm

ANGLE TOLERANCE	PROJECTION	Description:
±3°		2.0mm Pitch Mini Jumper Connector
GENERAL TOLERANCE	UNITS	mm
x.x ±0.30	SHEET SIZE	A4
x.xx ±0.20	Draw:	Daniel 2018-07-10
x.xxx ±0.10	Check:	Daniel 2018-07-10
		KLS NingBo KLS ELECTRONIC CO.,L TD.

1
RoHS Compliance



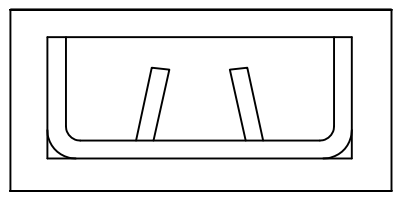
Material:
 Standard:PBT
 Contact:Brass
 Contact Plating:Au Over Ni
 Insulator:Polyester,UL94V-0

Electrical Characteristics:
 Rated Current: 1.5AMP
 Contact Resistance: 20mΩ Max
 Withstand Voltage: 500V AC/DC
 Insulator Resistance: 1000MΩ Min

Mechanical
 Operating Temperature: -40°C ~ +105°C
 Max.Processing Temp:180°C for 30-60 seconds
 (200°C for 10 seconds)

Order Information:
 L-KLS1-203B-C-B-5.0

L: RoHS
 Pin Header Series
 203B:2.00mm
 Housing Type:
 C-Close
 Color: B- Black R-Red
 L-Blue G-Green
 Height:
 Close Type:5.0mm



ANGLE TOLERANCE	PROJECTION	Description:	
±3°		2.0mm Pitch Mini Jumper Connector	
GENERAL TOLERANCE	UNITS	mm	KLS P/N:
x.x ±0.30	SHEET SIZE	A4	L-KLS1-203B-C-B-5.0
x.xx ±0.20	Draw:	Daniel	2018-07-10
x.xxx ±0.10	Check:	Daniel	2018-07-10

