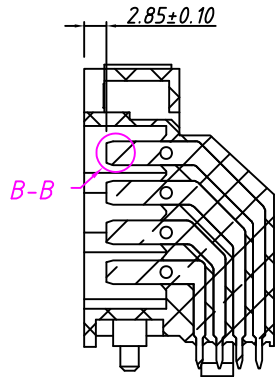
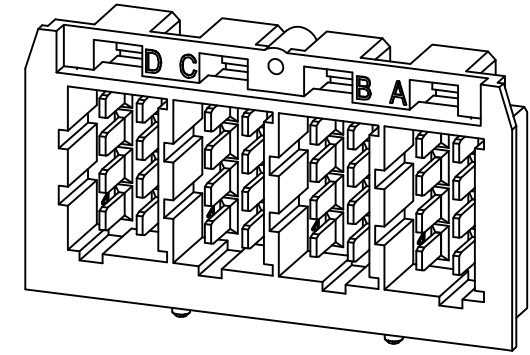
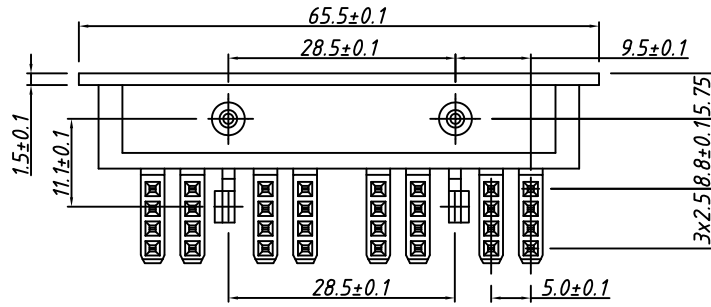
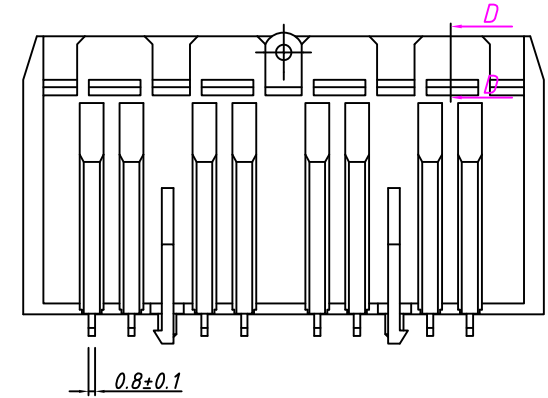
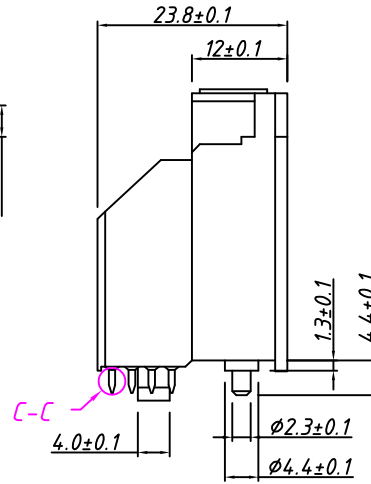
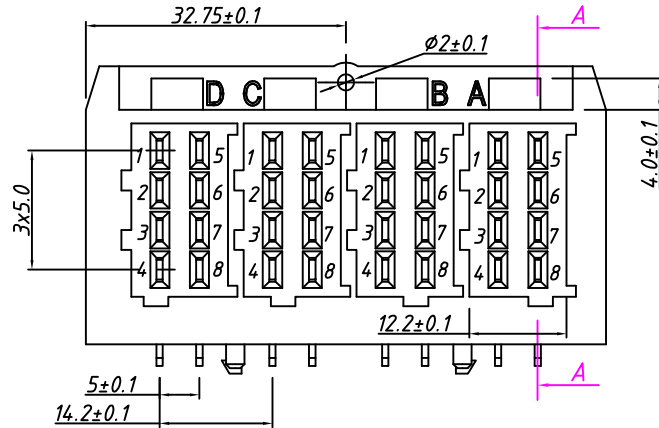


1 RoHS Compliance

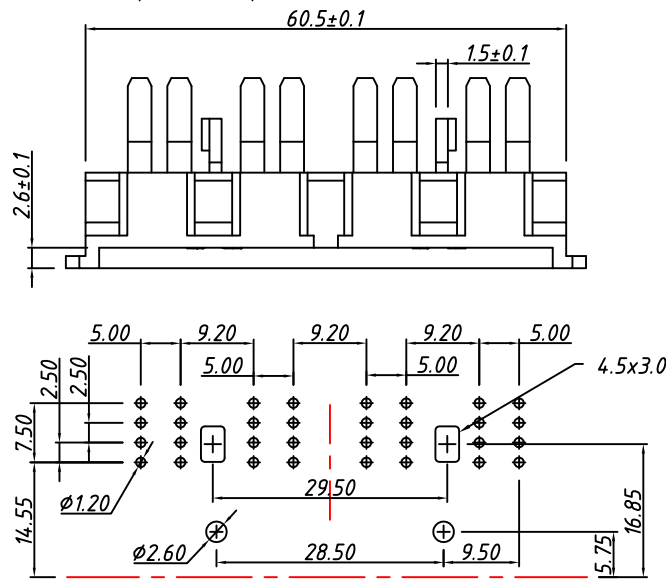
Note:
Material:
Housing: PA66,Black
Contacts: Brass,Tin Plating



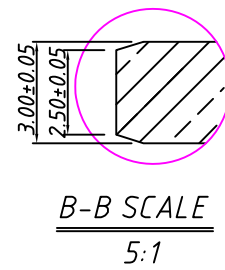
A-A SECTION



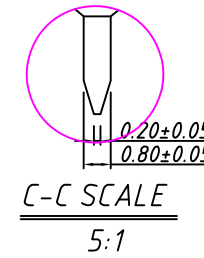
Order Information:
L-KLS13-CA003-32P-R T B
RoHS
Pated:
T- Tin Plating
Post Type:
B- Pitch 28.5mm



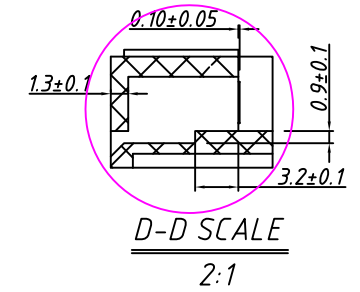
PCB LAYOUT




B-B SCALE
5:1



C-C SCALE
5:1



D-D SCALE
2:1

GENERAL TOLERANCE	PROJECTION	Symbol	Description:
X. ±0.25	UNITS	mm	TACHOGRAPH 32P
.XX ±0.15	SCALE	1:1	Male Jacks, Post Pitch 28.5mm
.XXX ±0.10	Draw:	Daniel	KLS P/N: L-KLS13-CA003-32P-RTB
ANGLE TOLERANCE	Check :	Daniel	 NingBo KLS ELECTRONIC CO.,L TD.
X. ±2°	Date	2020-03-02	
.X ±1°	SHEET	1 OF 1	

