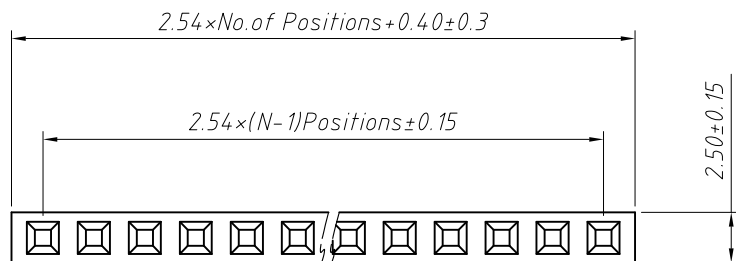
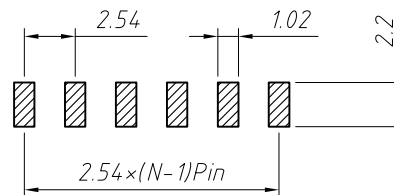


1
RoHS Compliance



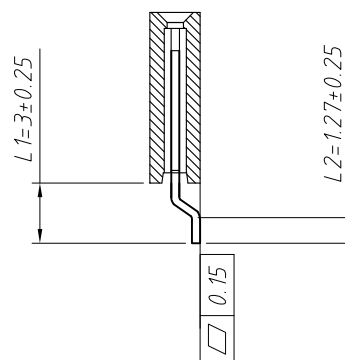
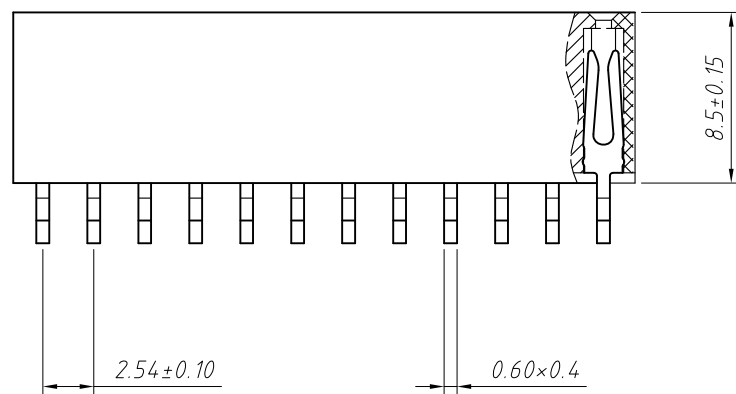
Recommended P.C.B Layout (Top Side)
(PCB BOARD TOLERANCE ± 0.05)



Material:
Standard: PA6T
Contact: Brass
Plating: Au or Sn Over Ni
Insulator: Polyester, UL 94V-0

Electrical Characteristics:
Rated Current: 3.0AMP
Contact Resistance: 20mΩ Max
Withstand Voltage: 1000V AC/DC
Insulator Resistance: 1000MΩ Min

Mechanical
Operating Temperature: -40°C ~ +105°C
Max. Processing Temp: 230°C for 30-60 seconds (260°C for 10 seconds)



Order Information:

L-KLS1-208G-1-XX-TR-L1xL2-B-R

L: RoHS
Pin Header Series
208G: 2.54mm
Per Row: Single layer
Pin: No. of Pins (1x4.0)
Type: Horizontal SMT
Size: L1xL2
Material: A=PBT B=PA6T C=LCP
Packing:
A=Tray T=Tube M=Reel+Mylar
P=Tube+Cap R=Reel+Cap

Dimension antitheses list (mm)

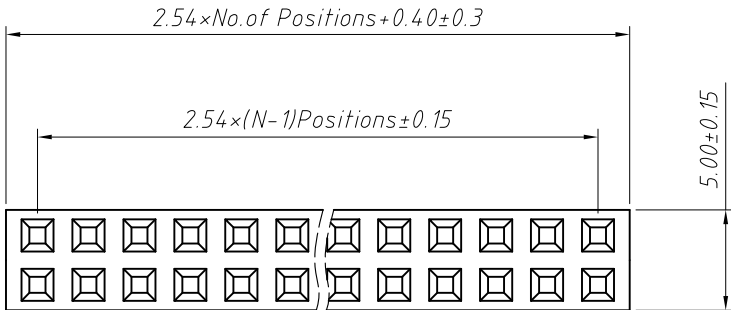
ITEM	L1	L2	Plastic Height
Standard	3.00	1.27	8.50
Nonstandard	---	---	---

ANGLE TOLERANCE	PROJECTION	Description:
±3°		2.54x8.5mm Female Header Single layer, Horizontal SMT, 1xN Pin
GENERAL TOLERANCE	UNITS	mm
x.x ±0.30	SHEET SIZE	A4
x.xx ±0.20	Draw:	Daniel 2018-07-10
x.xxx ±0.10	Check:	Daniel 2018-07-10

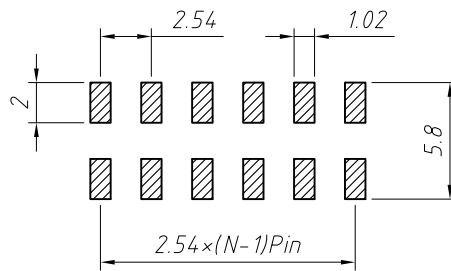


NingBo KLS ELECTRONIC CO.,LTD.

1
RoHS Compliance



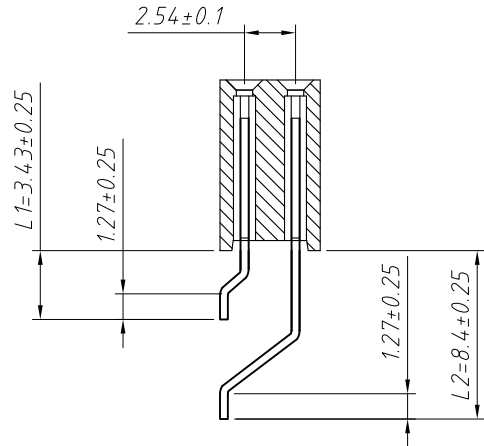
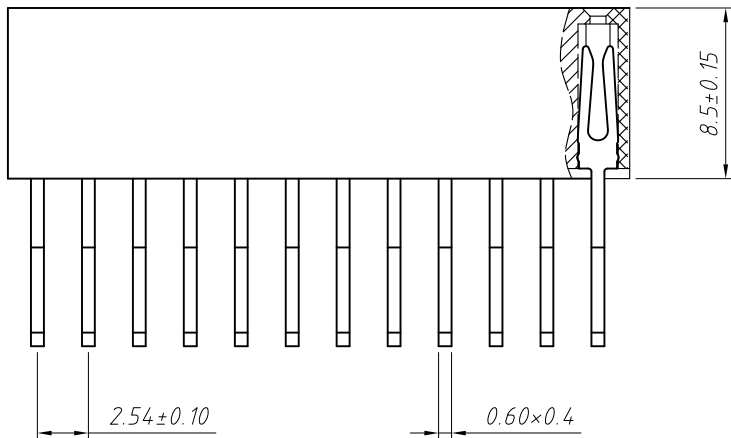
Recommended P.C.B Layout (Top Side)
(PCB BOARD TOLERANCE ± 0.05)



Material:
Standard: PA6T
Contact: Brass
Plating: Au or Sn Over Ni
Insulator: Polyester, UL 94 V-0

Electrical Characteristics:
Rated Current: 3.0AMP
Contact Resistance: 20mΩ Max
Withstand Voltage: 1000V AC/DC
Insulator Resistance: 1000MΩ Min

Mechanical
Operating Temperature: -40°C ~ +105°C
Max. Processing Temp: 230°C for 30-60 seconds (260°C for 10 seconds)



Order Information:
L-KLS1-208G-2-XX-TR-L1xL2-B-R

L: RoHS
Pin Header Series
208G: 2.54mm
Per Row: Double layer
Pin: No. of Pins (2x4.0)
Type: Horizontal SMT
Size: L1xL2
Material: A=PBT B=PA6T C=LCP
Packing:
A=Tray T=Tube M=Reel+Mylar
P=Tube+Cap R=Reel+Cap

Dimension antitheses list (mm)			
ITEM	L1	L2	Plastic Height
Standard	3.43	8.4	8.50
Nonstandard	---	---	---

ANGLE TOLERANCE	PROJECTION	Description:	2.54x8.5mm Female Header Double layer, Horizontal SMT, 2xN Pin
±3°			
GENERAL TOLERANCE	UNITS	mm	KLS P/N:
x.x ±0.30	SHEET SIZE	A4	L-KLS1-208G-2-XX-TR-L1xL2-B-R
x.xx ±0.20	Draw:	Daniel	2018-07-10
x.xxx ±0.10	Check:	Daniel	2018-07-10

NingBo KLS ELECTRONIC CO., L TD.