

**PCB LAYOUT**  
 Tol: ±0.05mm

**Material:**  
 Housing: PC  
 Flammability Rating : UL94V-2  
 Contacts: Phosphor Bronze T=0.50mm  
 Plating: TIN Plating

**Electrical:**  
 Voltage Rating: 125VAC  
 Current Rating: 1.5A  
 Contact Resistance: 30mΩ Max.  
 Insulation Resistance: 500MΩ Min. at 500V dc  
 Dielectric Strength: 1000VAC Rms 50Hz, 1 Min.  
 Durability: 750 cycles Min.  
 Operation Temperature: -40°C ~ +85°C

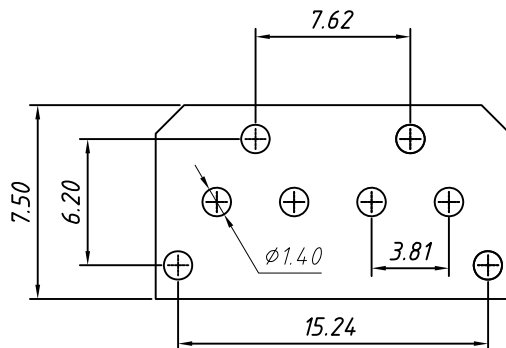
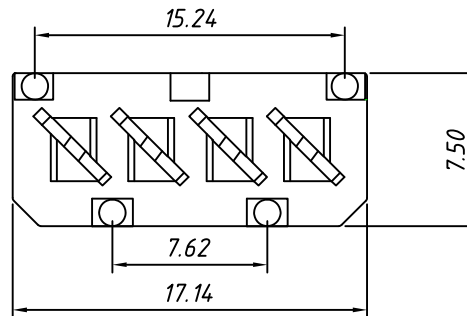
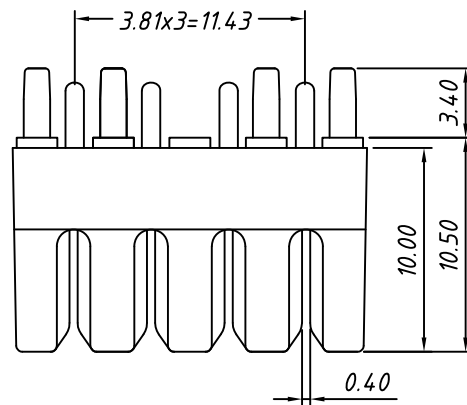
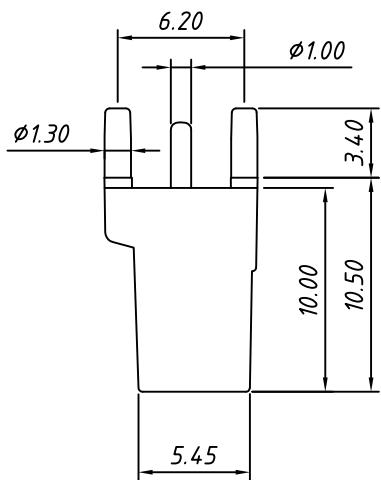
**Order Information**  
 L-KLS12-CM-05 -XX

RoHS

Contacts:

- 02- 1 Pair IDC Connector
- 04- 2 Pair IDC Connector
- 08- 4 Pair IDC Connector

| GENERAL TOLERANCE | PROJECTION |            | Description:                   |
|-------------------|------------|------------|--------------------------------|
| .X ±0.30          | UNITS      | mm         | Krone IDC Block PCB-PLUS       |
| .X ±0.20          | SCALE      | 1:1        |                                |
| .XX ±0.15         | Draw by:   | Daniel     |                                |
| ANGLE TOLERANCE   | Check by:  | Daniel     | KLS P/N: L-KLS12-CM-05-08      |
| ±1°               | Date       | 2020-04-20 | NingBo KLS ELECTRONIC CO.,LTD. |
|                   | SHEET      | 1 OF 1     |                                |



**PCB LAYOUT**  
Tol: ±0.05mm

**Material:**  
Housing: PC  
Flammability Rating : UL94V-2  
Contacts: Phosphor Bronze T=0.50mm  
Plating: TIN Plating

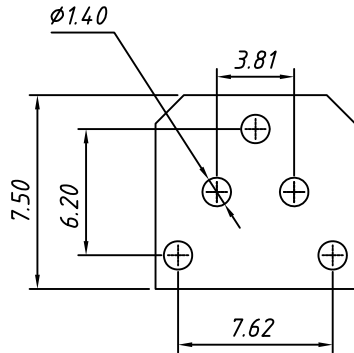
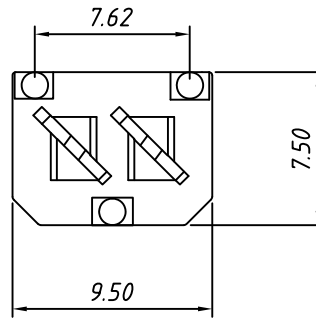
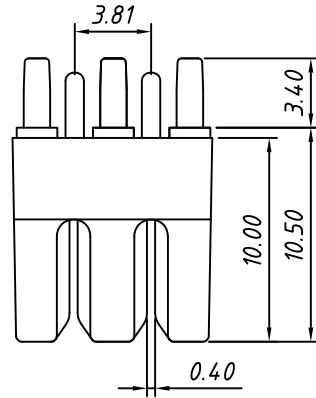
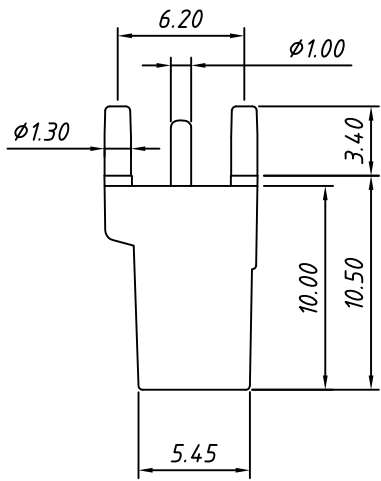
**Electrical:**  
Voltage Rating: 125VAC  
Current Rating: 1.5A  
Contact Resistance: 30mΩ Max.  
Insulation Resistance: 500MΩ Min. at 500V dc  
Dielectric Strength: 1000VAC Rms 50Hz, 1 Min.  
Durability: 750 cycles Min.  
Operation Temperature: -40°C ~ +85°C

**Order Information**

L-KLS12-CM-05 -XX

RoHS  
Contacts:  
02- 1 Pair IDC Connector  
04- 2 Pair IDC Connector  
08- 4 Pair IDC Connector

| GENERAL TOLERANCE | PROJECTION |            | Description:                   |
|-------------------|------------|------------|--------------------------------|
| X. ±0.30          | UNITS      | mm         | Krone IDC Block PCB-PLUS       |
| .X ±0.20          | SCALE      | 1:1        |                                |
| .XX ±0.15         | Draw by:   | Daniel     |                                |
| ANGLE TOLERANCE   | Check by:  | Daniel     | KLS P/N: L-KLS12-CM-05-04      |
| ±1°               | Date       | 2020-04-20 | NingBo KLS ELECTRONIC CO.,LTD. |
|                   | SHEET      | 1 OF 1     |                                |



*PCB LAYOUT*  
Tol: ±0.05mm

Material:  
Housing: PC  
Flammability Rating : UL94V-2  
Contacts: Phosphor Bronze T=0.50mm  
Plating: TIN Plating

Electrical:  
Voltage Rating: 125VAC  
Current Rating: 1.5A  
Contact Resistance: 30mΩ Max.  
Insulation Resistance: 500MΩ Min. at 500V dc  
Dielectric Strength: 1000VAC Rms 50Hz, 1 Min.  
Durability: 750 cycles Min.  
Operation Temperature: -40°C ~ +85°C

Order Information

L-KLS12-CM-05 -XX

RoHS

Contacts:

- 02- 1 Pair IDC Connector
- 04- 2 Pair IDC Connector
- 08- 4 Pair IDC Connector

| GENERAL TOLERANCE | PROJECTION |            | Description:                   |
|-------------------|------------|------------|--------------------------------|
| X. ±0.30          | UNITS      | mm         | Krone IDC Block PCB-PLUS       |
| .X ±0.20          | SCALE      | 1:1        |                                |
| .XX ±0.15         | Draw by:   | Daniel     |                                |
| ANGLE TOLERANCE   | Check by:  | Daniel     | KLS P/N: L-KLS12-CM-05-02      |
| ±1°               | Date       | 2020-04-20 | NingBo KLS ELECTRONIC CO.,LTD. |
|                   | SHEET      | 1 OF 1     |                                |