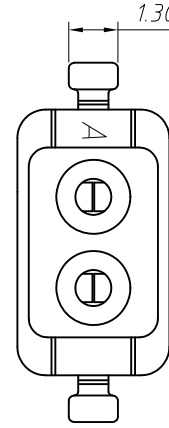
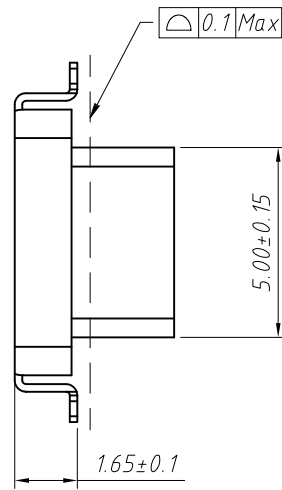
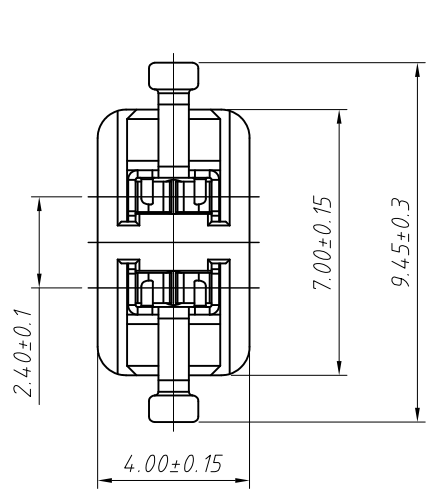
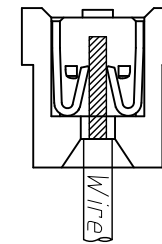
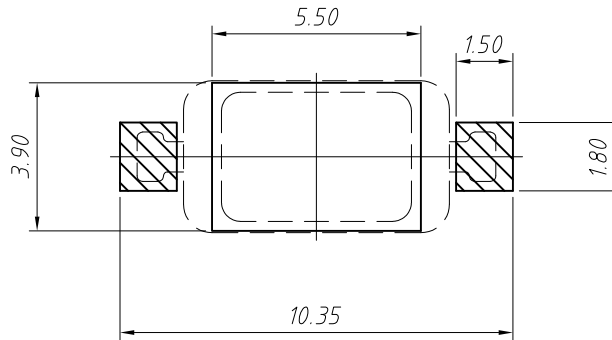
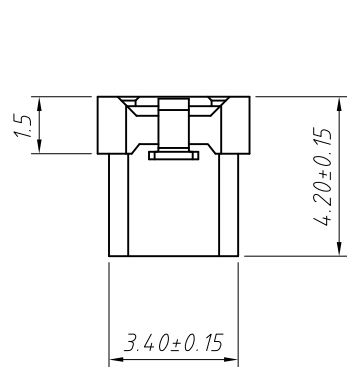


1
RoHS Compliant



Material:
Housing: LCP, UL 94 V-0, Beige/Natural
Contacts: Phosphor Bronze, Matte Sn-plated

Main Specifications
Poles: 02P
Contact Resistance: $\leq 20m\Omega$
Insulation Resistance: $\geq 1000M\Omega$
Rated Voltage: 275V AC DC
Rated Current: 1.0A AC DC
Withstanding Voltage: 1500V AC/minute
Temperature Range: $-40^{\circ}C \sim +120^{\circ}C$



Assembly Layout

Order Information

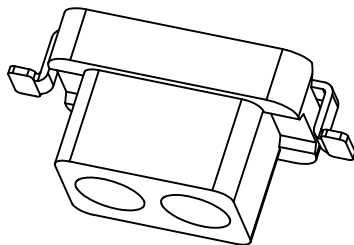
L-KLS2-L74AVF

Series No.

Pos. NO.

RoHS

Board Layout
General Tolerance: ± 0.05



GENERAL TOLERANCE		ANGLE TOLERANCE		PROJECTION	Description:	
X. ± 0.15		X. $\pm 5^{\circ}$		UNITS	2.5mm Pitch 180° Wafer SMT Type	
.X ± 0.03		.X $\pm 3^{\circ}$		SHEET SIZE		A4
.XX ± 0.05		.XX $\pm 2^{\circ}$		KLS P/N:		L-KLS2-L74AVF

Draw by:	Jenny	Date:	2018-03-10
Check by:		Date:	2018-03-10
SCALE		SHEET	1 OF 1



NingBo KLS ELECTRONIC CO.,LTD.