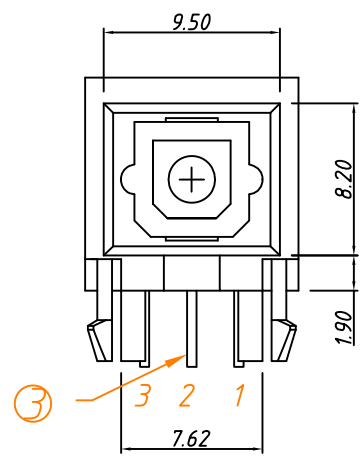
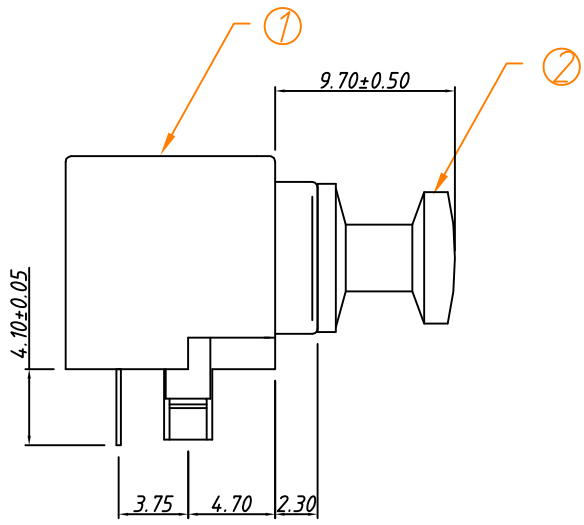
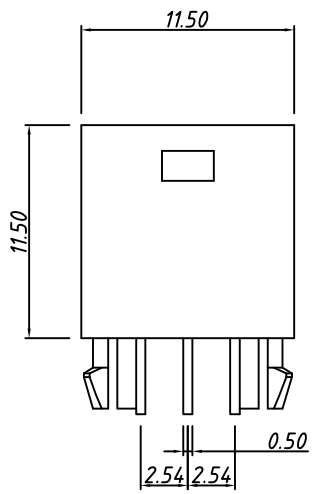
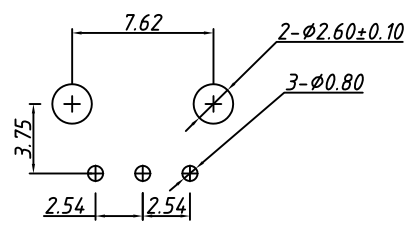


1  
RoHS Compliance



Pin Function  
 1-  $V_{DD}$   
 2-  $GND$   
 3-  $V_{IR}$



P.C.B LAYOUT  
 TOLERANCE:±0.30

Order information:  
 L-KLS1-SJ T -006-XXX  
 L: RoHS  
 T: Transmitter  
 XXX: Frequency  
 96K- 96KHz  
 192K- 192KHz

3	IR		1	Transmitter
2	PLUG	PBT	1	
1	Body	PBT	1	
ITEM	PART NAME	Material	Q'TY	REMARK

PROJECTION		Description:
UNITS	mm	Transmitters FIBER OPTIC Jacks
SCALE	1:1	
Draw:	Daniel	KLS P/N: L-KLS1-SJT-006-XXX
Check :	Daniel	NingBo KLS ELECTRONIC CO.,L TD.
Date	2020-03-02	
TOLERANCE	±0.20	