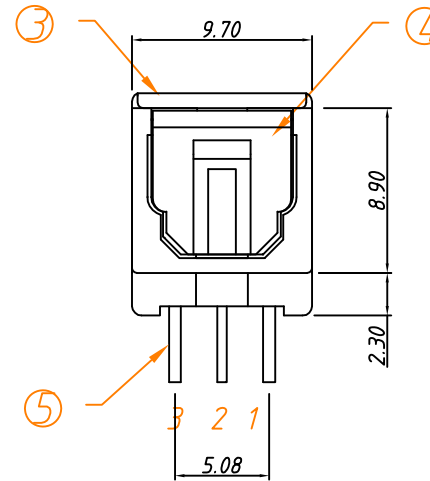
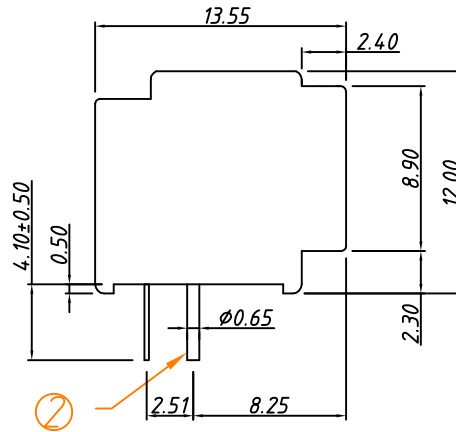
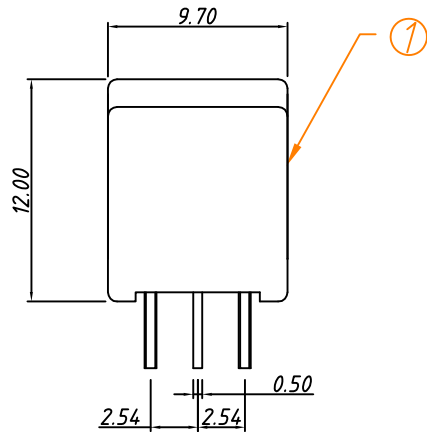
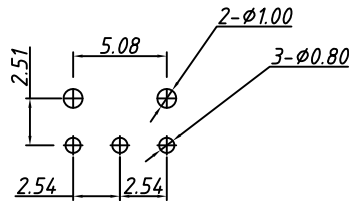


1 RoHS Compliance



Pin Function

- 1- Vout
- 2- GND
- 3- Vcc



P.C.B LAYOUT
TOLERANCE:±0.30

Order information:

L-KLS1-SJ R -015-XXX

L: RoHS

R:Receiver

XXX: Frequency

96K- 96KHz

192K- 192KHz

| 5 | IR | | 1 | Receiving |
|------|-----------|----------------|------|-----------|
| 4 | Shutter | PBT | 1 | |
| 3 | Spring | SUS 304 | 1 | |
| 2 | Pin | CP, Tin plated | 2 | |
| 1 | Body | PBT | 1 | |
| ITEM | PART NAME | Material | Q'TY | REMARK |

| | | |
|------------|------------|---------------------------------|
| PROJECTION | | Description: |
| UNITS | mm | Receiver FIBER OPTIC Jacks |
| SCALE | 1:1 | |
| Draw: | Daniel | KLS P/N: L-KLS1-SJR-015-XXX |
| Check : | Daniel | NingBo KLS ELECTRONIC CO.,L TD. |
| Date | 2020-03-02 | |
| TOLERANCE | ±0.20 | |