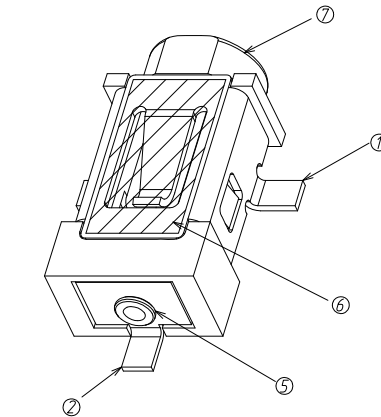
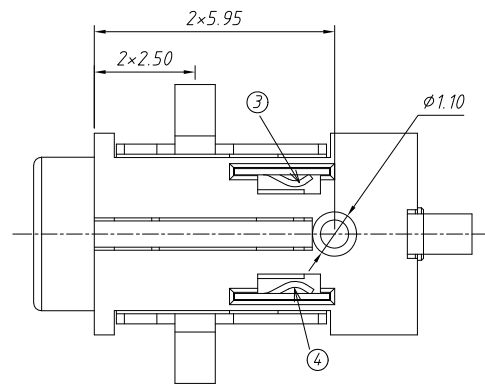
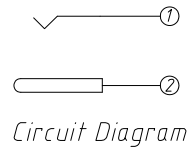


PCB LAYOUT BOTTM VIEW



SPECIFICATION

Rated Load:DC 30V 0.5A
 Contact resistance:30mΩ, max
 Insulation resistance:100MΩ, min
 Withstand Voltage:AC500V
 Actuating Force:3-20N
 Life:5000 cycles
 Operating Temperature:-30°C-70°C

NO.	Description	QTY	Material	Plating
1	Contact A	1	Phosphor Bronze	Gold Plated
2	Contact B	1	Brass	Gold Plated
3	Contact C	1	Stainless Steel	---
4	Contact D	1	Stainless Steel	---
5	Contact E	1	Phosphor Bronze	Gold Plated
6	Housing	1	HTN	---
7	Mylar	1	---	---

GENERAL TOLERANCE	PROJECTION		Description:
X. ±0.50	UNITS	mm	DC POWER Jack SMT HORIZONTAL
.X ±0.25	SCALE	1:1	
.XX ±0.10	Draw by:	Jenny	
ANGLE TOLERANCE	Check by:		KLS P/N: L-KLS1-TDC-033
X. ±5°	Date	2019-03-01	NingBo KLS ELECTRONIC CO.,L TD.
.X ±3°	SHEET	1 OF 1	
.XX ±2°			