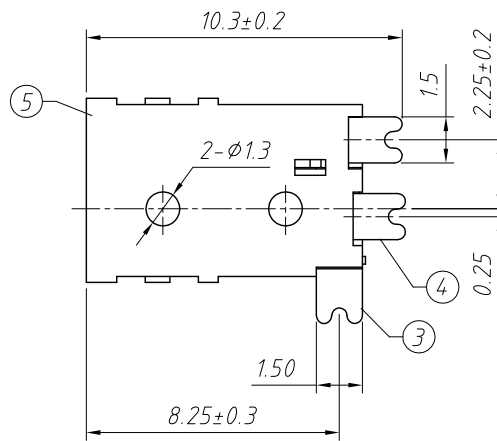
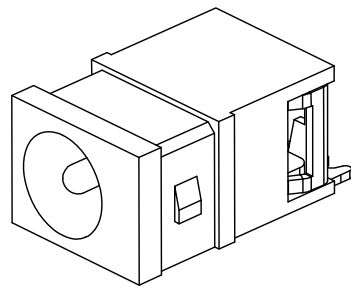
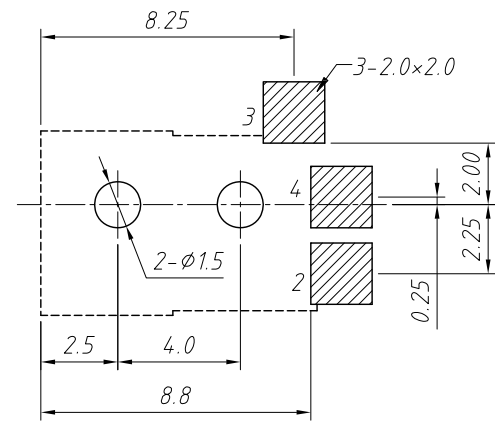
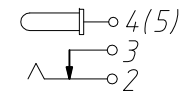


PCB LAYOUT TOP VIEW



PIN	φ1.0	φ1.3
APPD		

SCHEMATIC



SPECIFICATION

Rated Load:DC 30V 1A

Contact resistance:30mΩ, max

Insulation resistance:100MΩ, min

Withstand Voltage:AC500V

Actuating Force:3-20N

Life:5000 cycles

Operating Temperature:-30°C-70°C



RECOMMENDED PLUG

NO.	Description	QTY	Material	Plating
1	Housing	1	PA9T	---
2	Spring	1	Bronze	Ag-Plating
3	Curve Piece	1	Brass	Ag-Plating
4	Contact Foot	1	Brass	Ag-Plating
5	PIN 1	1	Brass	Ni-Plating

GENERAL TOLERANCE	PROJECTION	Description:
X. ±0.50	UNITS	mm
.X ±0.25	SCALE	1:1
.XX ±0.10	Draw by:	Jenny
ANGLE TOLERANCE	Check by:	
X. ±5°	Date	2019-03-01
.X ±3°	SHEET	1 OF 1
.XX ±2°		



NingBo KLS ELECTRONIC CO.,L TD.

DC POWER Jack SMT HORIZONTAL

KLS P/N: L-KLS1-TDC-022