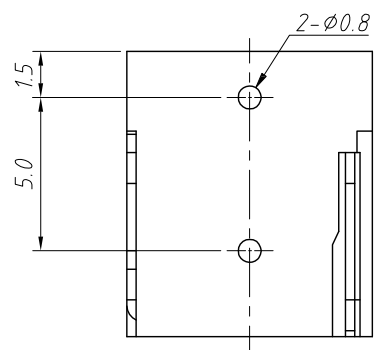
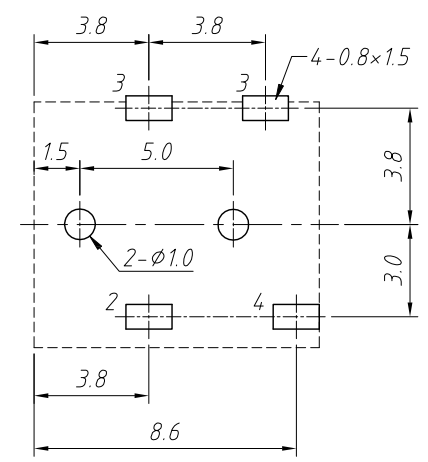
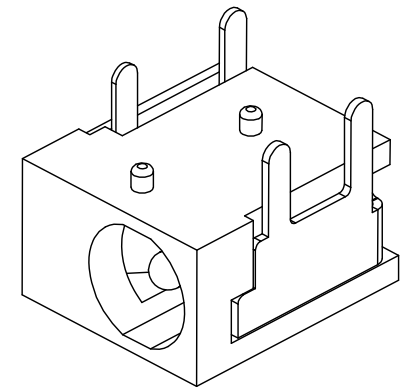
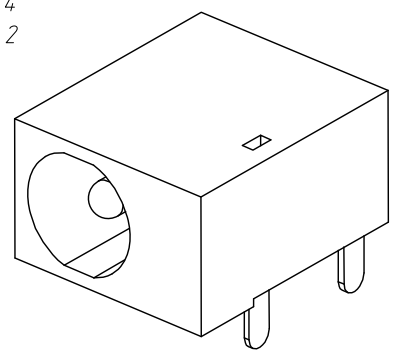
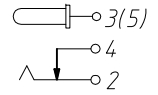


PCB Layout Top View



SPECIFICATION
 Rated Load:DC 30V 0.5A
 Contact resistance:30mΩ, max
 Insulation resistance:100MΩ, min
 Withstand Voltage:AC500V
 Actuating Force:3-20N
 Life:5000 cycles
 Operating Temperature:-30°C-70°C

SCHEMATIC



PIN	φ1.0	φ1.3
APPD		

NO.	Description	QTY	Material	Plating
1	Housing	1	PBT	---
2	Spring	1	SUS301	Ag-Plating
3	Curve Piece	1	Brass	Ag-Plating
4	Curve Piece	1	Brass	Ag-Plating
5	PIN	1	Brass	Ni-Plating

GENERAL TOLERANCE	PROJECTION		Description:
X. ±0.50	UNITS	mm	DC POWER Jack DIP
.X ±0.25	SCALE	1:1	
.XX ±0.10	Draw by:	Jenny	KLS P/N: L-KLS1-DC-048
ANGLE TOLERANCE	Check by:		NingBo KLS ELECTRONIC CO.,L TD.
X. ±5°	Date	2019-03-01	
.X ±3°	SHEET	1 OF 1	