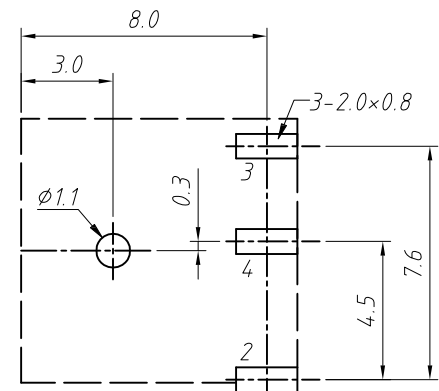
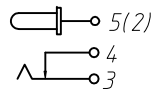


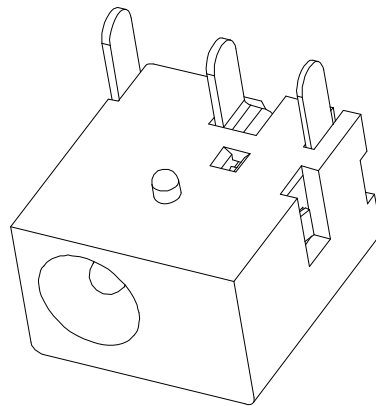
PCB Layout Top View



SCHEMATIC



| | | |
|------|------|------|
| PIN | φ1.0 | φ1.3 |
| APPD | | |



SPECIFICATION

Rated Load:DC 30V 1.0A

Contact resistance:30mΩ, max

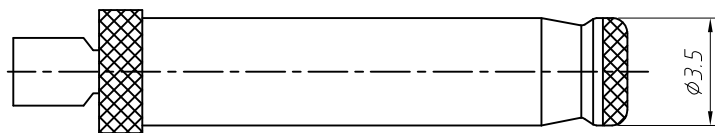
Insulation resistance:100MΩ, min

Withstand Voltage:AC500V

Actuating Force:3-20N


Life:5000 cycles

Operating Temperature:-30°C-70°C



RECOMMENDED PLUG

| NO. | Description | QTY | Material | Plating |
|-----|-------------|-----|----------|------------|
| 1 | Housing | 1 | PBT | --- |
| 2 | Flat Piece | 1 | Brass | Sn-Plating |
| 3 | Spring | 1 | SUS303 | Sn-Plating |
| 4 | Curve Piece | 1 | Brass | Sn-Plating |
| 5 | PIN | 1 | Brass | Ni-Plating |

| GENERAL TOLERANCE | | PROJECTION | Description: | | | |
|-------------------|-------|------------|---|--|--------|--|
| X. | ±0.50 | UNITS | DC POWER Jack DIP | | | |
| .X | ±0.25 | SCALE | | | mm | |
| .XX | ±0.10 | Draw by: | | | Jenny | |
| ANGLE TOLERANCE | | Check by: | KLS P/N: L-KLS1-DC-038 | | | |
| X. | ±5° | Date |  NingBo KLS ELECTRONIC CO.,L TD. | | | |
| .X | ±3° | 2019-03-01 | | | | |
| .XX | ±2° | SHEET | | | 1 OF 1 | |