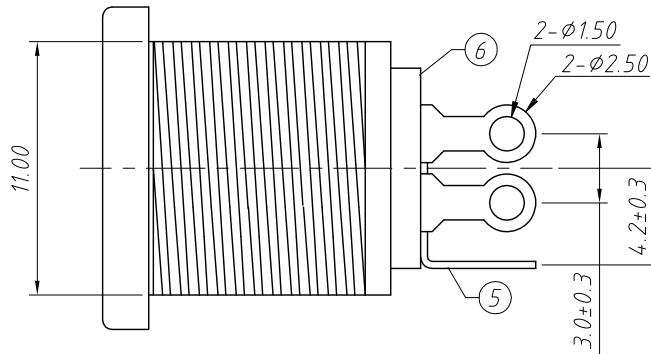
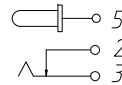


RECOMMENDED PLUG

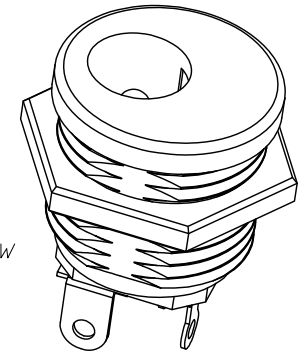
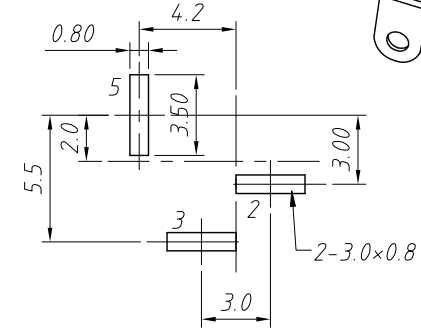
PIN	$\phi 2.0$	$\phi 2.5$
APPD		



SCHEMATIC



PCB Layout Top View



SPECIFICATION

Rated Load:DC 30V 1.0A
 Contact resistance:30m Ω , max
 Insulation resistance:100M Ω , min
 Withstand Voltage:AC500V
 Actuating Force:3-20N
 Life:5000 cycles
 Operating Temperature:-30°C-70°C

NO.	Description	QTY	Material	Plating
1	Housing	1	PBT	---
2	Flat Piece	1	Brass	Sn-Plating
3	Spring	1	Bronze	Sn-Plating
4	PIN	1	Brass	Ni-Plating
5	Contact Foot	1	Brass	Sn-Plating
6	Cover	1	PF	---

GENERAL TOLERANCE	PROJECTION		Description:
.X ± 0.50	UNITS	mm	DC POWER Jack DIP
.X ± 0.25	SCALE	1:1	
.XX ± 0.10	Draw by:	Jenny	KLS P/N: L-KLS1-DC-022B
ANGLE TOLERANCE	Check by:		NingBo KLS ELECTRONIC CO.,L TD.
.X $\pm 5^\circ$	Date	2019-03-01	
.X $\pm 3^\circ$	SHEET	1 OF 1	