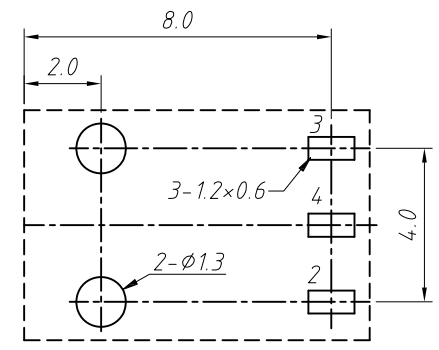
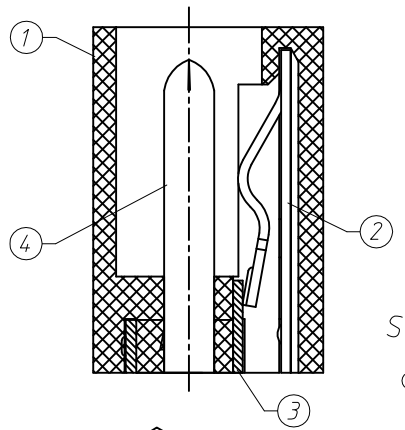


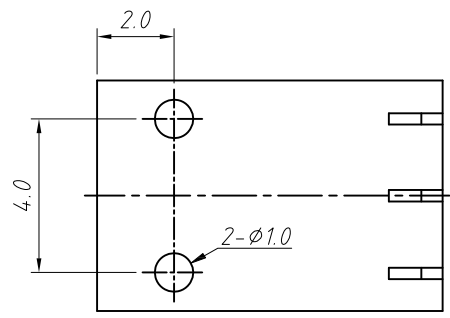
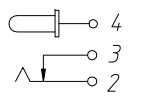
PCB Layout Top View



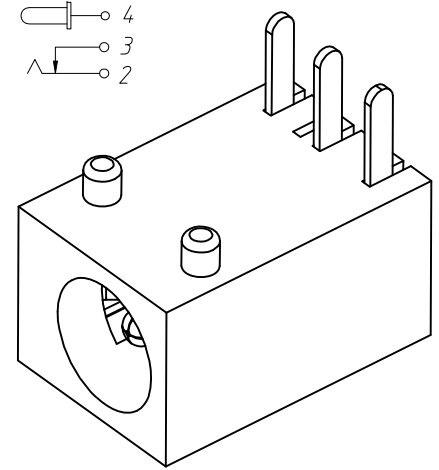
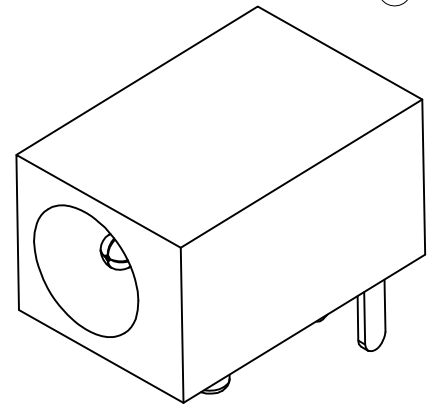
PIN	Ø1.0	Ø1.3
APPD		




SCHEMATIC



SPECIFICATION
 Rated Load:DC 30V 1.0A
 Contact resistance:30mΩ, max
 Insulation resistance:100MΩ, min
 Withstand Voltage:AC500V
 Actuating Force:3-20N
 Life:5000 cycles
 Operating Temperature:-30°C-70°C



NO.	Description	QTY	Material	Plating
4	PIN	1	Brass	Ag-Plating
3	Curve Piece	1	Brass	Ag-Plating
2	Spring	1	SUS301	Ag-Plating
1	Housing	1	PA9T	---

GENERAL TOLERANCE	PROJECTION	Description:
X. ±0.50	UNITS	DC POWER Jack DIP
.X ±0.25	SCALE	
.XX ±0.10	Draw by: Jenny	
ANGLE TOLERANCE	Check by:	KLS P/N: L-KLS1-DC-008
X. ±5°	Date	 NingBo KLS ELECTRONIC CO.,L TD.
.X ±3°	2019-03-01	
.XX ±2°	SHEET	

KLS NingBo KLS ELECTRONIC CO.,L TD.