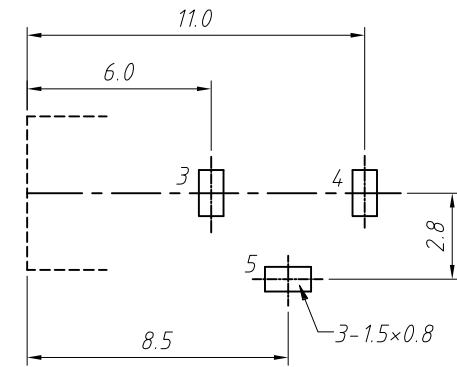
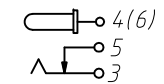


PCB LAYOUT TOP VIEW

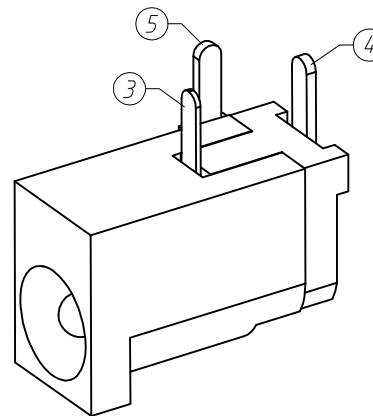
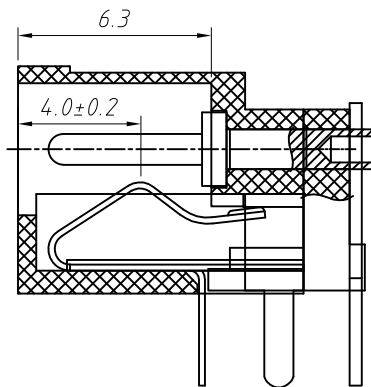


SCHEMATIC

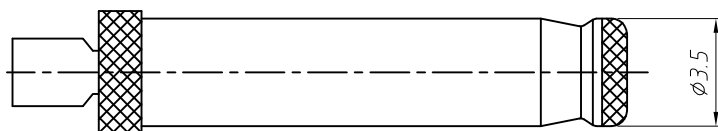


**SPECIFICATION**

Rated Load:DC 30V 1.0A  
 Contact resistance:30mΩ, max  
 Insulation resistance:100MΩ, min  
 Withstand Voltage:AC500V  
 Actuating Force:3-20N  
 Life:5000 cycles  
 Operating Temperature:-30°C-70°C




PIN	φ1.0	φ1.3	φ1.65
APPD			



RECOMMENDED PLUG

NO.	Description	QTY	Material	Plating
1	Housing	1	PBT	---
2	Cover	1	PBT	---
3	Spring	1	Bromze	Sn-Plating
4	Flat Piece	1	Brass	Sn-Plating
5	Curve Piece	1	Brass	Sn-Plating
6	PIN	1	Brass	Ni-Plating

GENERAL TOLERANCE	PROJECTION	Symbol	Description:
X. ±0.50	UNITS	mm	DC POWER Jack DIP
.X ±0.25	SCALE	1:1	
.XX ±0.10	Draw by:	Jenny	KLS P/N: L-KLS1-DC-002A
ANGLE TOLERANCE	Check by:		 NingBo KLS ELECTRONIC CO.,L TD.
X. ±5°	Date	2019-03-01	
.X ±3°	SHEET	1 OF 1	
.XX ±2°			