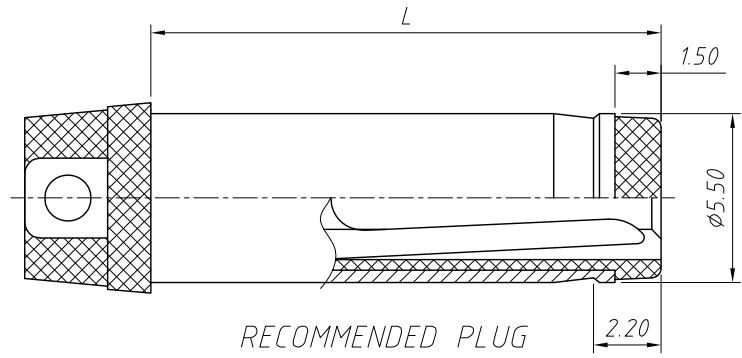
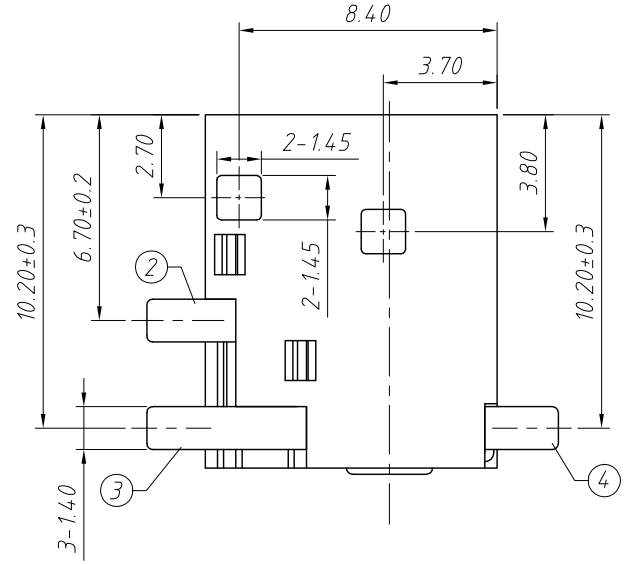
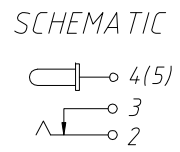



**SPECIFICATION**  
 Rated Load:DC 30V 2A  
 Contact resistance:30mΩ, max  
 Insulation resistance:100MΩ, min  
 Withstand Voltage:AC500V  
 Actuating Force:3-20N  
 Life:5000 cycles  
 Operating Temperature:-30°C-70°C



PIN	Ø2.0	Ø2.5
APPD		



NO.	Description	QTY	Material	Plating
5	PIN	1	Brass	Ni-Plating
4	Contact Foot	1	Brass	Ag-Plating
3	Curve Piece	1	Brass	Ag-Plating
2	Spring Piece	1	Bronze	Ag-Plating
1	Housing	1	PA9T	---

GENERAL TOLERANCE	PROJECTION	Description:
X. ±0.50	UNITS mm	30V 2A DC Jack SMT HORIZONTAL
.X ±0.25	SCALE 1:1	
.XX ±0.10	Draw by: Jenny	KLS P/N: L-KLS1-MDC-059
ANGLE TOLERANCE	Check by:	 NingBo KLS ELECTRONIC CO.,L TD.
X. ±5°	Date 2019-03-01	
.X ±3°	SHEET 1 OF 1	