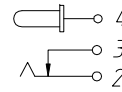
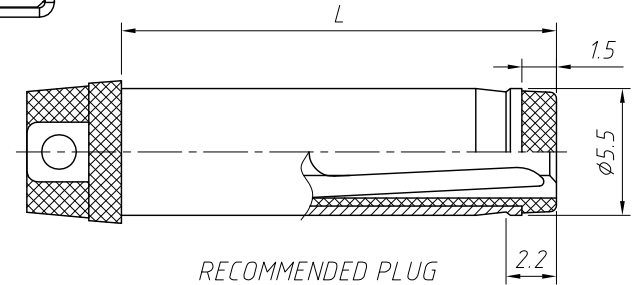
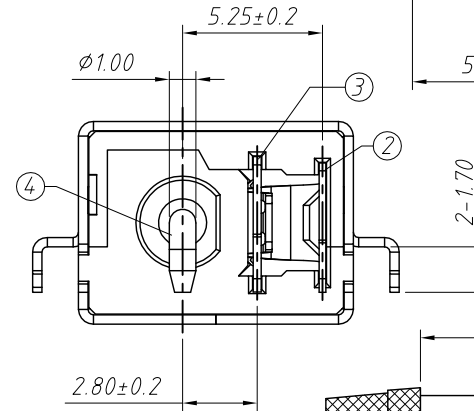
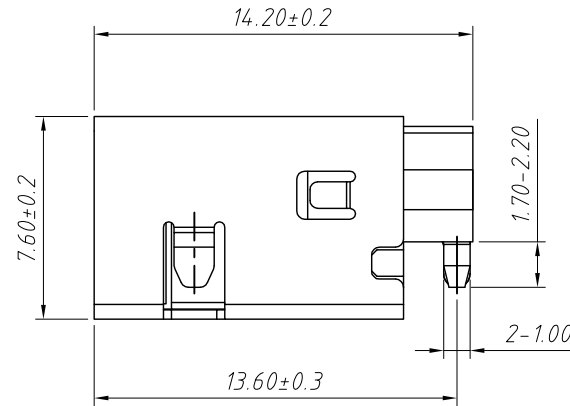
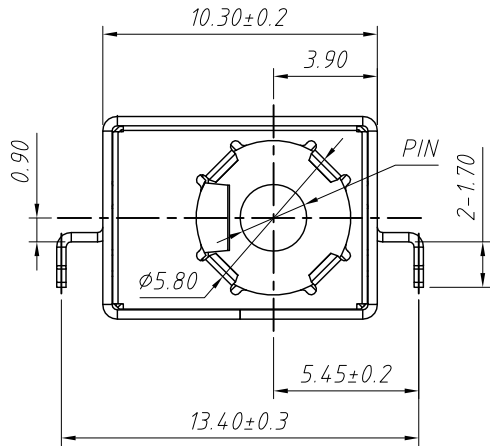
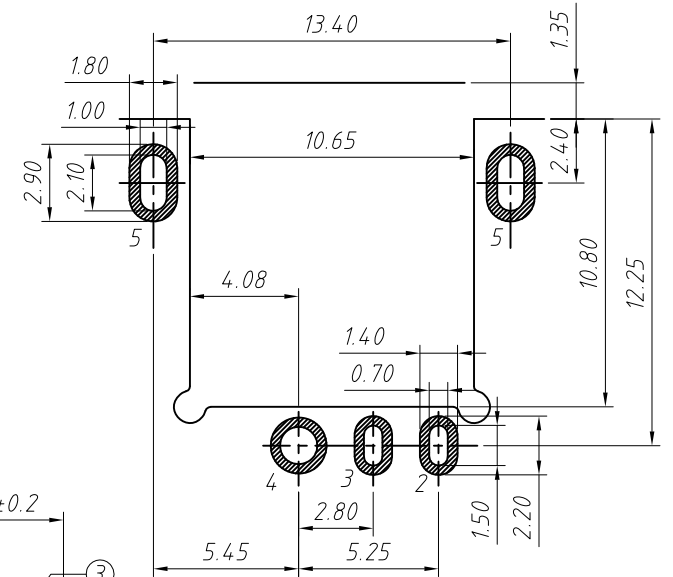


SCHMATIC



PIN	∅2.0	∅2.5
APPD		


PCB Layout Top View



NO.	Description	QTY	Material	Plating
1	Housing	1	LCP	---
2	Spring Piece	1	Bronze	Ag-Plating
3	Contact Foot	1	Brass	Ag-Plating
4	PIN	1	Brass	Au-Plating
5	Coat	1	Brass	Ni-Plating
6	Spring Piece	1	SUS301	---
7	Spring Piece	1	LCP	---

SPECIFICATION

Rated Load:DC 20V 5.5A  
 Contact resistance:30mΩ, max  
 Insulation resistance:100MΩ, min  
 Withstand Voltage:AC500V  
 Actuating Force:5-30N  
 Life:5000 cycles  
 Operating Temperature:-30°C-70°C

GENERAL TOLERANCE	PROJECTION	Symbol	Description:
.X ±0.50	UNITS	mm	20V 5.5A DC Jack Mid Mount 2.90mm
.X ±0.25	SCALE	1:1	
.XX ±0.10	Draw by:	Jenny	
ANGLE TOLERANCE	Check by:		KLS P/N: L-KLS1-MDC-047
.X ±5°	Date	2019-03-01	 NingBo KLS ELECTRONIC CO.,L TD.
.X ±3°	SHEET	1 OF 1	
.XX ±2°			