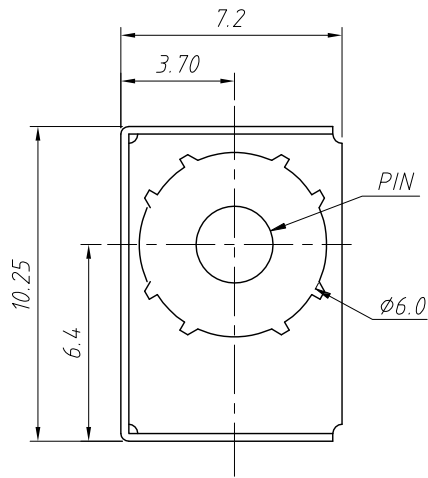
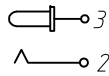
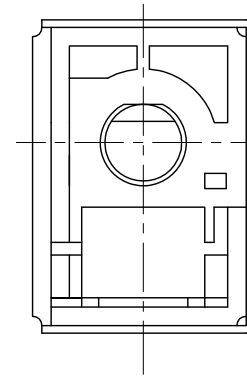
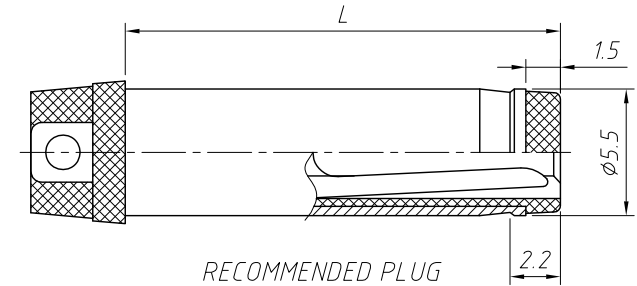
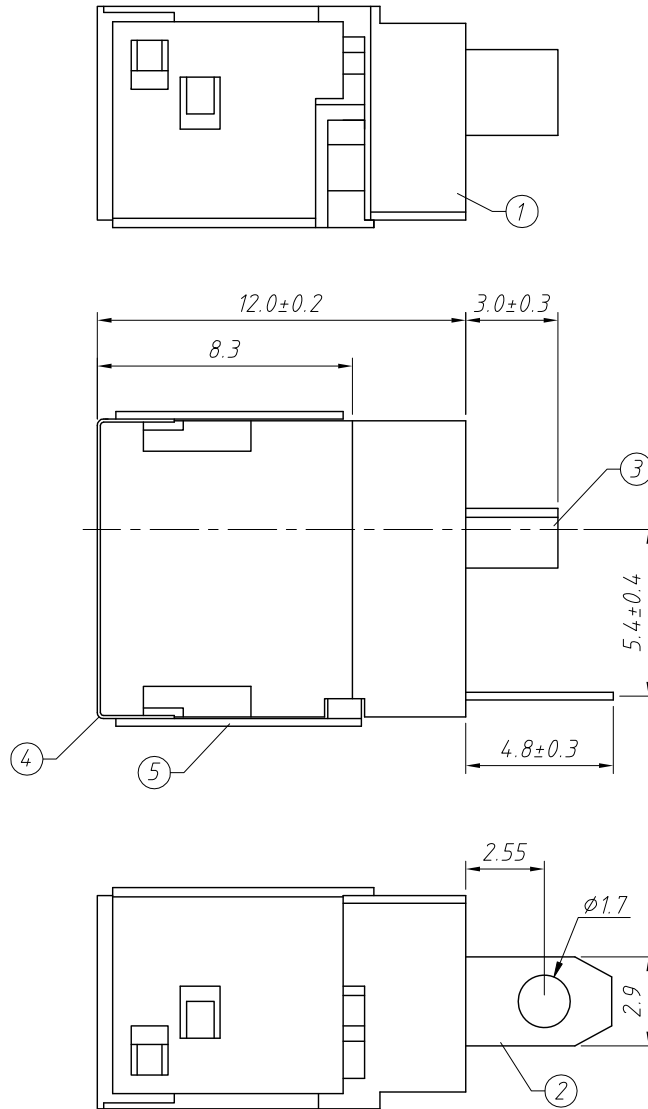


SCHEMATIC



PIN	φ2.0	φ2.5
APPD		



SPECIFICATION

Rated Load:DC 20V 7A
 Contact resistance:30mΩ, max
 Insulation resistance:100MΩ, min
 Withstand Voltage:AC500V
 Actuating Force:5-25N
 Life:5000 cycles
 Operating Temperature:-30°C-70°C

NO.	Description	QTY	Material	Plating
1	Housing	1	PPA	---
2	Spring Piece	1	Bronze	Ag-Plating
3	PIN	1	Brass	Ag-Plating
4	Coat	1	SUS301	Ni-Plating
5	Cover	1	Bronze	Ni-Plating

GENERAL TOLERANCE	PROJECTION		Description:
X. ±0.50	UNITS	mm	20V 7A DC Jack Solder
.X ±0.25	SCALE	1:1	
.XX ±0.10	Draw by:	Jenny	
ANGLE TOLERANCE	Check by:		KLS P/N: L-KLS1-MDC-044
X. ±5°	Date	2019-03-01	NingBo KLS ELECTRONIC CO.,L TD.
.X ±3°	SHEET	1 OF 1	
.XX ±2°			