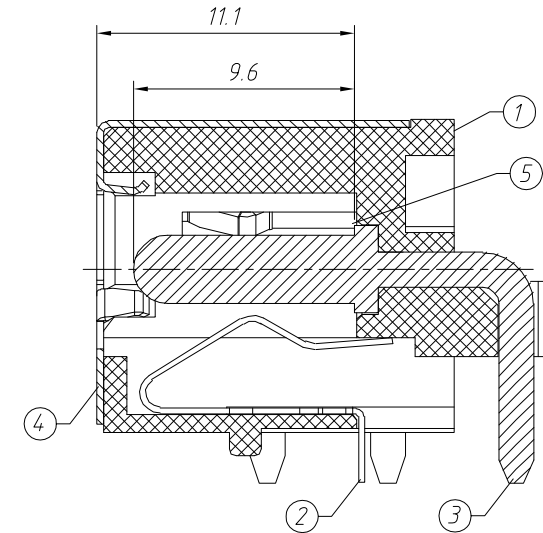
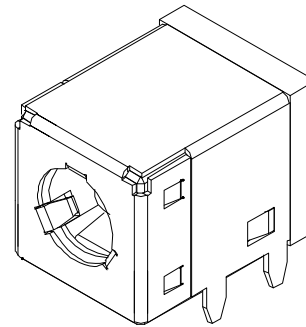
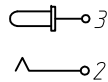


PIN	∅2.0	∅2.5
APPD		

SCHEMATIC



SPECIFICATION

Rated Load:DC 24V 10A
 Contact resistance:30mΩ, max
 Insulation resistance:100MΩ, min
 Withstand Voltage:AC500V
 Actuating Force:5-30N
 Life:5000 cycles
 Operating Temperature:-30°C-70°C

NO.	Description	QTY	Material	Plating
1	Housing	1	PA9T	---
2	Spring Piece	1	Bronze	Sn-Plating
3	PIN	1	Bronze	Ag-Plating
4	Coat	1	SPCC	Ni-Plating
5	Spring Piece	1	SUS301	Sn-Plating

GENERAL TOLERANCE	PROJECTION		Description:
X. ±0.50	UNITS	mm	24 V 10A DC Jack DIP
.X ±0.25	SCALE	1:1	
.XX ±0.10	Draw by:	Jenny	KLS P/N: L-KLS1-MDC-041
ANGLE TOLERANCE	Check by:		NingBo KLS ELECTRONIC CO.,L TD.
X. ±5°	Date	2019-03-01	
.X ±3° .XX ±2°	SHEET	1 OF 1	